

iStarUSA™

**D-Storm Series
Rackmount DVR
Chassis**

Guide Book



Table of Contents

2U Chassis

D-200	-----	5
D-200S	-----	6
D-200-FS	-----	7
D-200-PFS	-----	8
D-200A-T	-----	9
D-200-T	-----	10
D-200L	-----	11
D-200L-FS	-----	12
D-200L-T	-----	13
D-206	-----	14
D2-200	-----	15
D2-200L-M4SA	-----	16
D3-200L	-----	17
D4-200-FS	-----	18

3U Chassis

D-300	-----	21
D-300S5	-----	22
D-300A	-----	23
D-300AS	-----	24
D-300-FS	-----	25
D-300-PFS	-----	26
D-300L	-----	27
D-300L-FR	-----	28
D-300L-FS	-----	29
D2-300	-----	30
D2-300L-M6SA	-----	31
D3-300L	-----	32
D4-300-FS	-----	33

4U Chassis

D-400	-----	37
D-400-2P	-----	38
D-400-5	-----	39
D-400-6	-----	40
D-400-7	-----	41
D-400-7P	-----	42
D-400-8	-----	43
D-400A	-----	44
D-400A-6	-----	45
D-400-JB	-----	46
D-400-PTS8	-----	47
D-400L-7	-----	48
D-414	-----	49
D-414L-2P	-----	50
D-414L-7	-----	51
D-420L	-----	52
D2-400L-M10SA	-----	53
D3-400L	-----	54
D4-400-6	-----	55

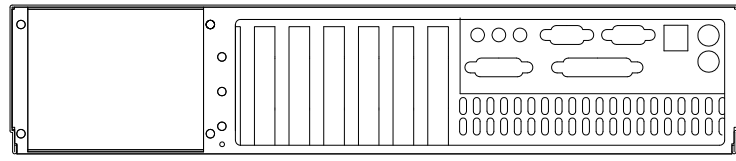
Product Overview	-----	56
------------------	-------	----

2U Chassis

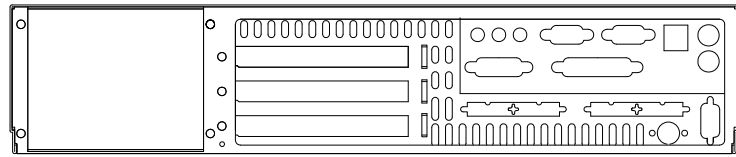


A | B | C | D | E | F | G

1

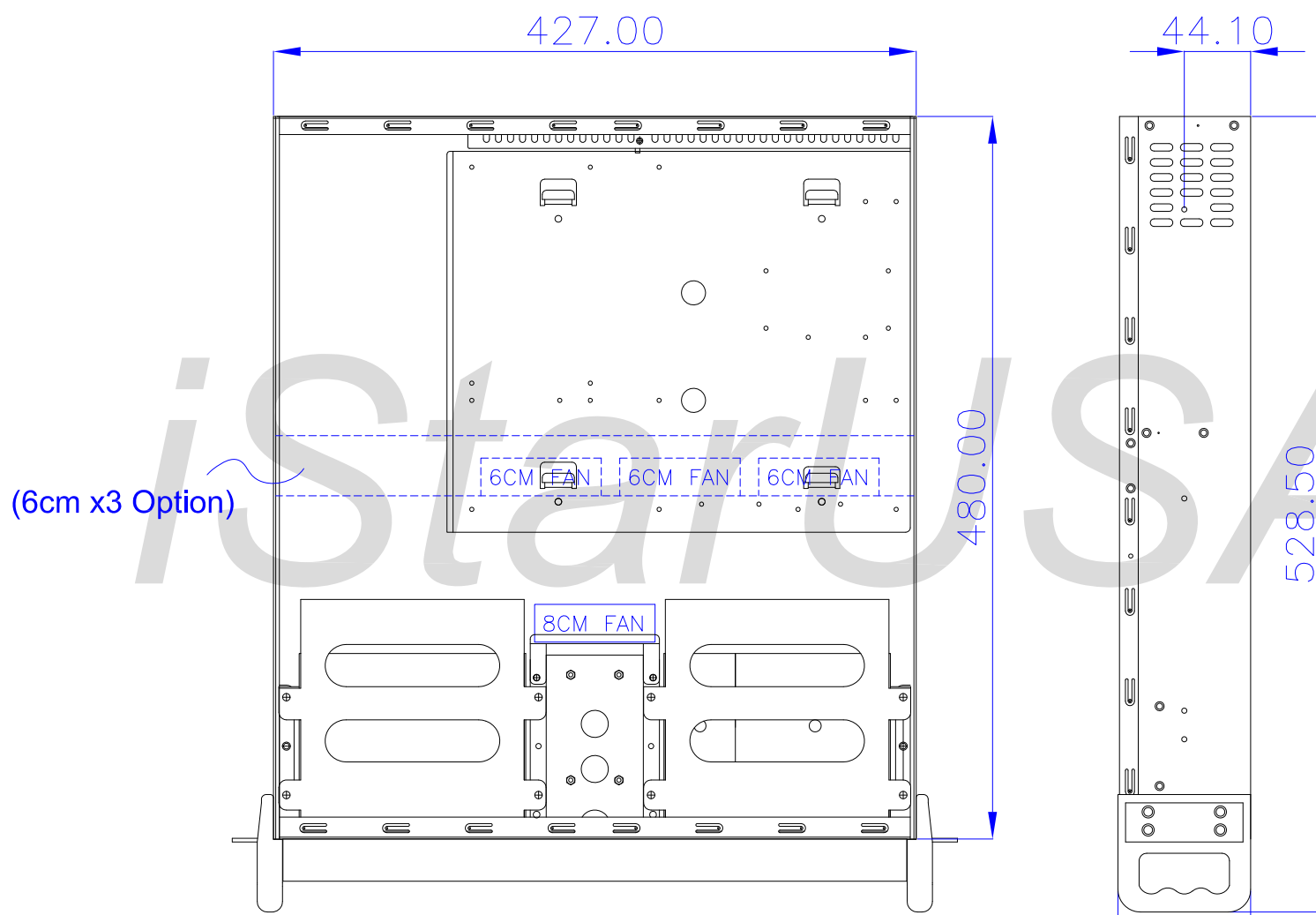


2



3

4

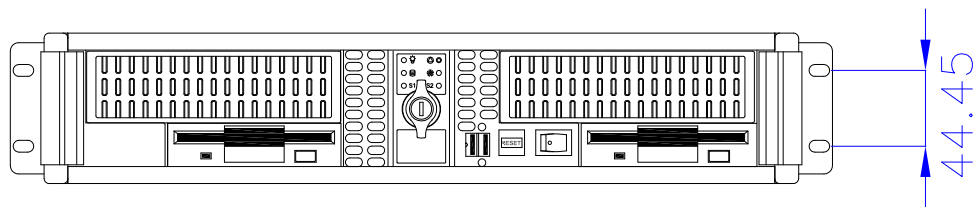


5

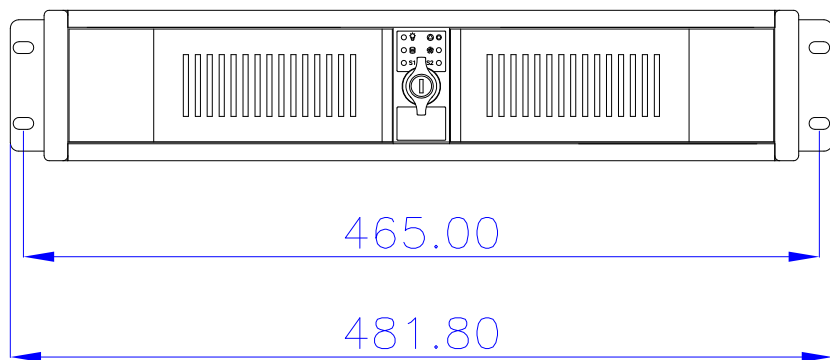
6

7

8



9



10

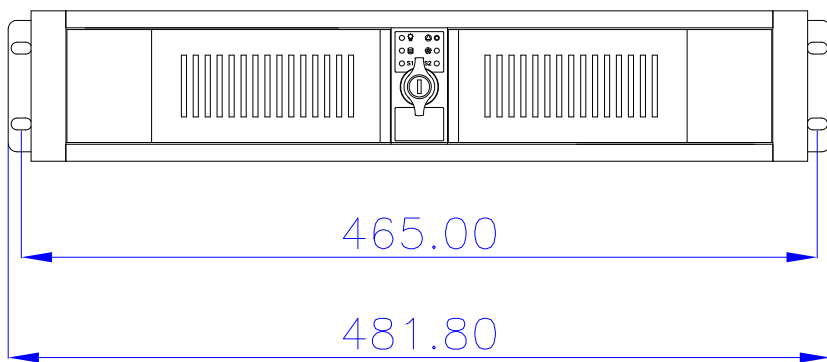
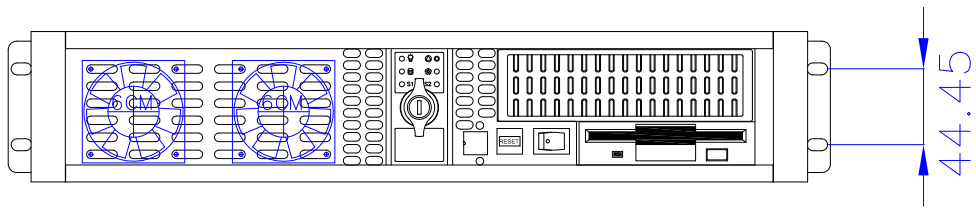
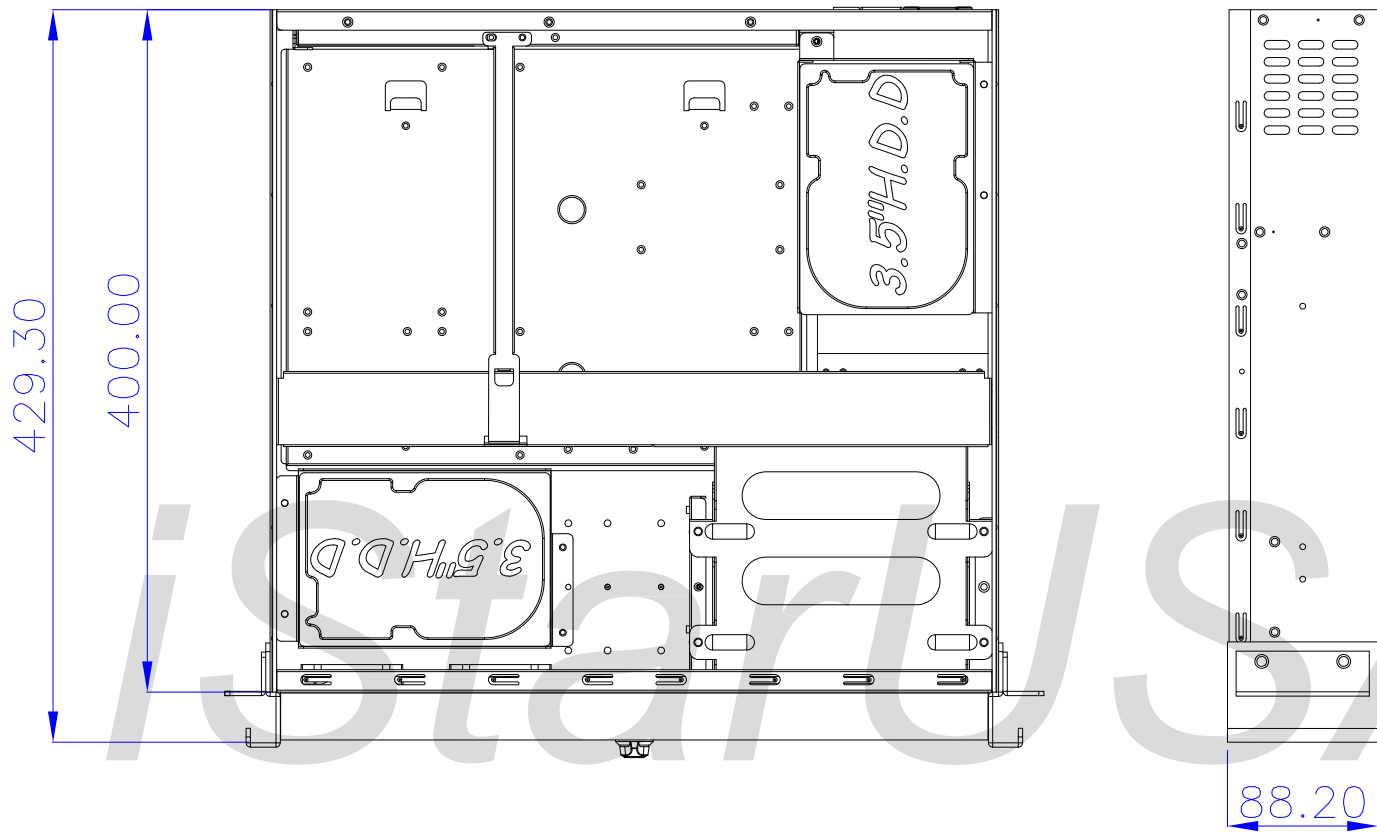
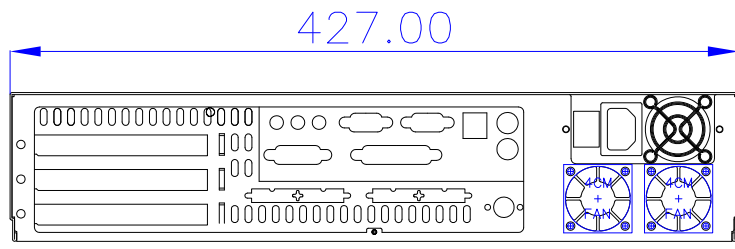
A | B | C | D | E | F | G

Model NO.	D-200	iStarUSA			
EXT	5.25" * 2 + 3.5" * 2	DATE	2008/09/10		
INT		PROJ			
M/B	12" * 9.6"	REV NO.	X	SCALE	1:1
SLOT	PCI*3 or PCI*2 + AGP*1	DRAWN	ANDY	UNIT	mm

A | B | C | D | E | F | G

1
2
3
4
5
6
7
8
9
10

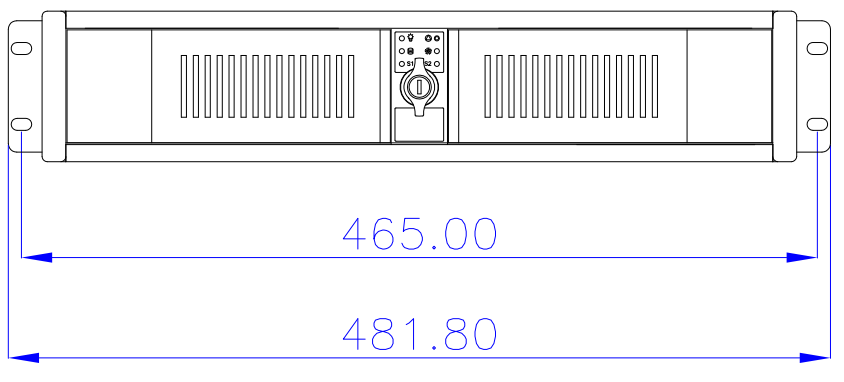
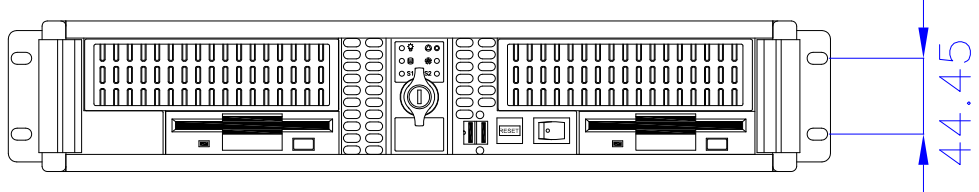
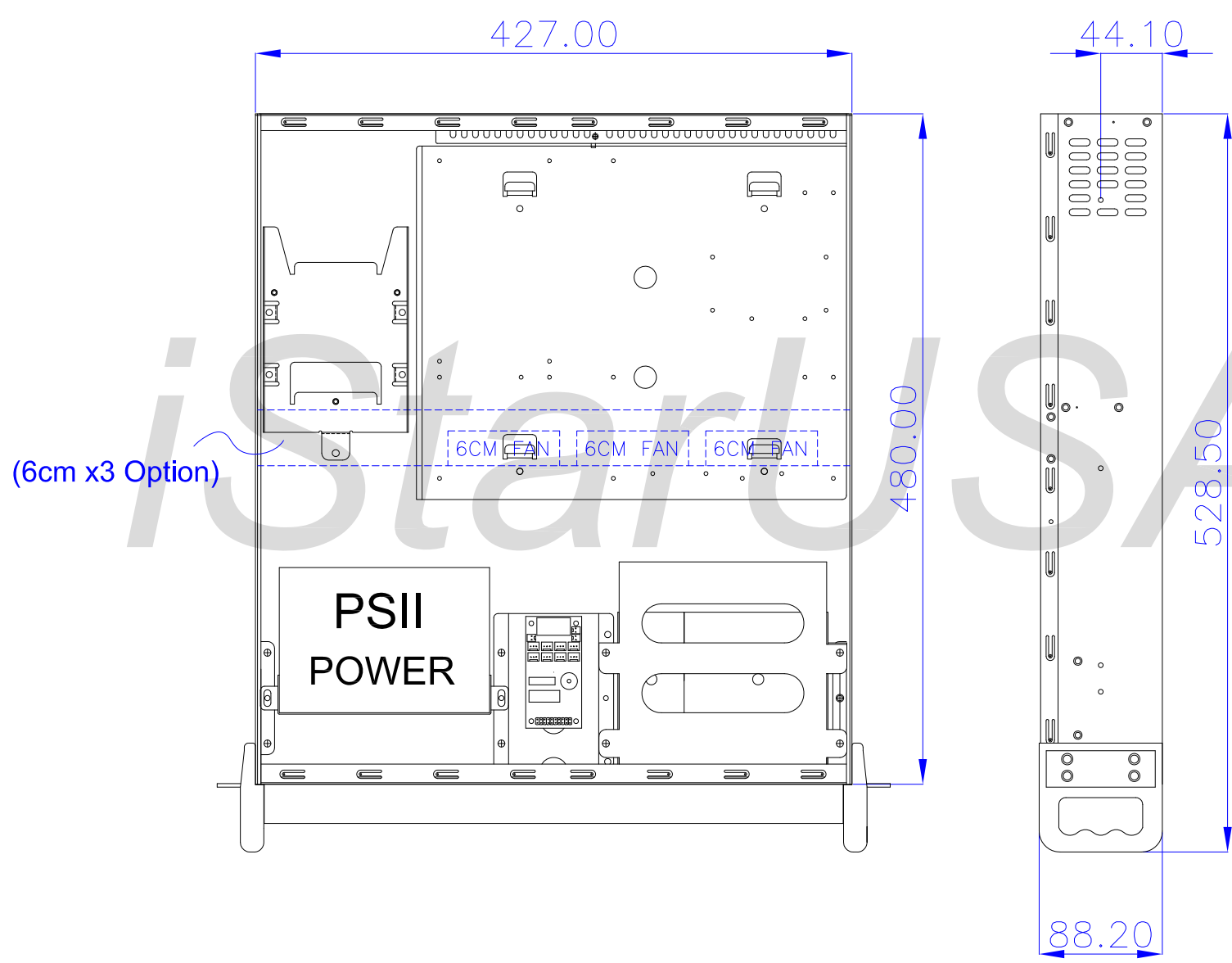
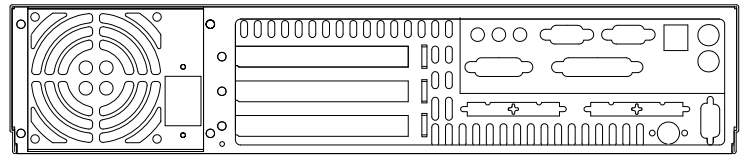
1
2
3
4
5
6
7
8
9
10



Model NO.	D-200S	iStarUSA			
EXT	5.25" *1 + 3.5" *1	DATE	2008/09/10		
INT	3.5" *3	PROJ			
M/B	12" * 9.6"	REV NO.	X	SCALE	1:1
SLOT	PCI*3 or PCI*2 + AGP*1	DRAWN	ANDY	UNIT	mm

A | B | C | D | E | F | G

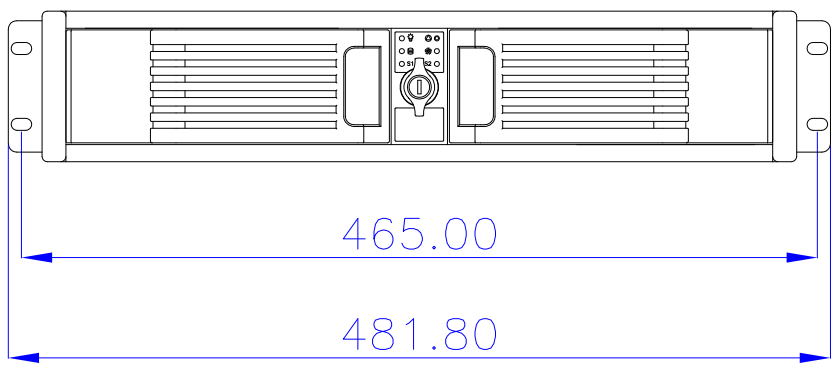
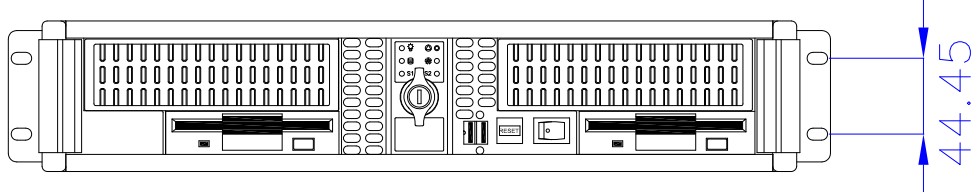
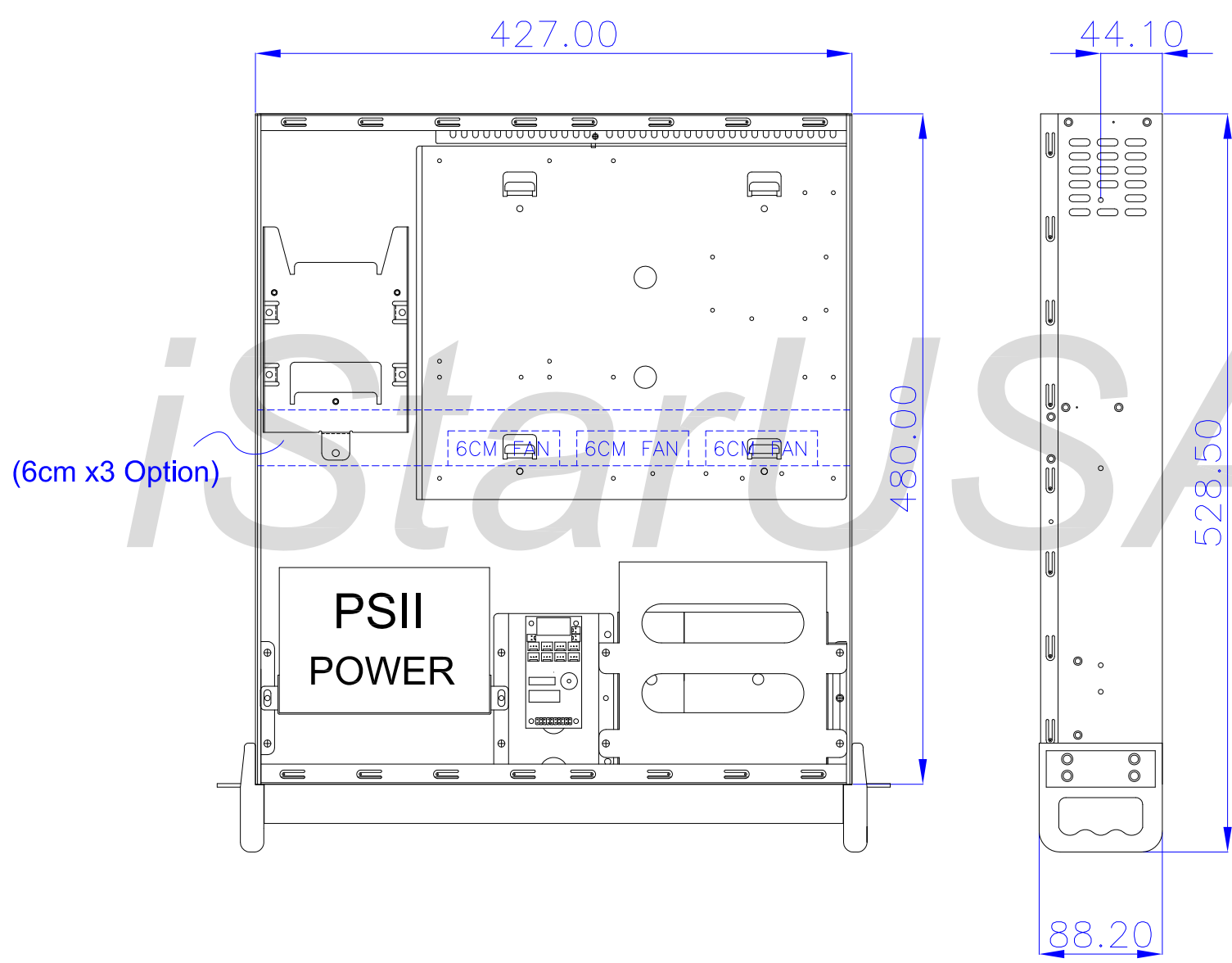
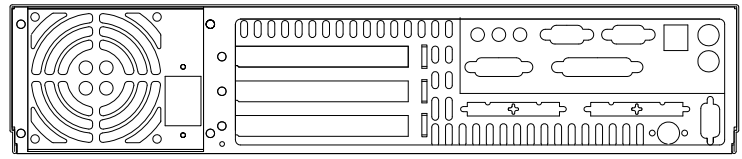
A | B | C | D | E | F | G



A | B | C | D | E | F | G

Model NO.	D-200-FS	iStarUSA			
EXT	5.25" *2 + 3.5" *2	DATE	2008/09/10		
INT	3.5" *2	PROJ			
M/B	12" * 9.6"	REV NO.	X	SCALE	1:1
SLOT	PCI*3 or PCI*2 + AGP*1	DRAWN	ANDY	UNIT	mm

A | B | C | D | E | F | G

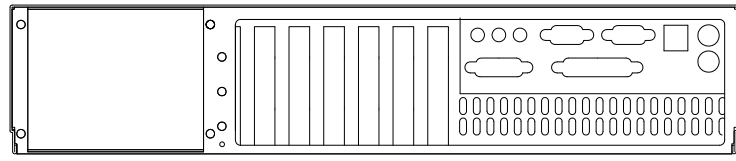


A | B | C | D | E | F | G

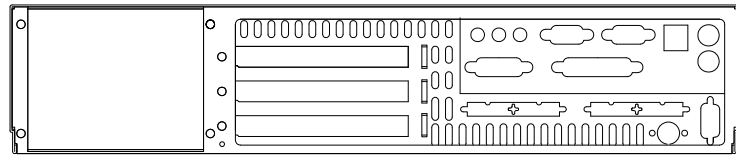
Model NO.	D-200-PFS	iStarUSA			
EXT	5.25" *2 + 3.5" *2	DATE	2008/09/10		
INT	3.5" *2	PROJ			
M/B	12" * 9.6"	REV NO.	X	SCALE	1:1
SLOT	PCI*3 or PCI*2 + AGP*1	DRAWN	ANDY	UNIT	mm

A | B | C | D | E | F | G

1

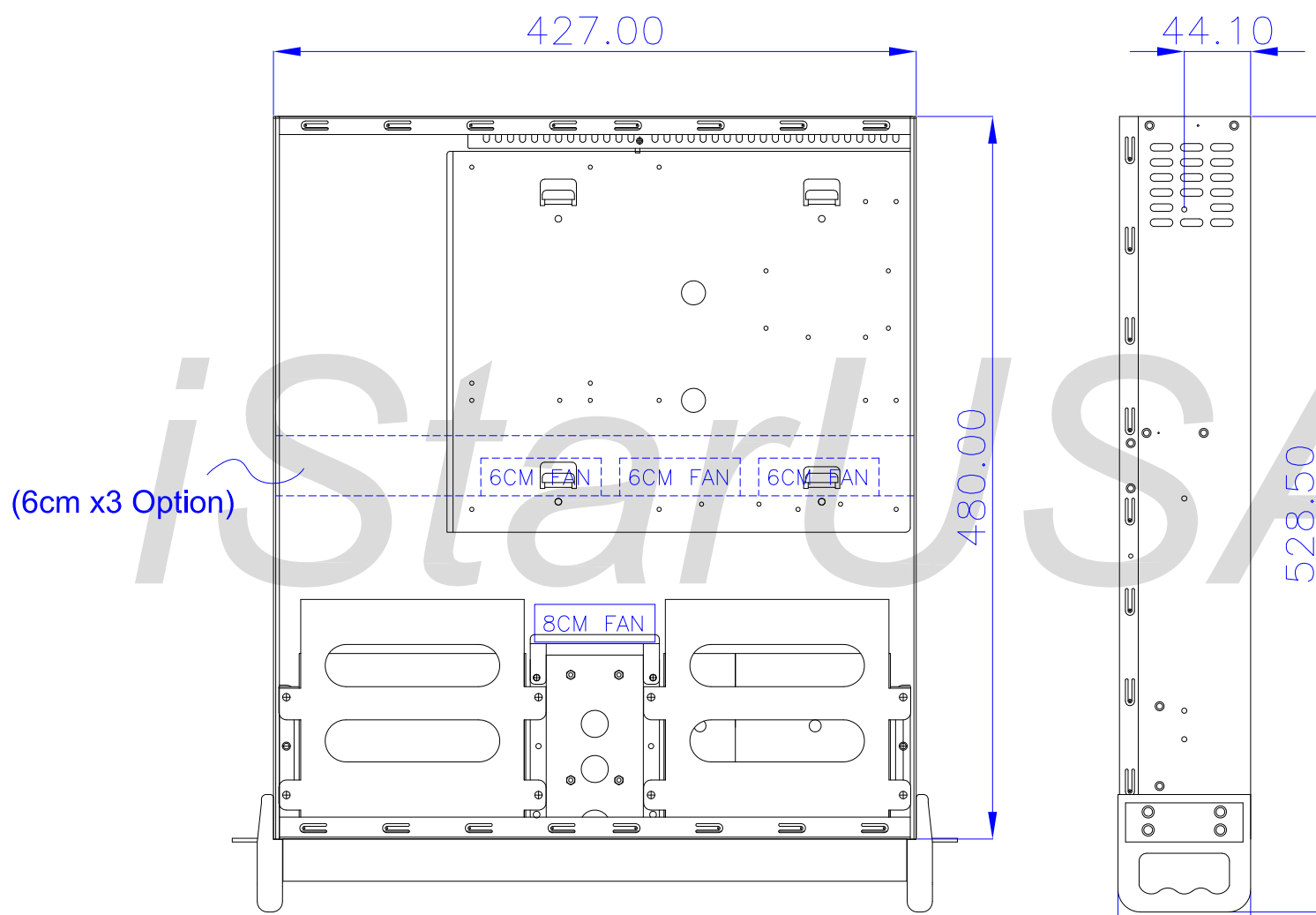


2



3

4

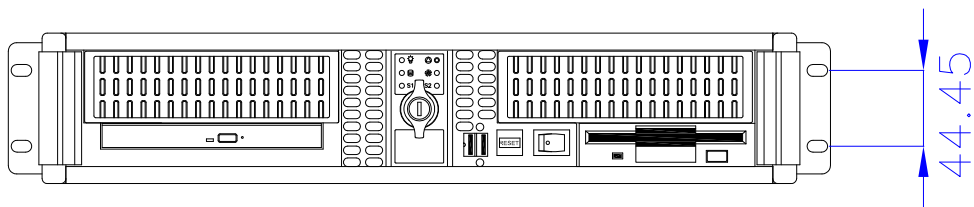


5

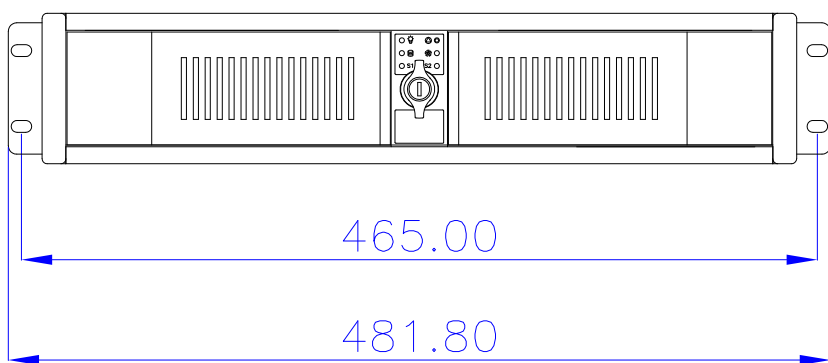
6

7

8



9



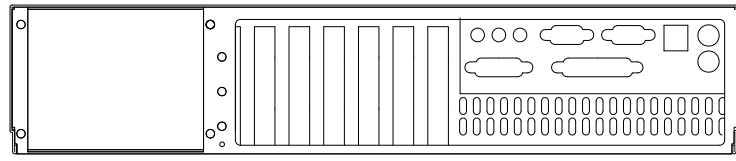
10

A | B | C | D | E | F | G

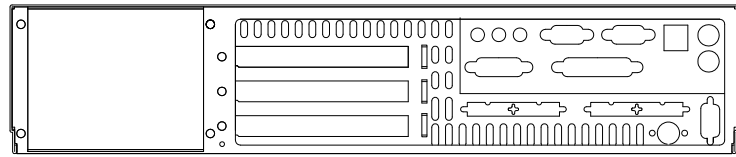
Model NO.	D-200A-T	iStarUSA			
EXT	5.25" *2 + 3.5" *1 + SlimCD*1	DATE	2008/09/10		
INT		PROJ	⊕ ⊖		
M/B	12" * 9.6"	REV NO.	X	SCALE	1:1
SLOT	PCI*3 or PCI*2 + AGP*1	DRAWN	ANDY	UNIT	mm

A | B | C | D | E | F | G

1

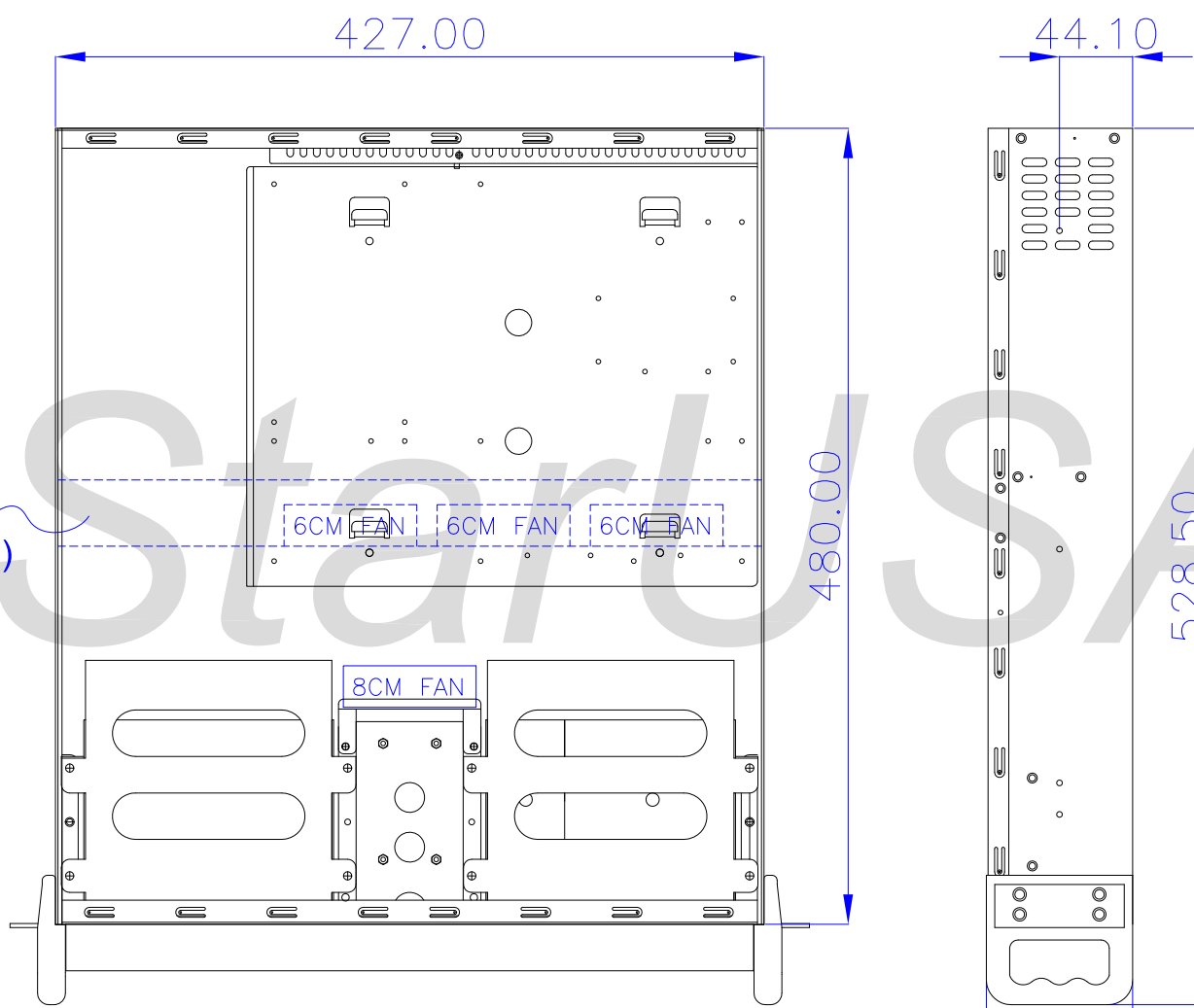


2



3

4

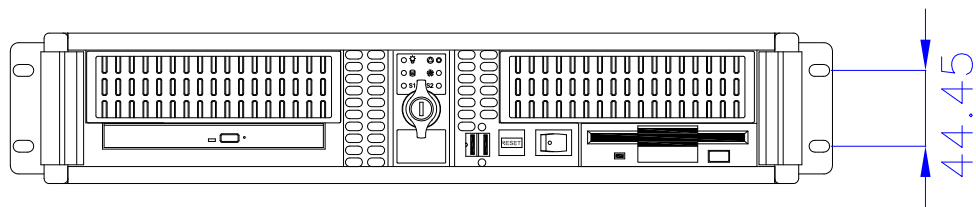


5

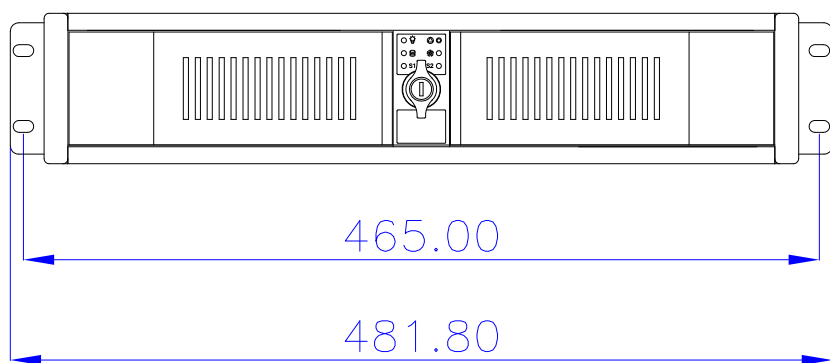
6

7

8



9



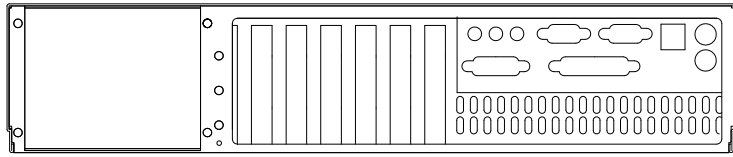
10

A | B | C | D | E | F | G

Model NO.	D-200-T	iStarUSA			
EXT	5.25" *2 + 3.5" *1 + SlimCD*1	DATE	2008/09/10		
INT		PROJ			
M/B	12" * 9.6"	REV NO.	X	SCALE	1:1
SLOT	PCI*3 or PCI*2 + AGP*1	DRAWN	ANDY	UNIT	mm

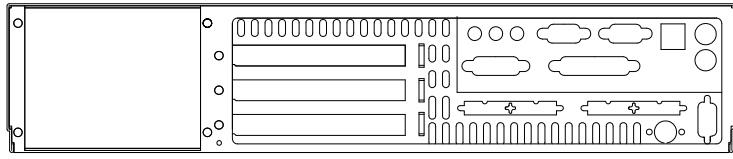
A B C D E F G

1



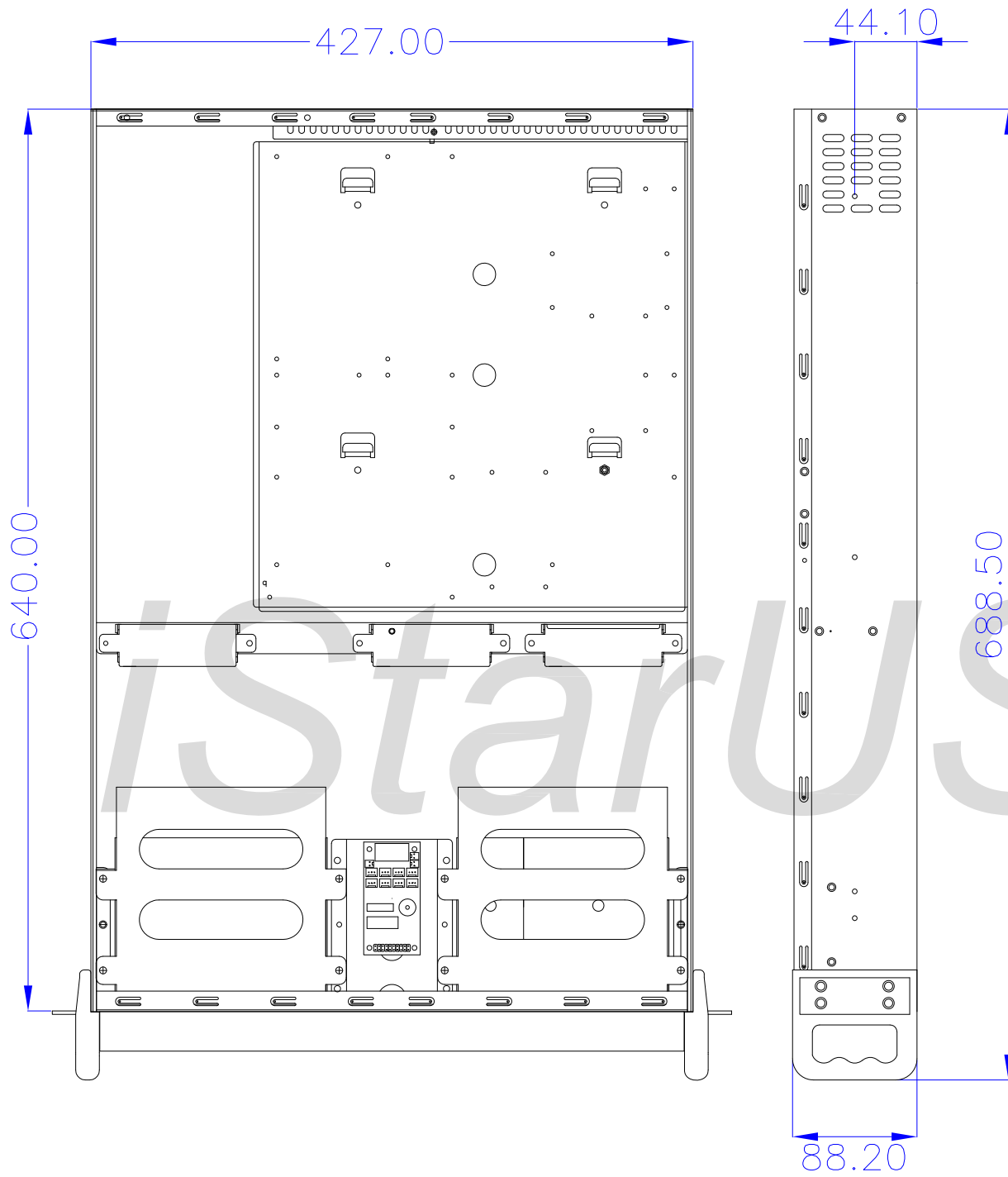
1

2



2

3



3

4

4

5

5

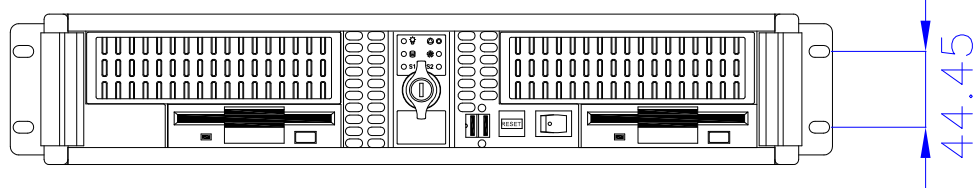
6

6

7

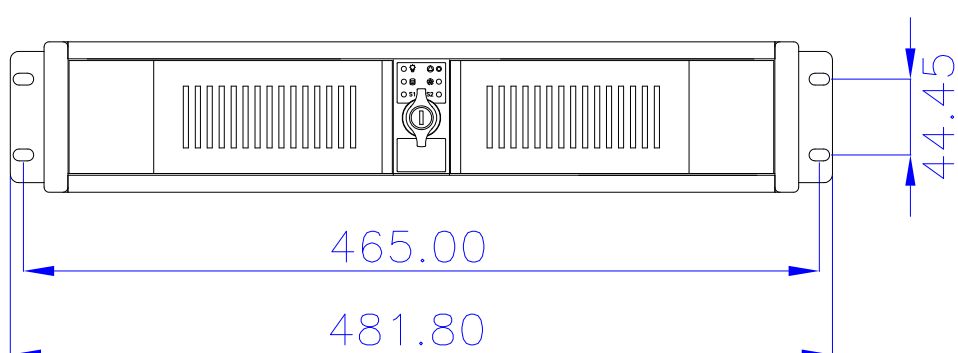
7

8



8

9



9

10

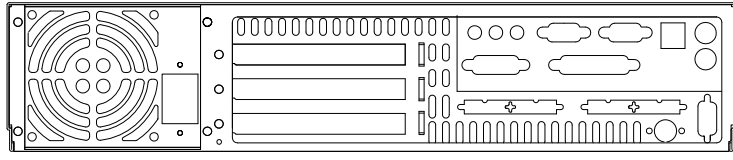
10

A B C D E F G

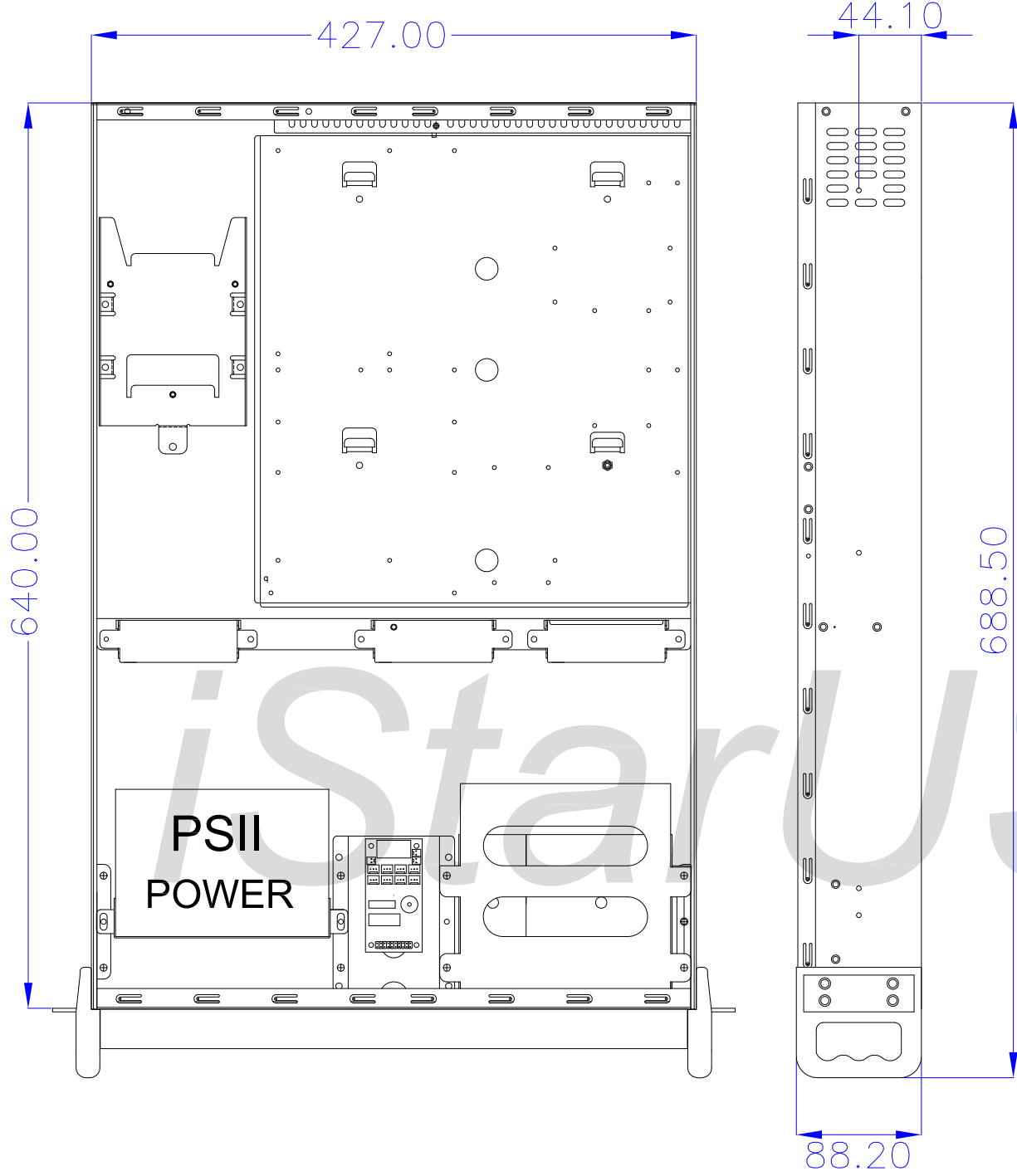
Model NO.	D-200L	iStarUSA			
EXT	5.25" *2 + 3.5" *2	DATE	2008/09/10		
INT		PROJ			
M/B	12" * 13"	REV NO.	X	SCALE	1:1
SLOT	PCI*3 or PCI*2 + AGP*1	DRAWN	ANDY	UNIT	mm

A B C D E F G

1



2



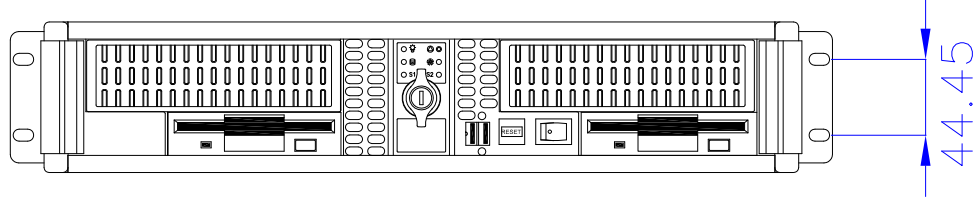
3

4

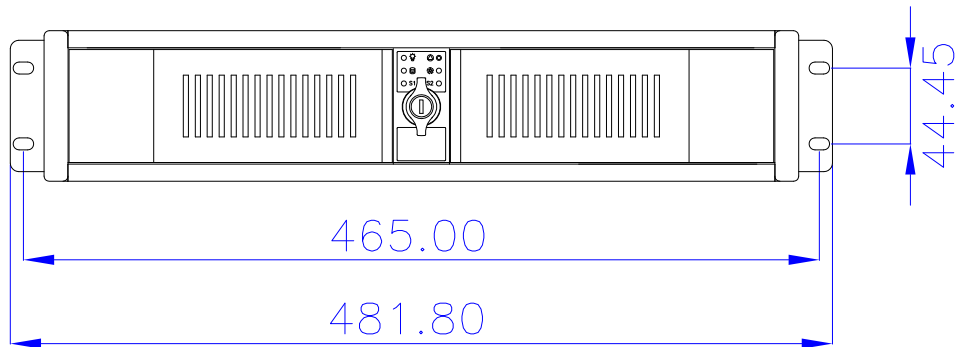
5

6

7



8



9

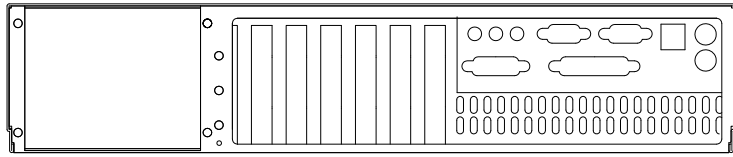
10

A B C D E F G

Model NO.	D-200L-FS	iStarUSA			
EXT	5.25" *2 + 3.5" *2	DATE	2008/09/10		
INT	3.5" *2	PROJ			
M/B	12" * 13"	REV NO.	X	SCALE	1:1
SLOT	PCI*3 or PCI*2 + AGP*1	DRAWN	ANDY	UNIT	mm

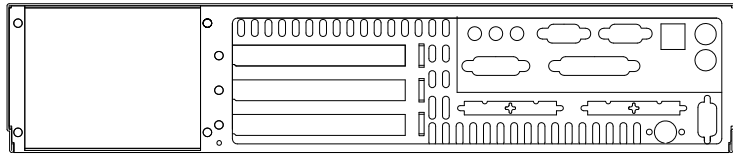
A B C D E F G

1



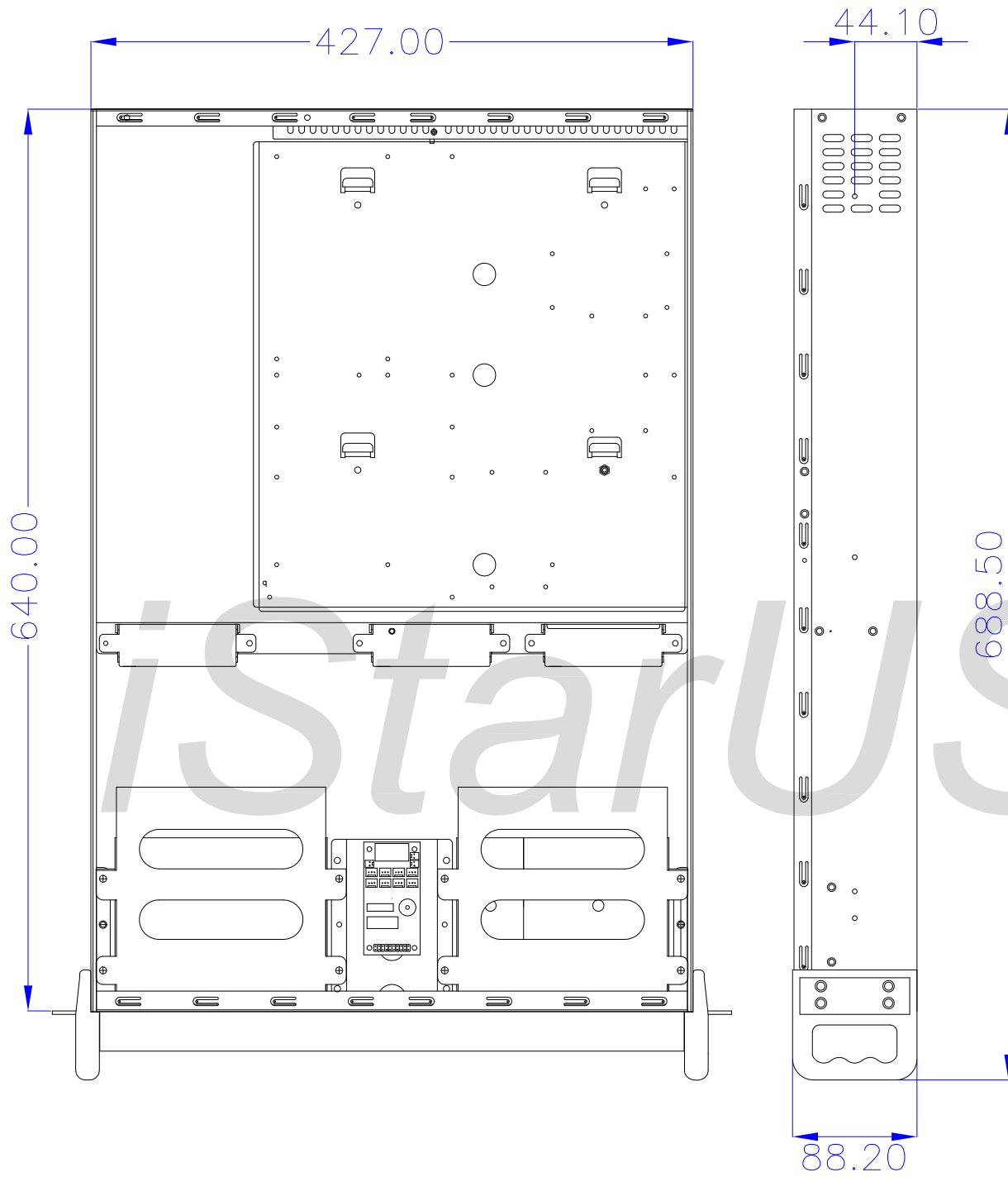
1

2



2

3



3

4

4

5

5

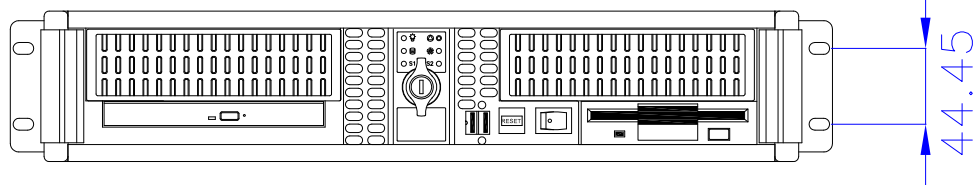
6

6

7

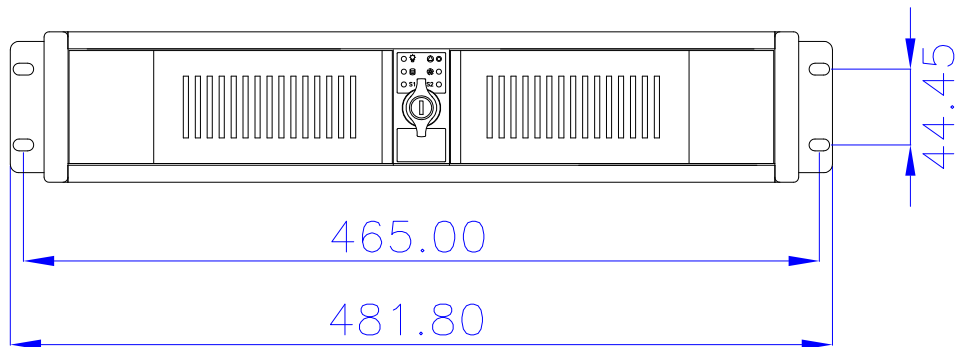
7

8



8

9



9

10

10

A B C D E F G

Model NO.	D-200L-T	iStarUSA			
EXT	5.25" * 2 + 3.5" * 1 + SlimCD*1	DATE	2008/09/10		
INT		PROJ			
M/B	12" * 13"	REV NO.	X	SCALE	1:1
SLOT	PCI*3 or PCI*2 + AGP*1	DRAWN	ANDY	UNIT	mm

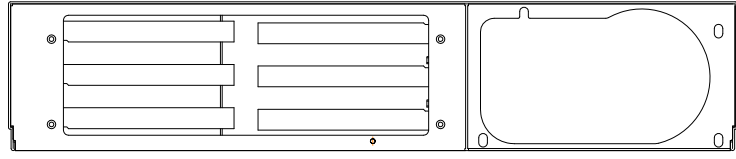
A | B | C | D | E | F | G

1

1

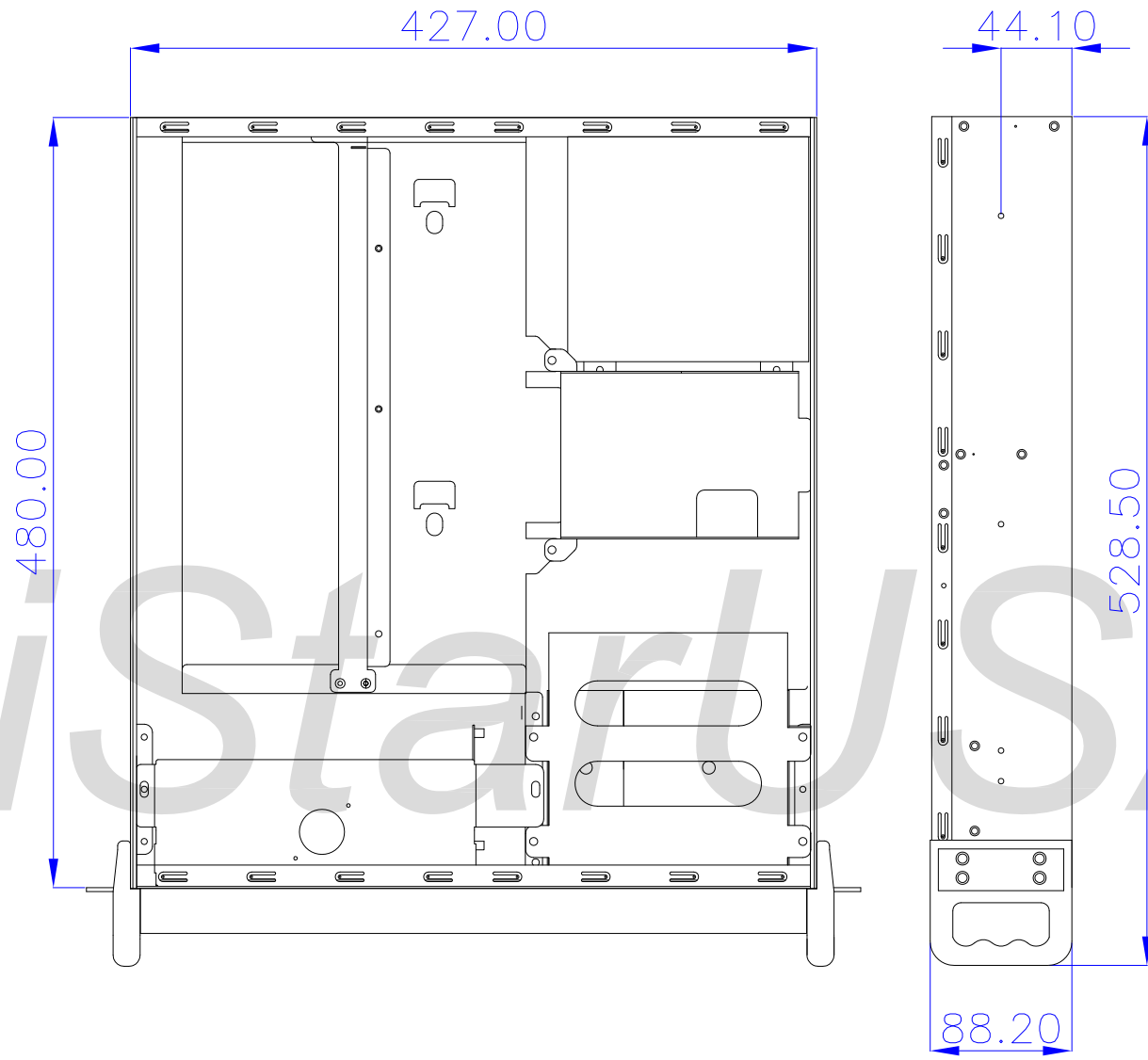
2

2



3

3



4

4

5

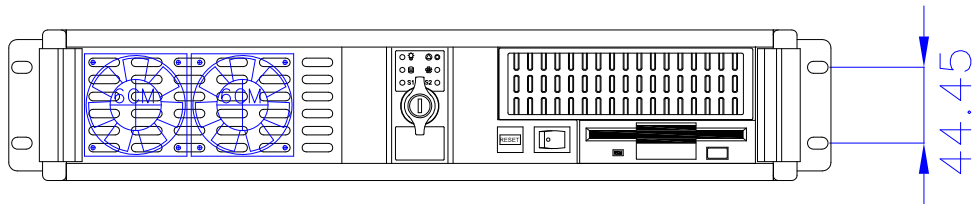
5

6

6

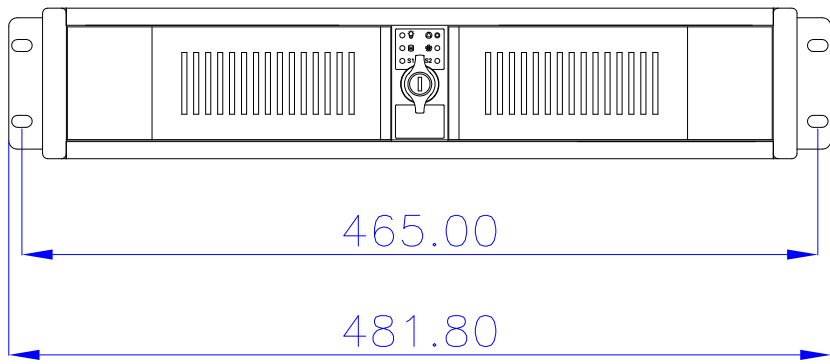
7

7



8

8



9

9

10

10

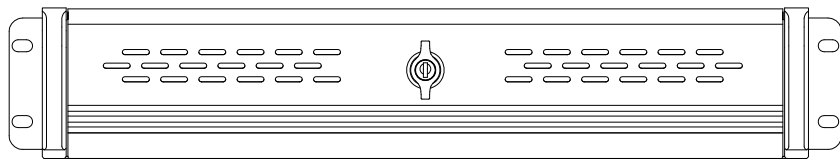
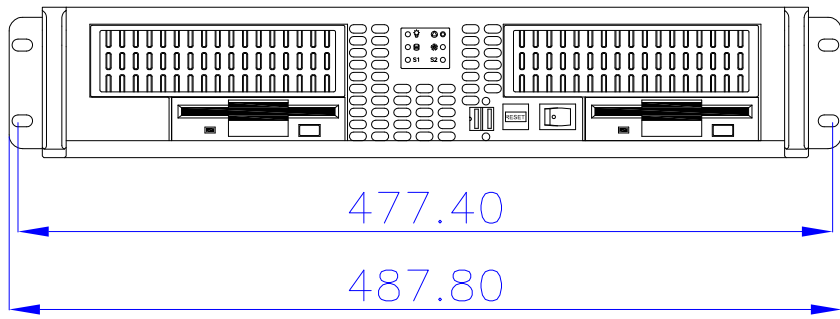
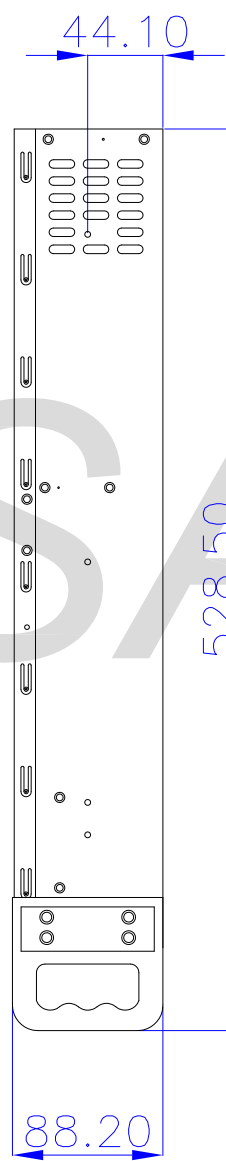
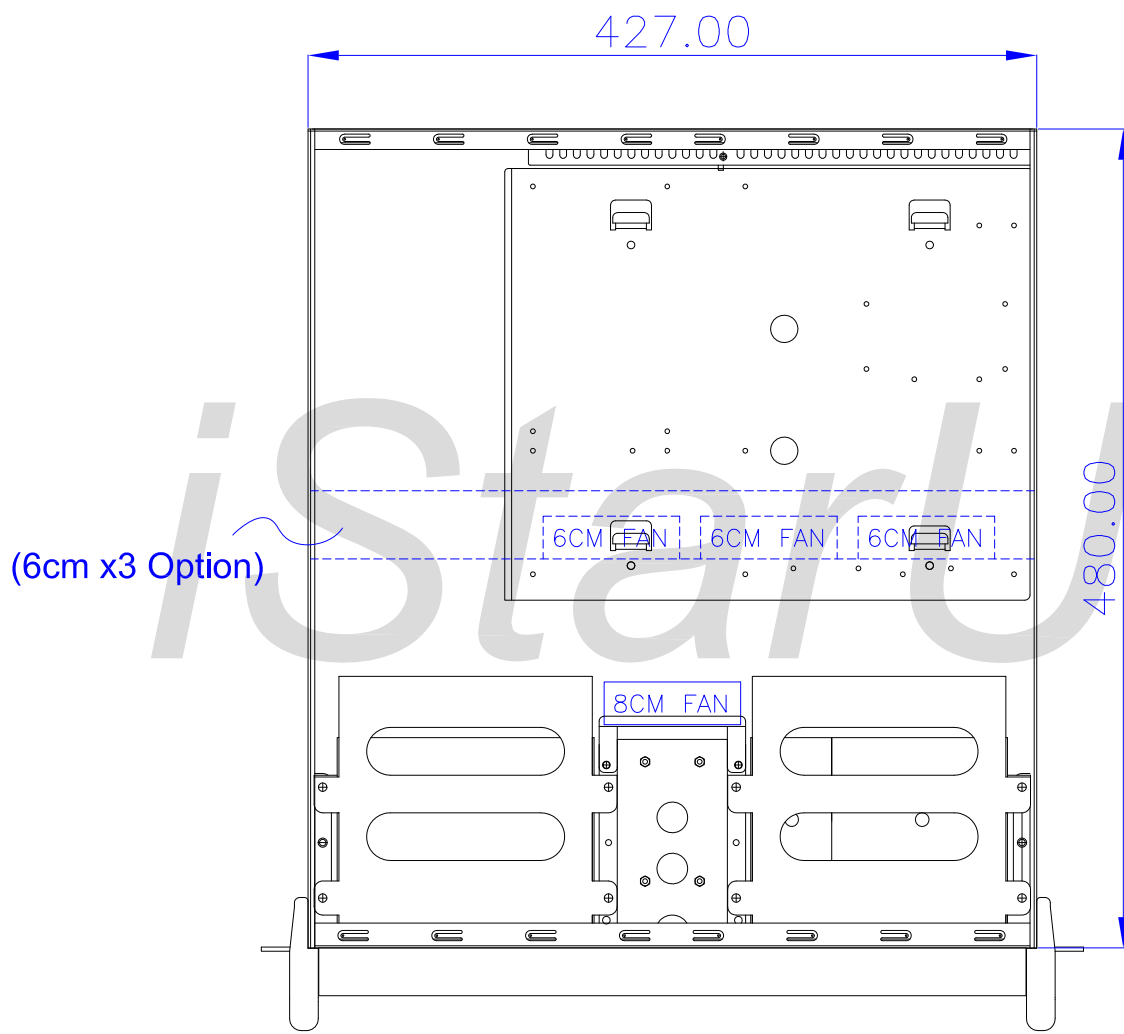
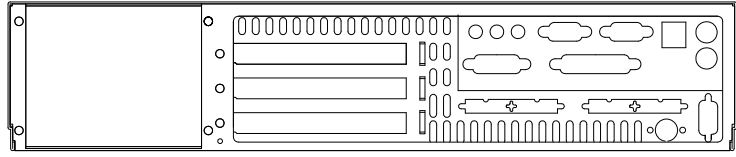
A | B | C | D | E | F | G

Model NO.	D-206	iStarUSA			
EXT	5.25" *1 + 3.5" *1	DATE	2008/09/10		
INT	3.5" *1	PROJ			
M/B	IPC Backplane	REV NO.	X	SCALE	1:1
SLOT	PCI*3 + ISA*3	DRAWN	ANDY	UNIT	mm

A | B | C | D | E | F | G

1
2
3
4
5
6
7
8
9
10

1
2
3
4
5
6
7
8
9
10



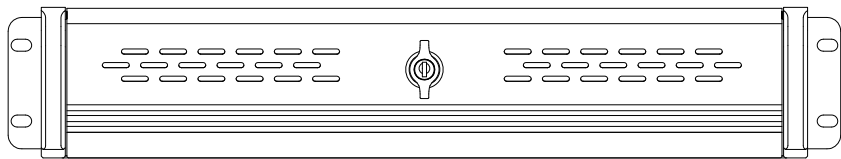
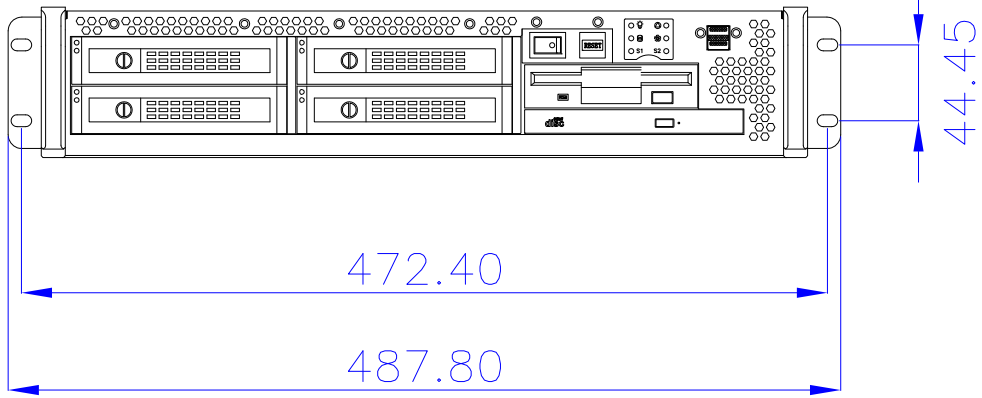
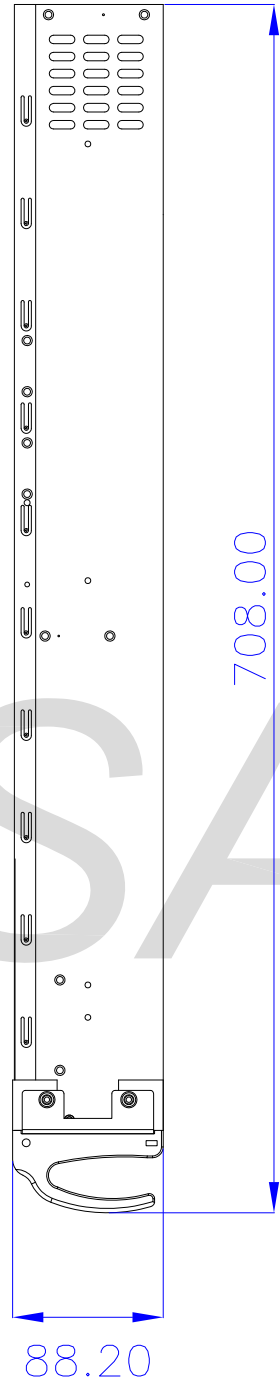
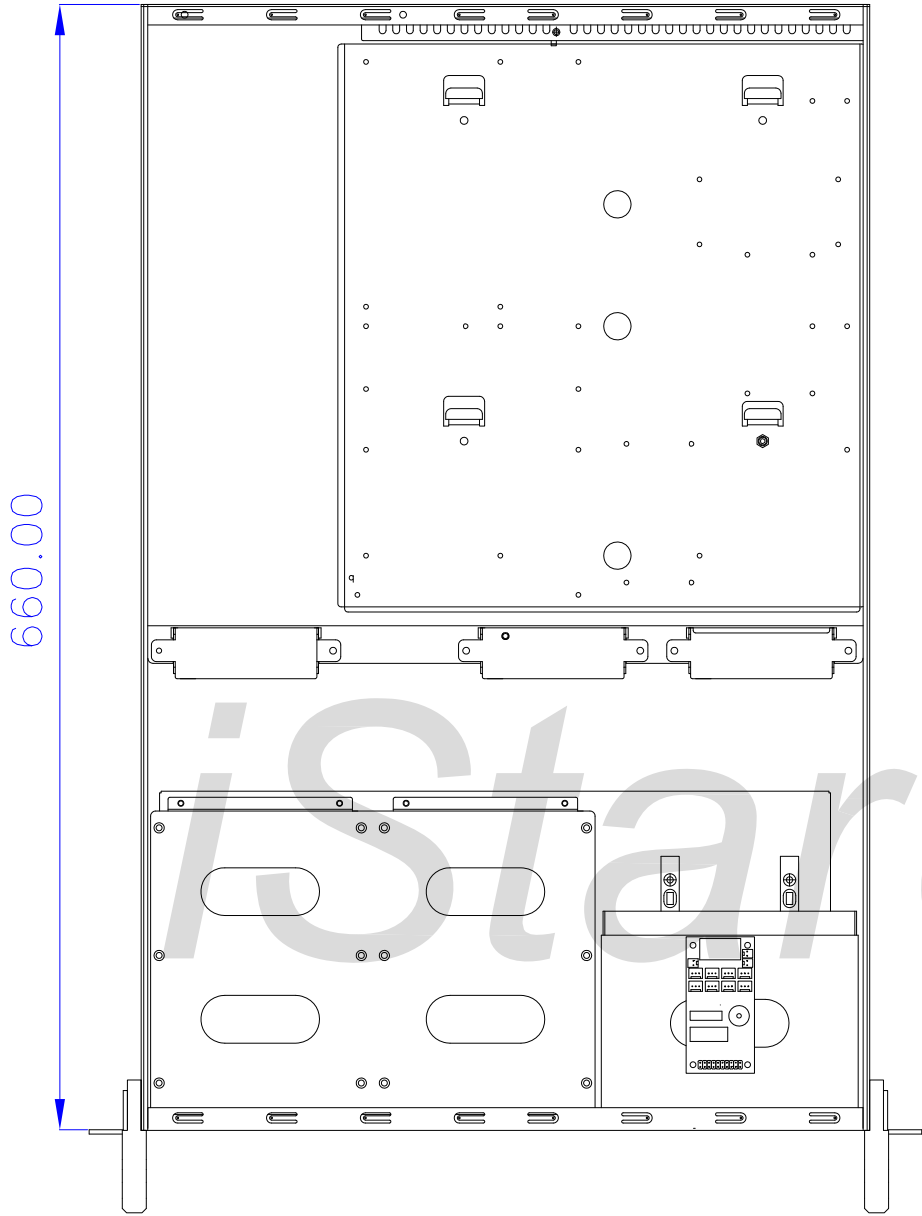
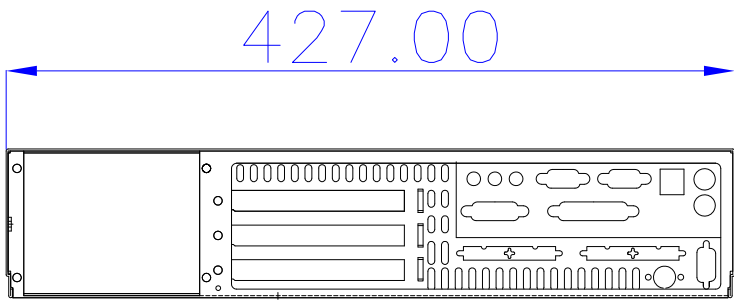
Model NO.	D2-200	iStarUSA			
EXT	5.25" * 2 + 3.5" * 2	DATE	2008/09/10		
INT		PROJ			
M/B	12" * 9.6"	REV NO.	X	SCALE	1:1
SLOT	PCI*3 or PCI*2 + AGP*1	DRAWN	ANDY	UNIT	mm

A | B | C | D | E | F | G

A B C D E F G

1
2
3
4
5
6
7
8
9
10

1
2
3
4
5
6
7
8
9
10



Model NO.	D2-200L-M4SA	iStarUSA			
EXT	3.5" *1 + SlimCD*1 + Hot-Swap *4	DATE	2008/09/10		
INT		PROJ			
M/B	12" * 13"	REV NO.	X	SCALE	1:1
SLOT	PCI*3 or PCI*2 + AGP*1	DRAWN	ANDY	UNIT	mm

A B C D E F G

A B C D E F G

1

2

3

4

5

6

7

8

9

10

1

2

3

4

5

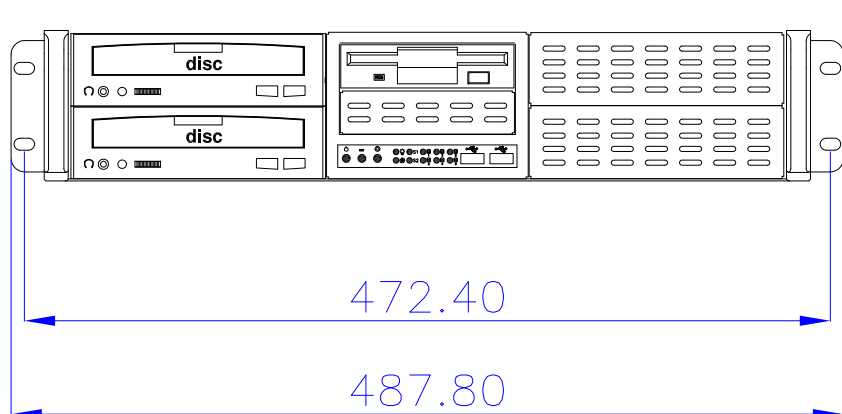
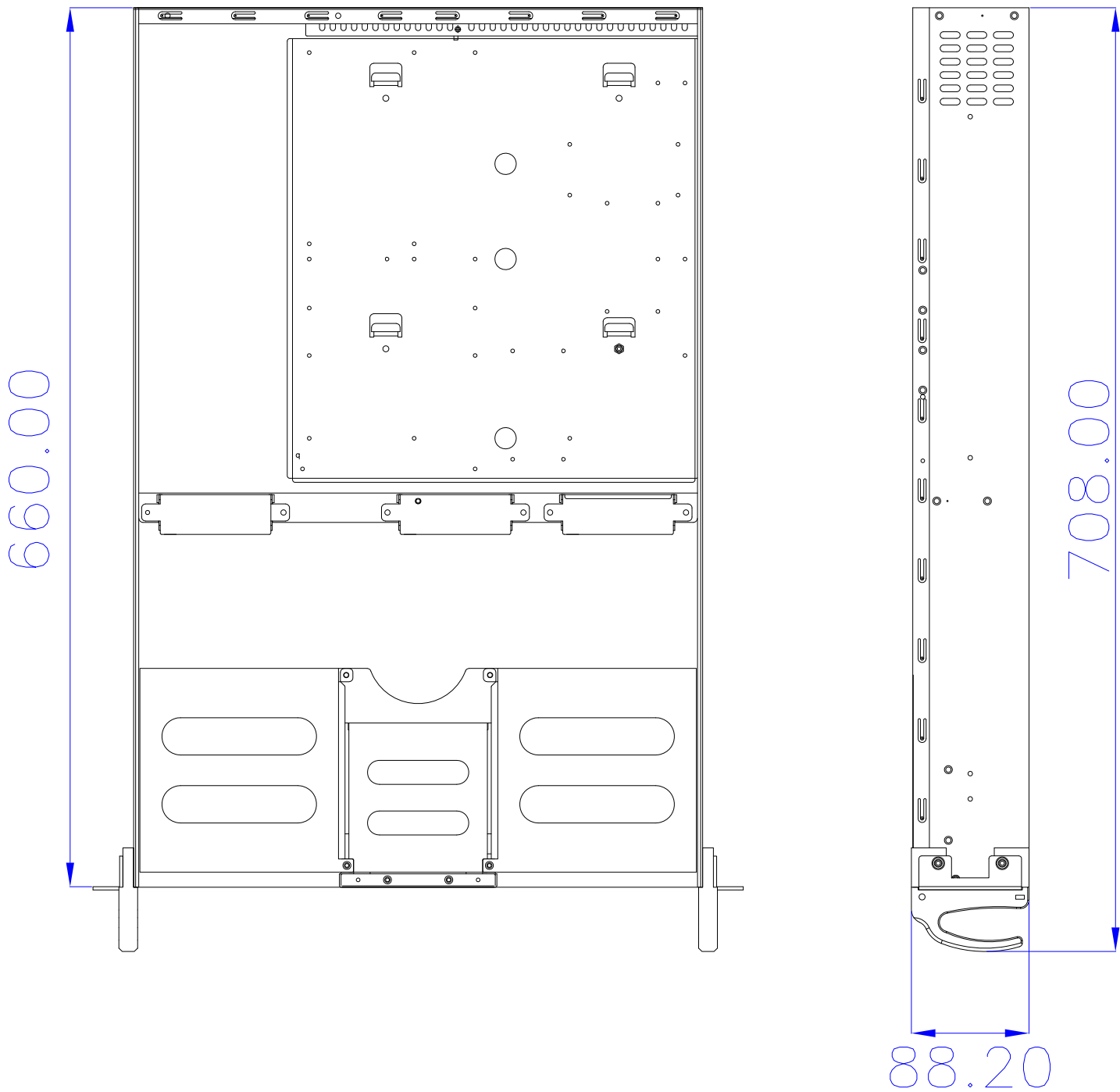
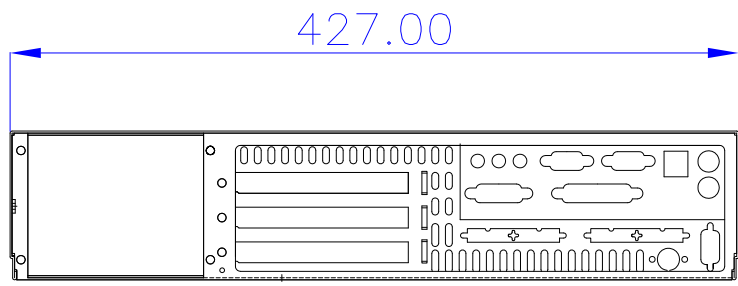
6

7

8

9

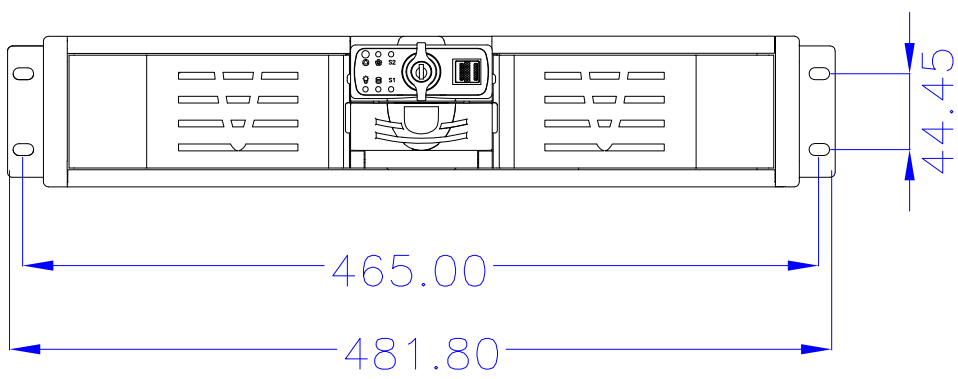
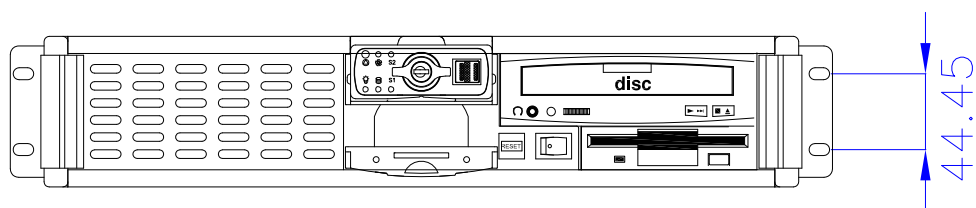
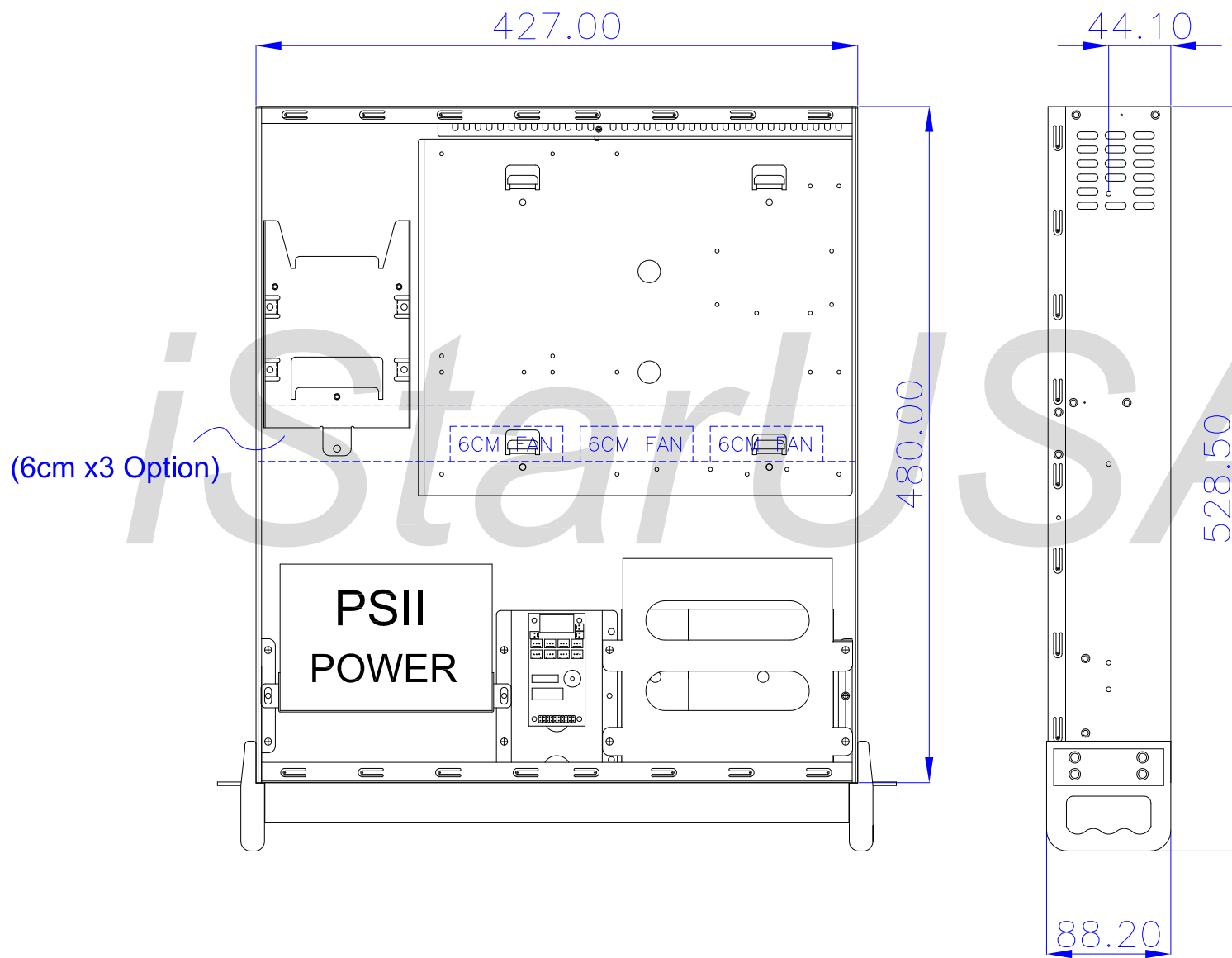
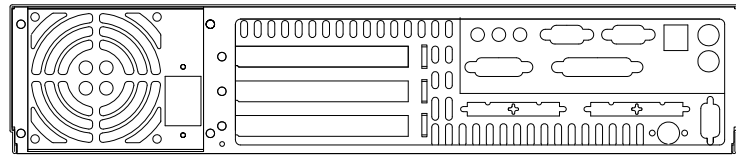
10



Model NO.	D3-200L	iStarUSA			
EXT	5.25" * 4 + 3.5" * 2	DATE	2008/09/10		
INT		PROJ	⊕ ⊖		
M/B	12" * 9.6"	REV NO.	X	SCALE	1:1
SLOT	PCI*3 or PCI*2 + AGP*1	DRAWN	ANDY	UNIT	mm

A B C D E F G

A | B | C | D | E | F | G



Model NO.	D4-200-FS	iStarUSA			
EXT	5.25" *2 + 3.5" *2	DATE	2008/09/10		
INT	3.5" *2	PROJ			
M/B	12" * 9.6"	REV NO.	X	SCALE	1:1
SLOT	PCI*3 or PCI*2 + AGP*1	DRAWN	ANDY	UNIT	mm

A | B | C | D | E | F | G

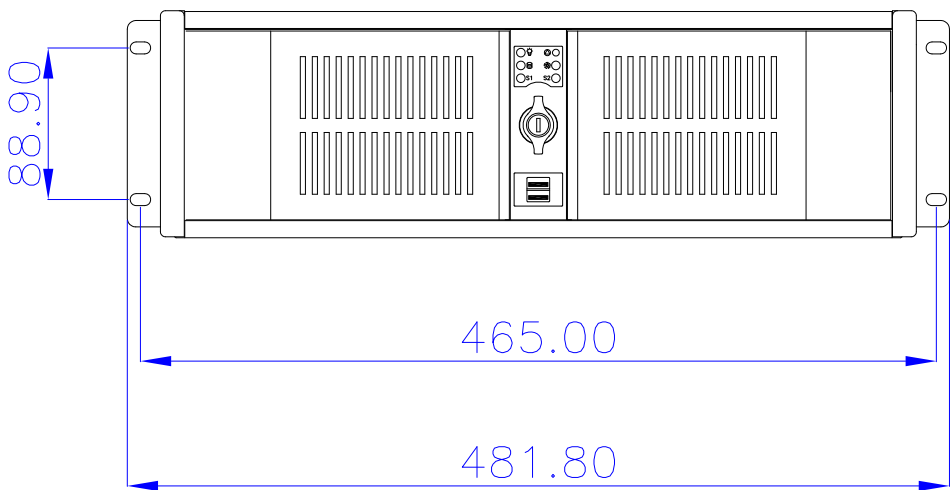
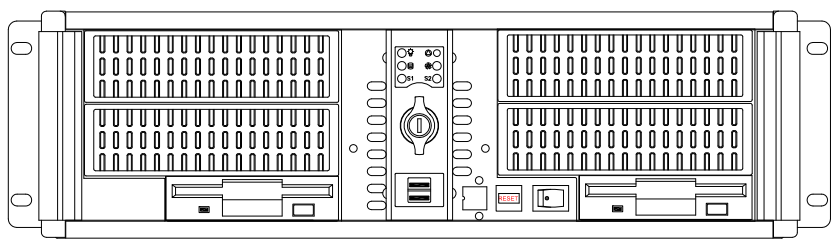
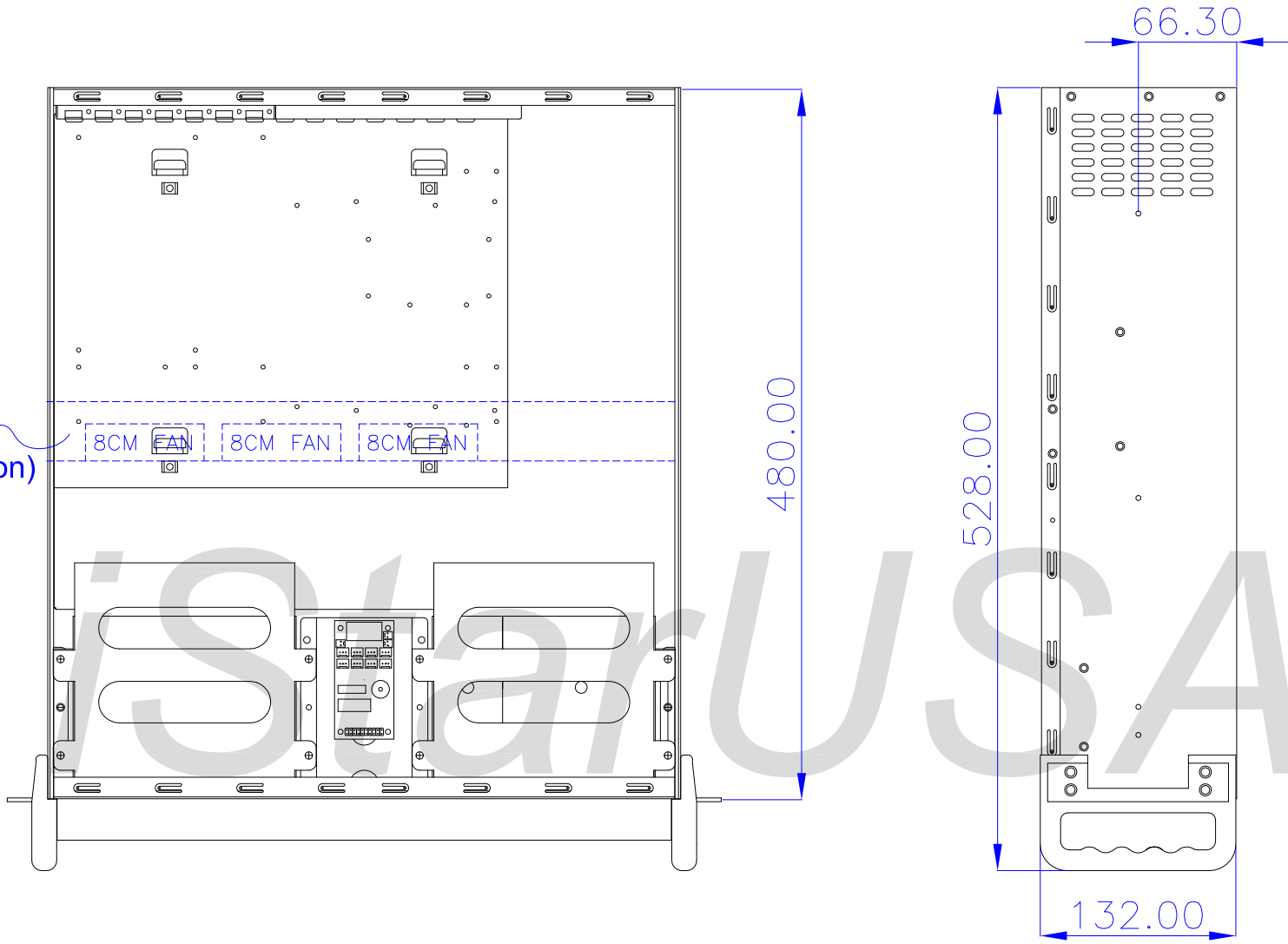
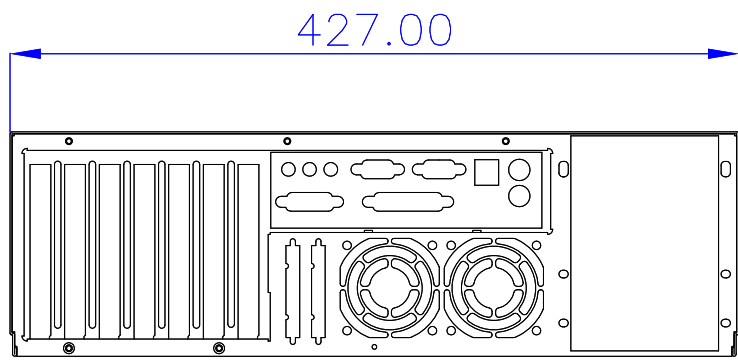
3U Chassis



A B C D E F G

1
2
3
4
5
6
7
8
9
10

1
2
3
4
5
6
7
8
9
10



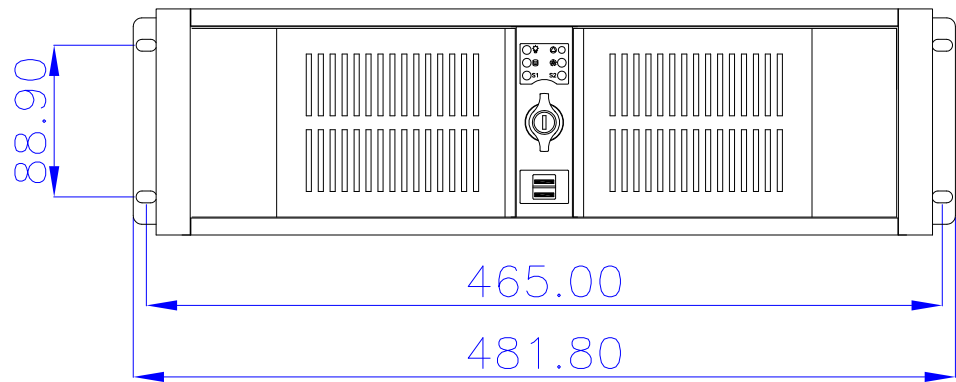
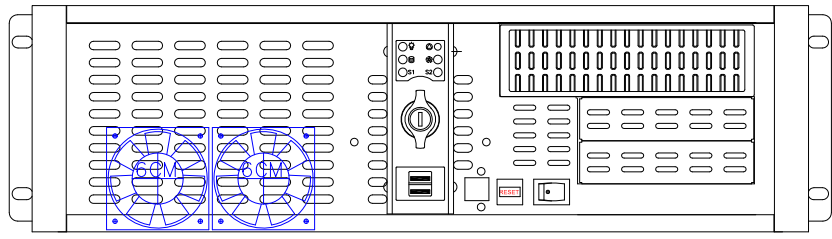
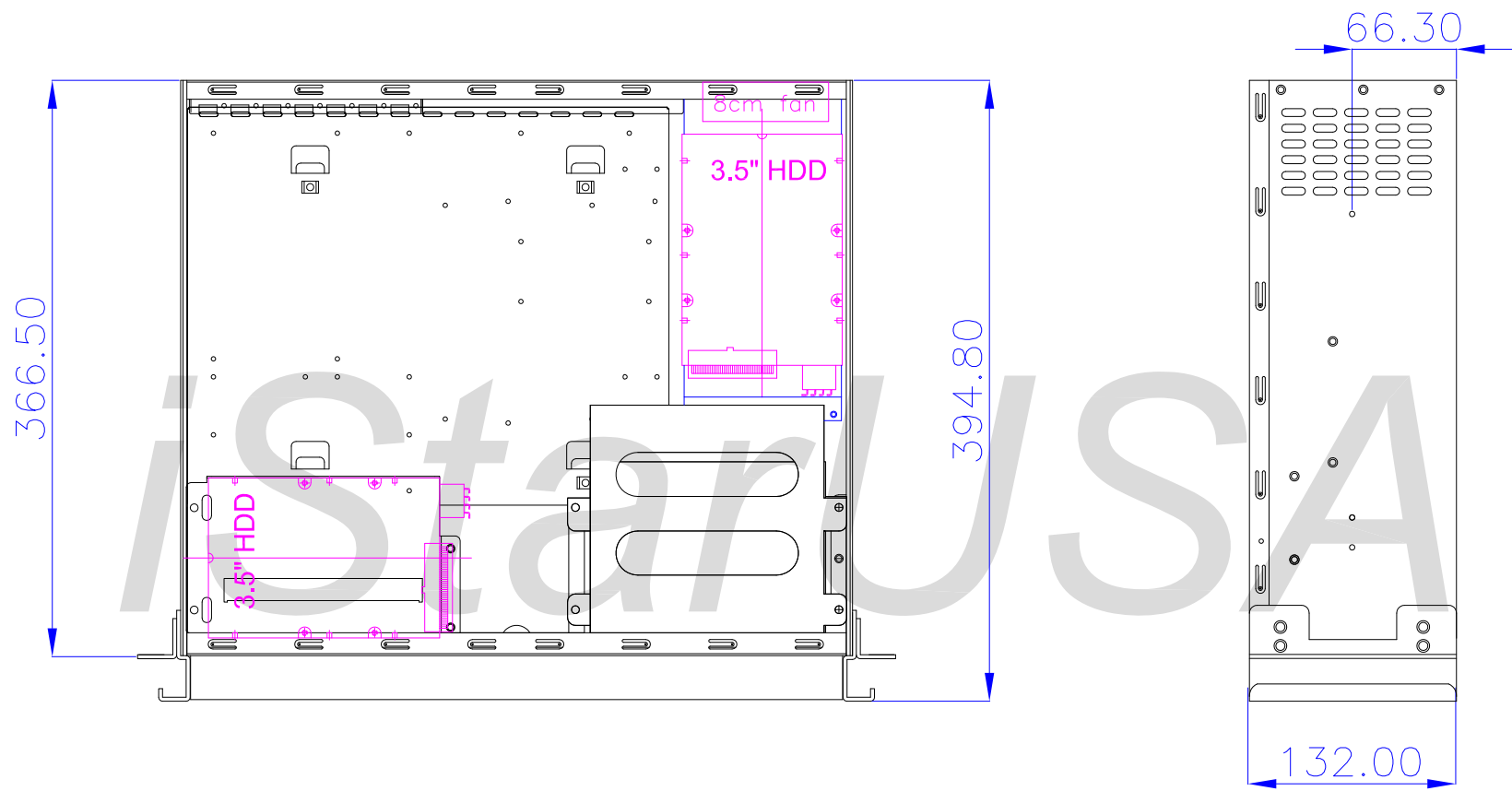
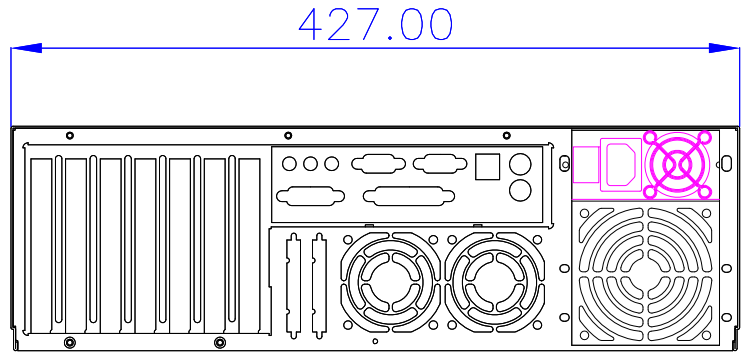
A B C D E F G

Model NO.	D-300	iStarUSA			
EXT	5.25" *4 + 3.5" *2	DATE	2008/09/10		
INT	3.5" *1	PROJ	⊕ ⊖		
M/B	12" * 9.6"	REV NO.	X	SCALE	1:1
SLOT	*7 (L-type)	DRAWN	ANDY	UNIT	mm

A B C D E F G

1
2
3
4
5
6
7
8
9
10

1
2
3
4
5
6
7
8
9
10



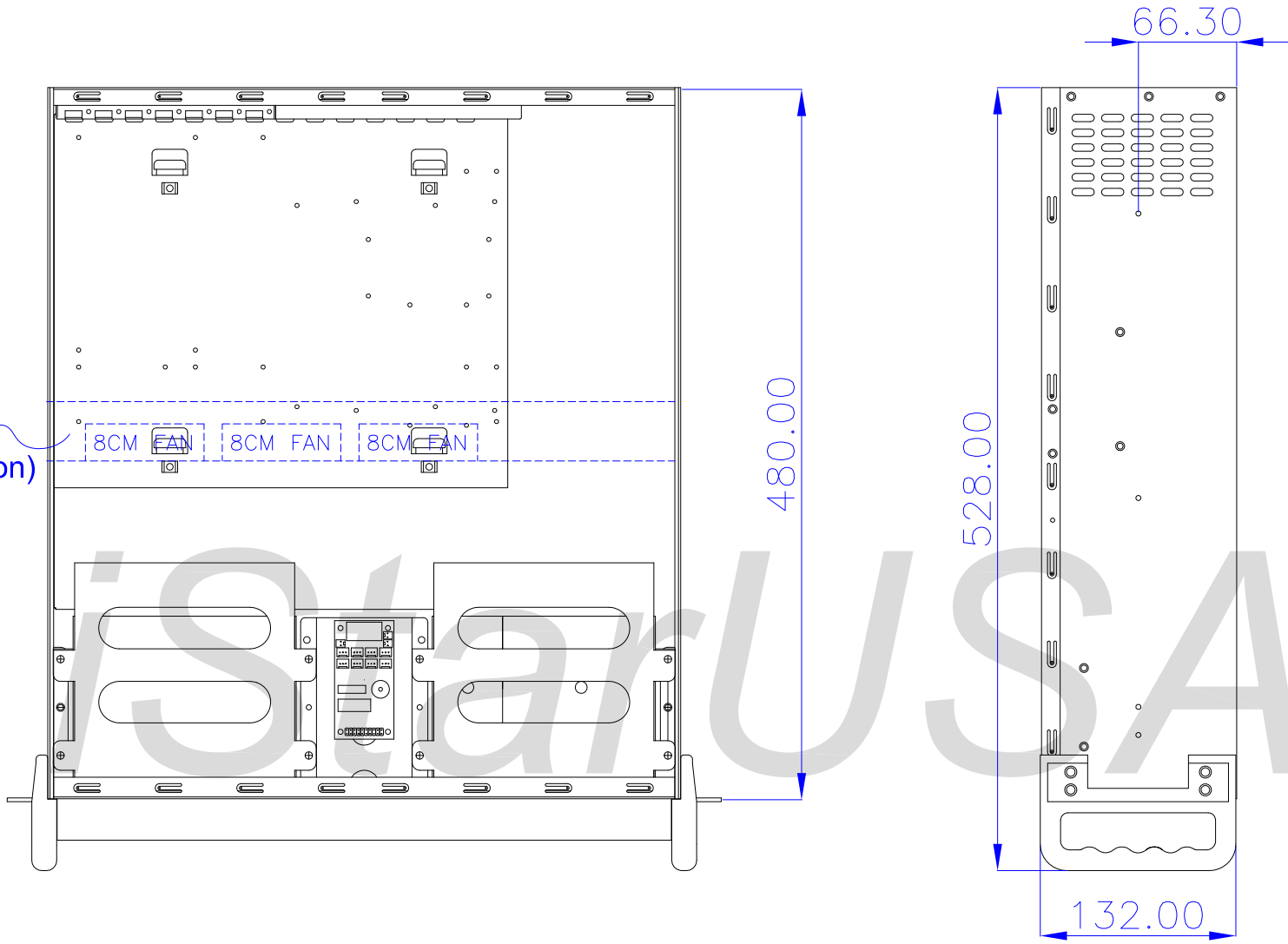
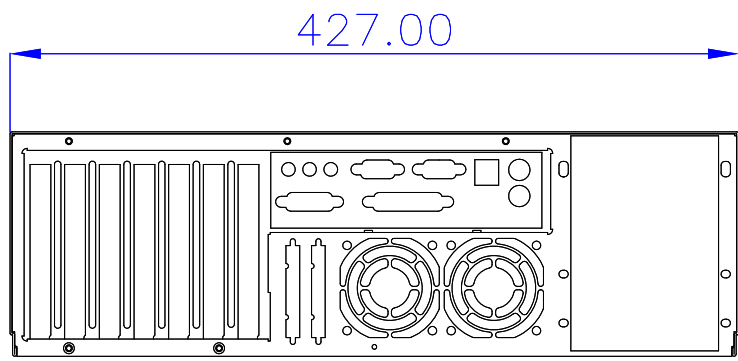
Model NO.	D-300S5	iStarUSA™			
EXT	5.25" *1 + 3.5" *2	DATE	2008/09/10		
INT	3.5" *3	PROJ			
M/B	12" * 9.6"	REV NO.	X	SCALE	1:1
SLOT	*7 (L-type)	DRAWN	ANDY	UNIT	mm

A B C D E F G

A | B | C | D | E | F | G

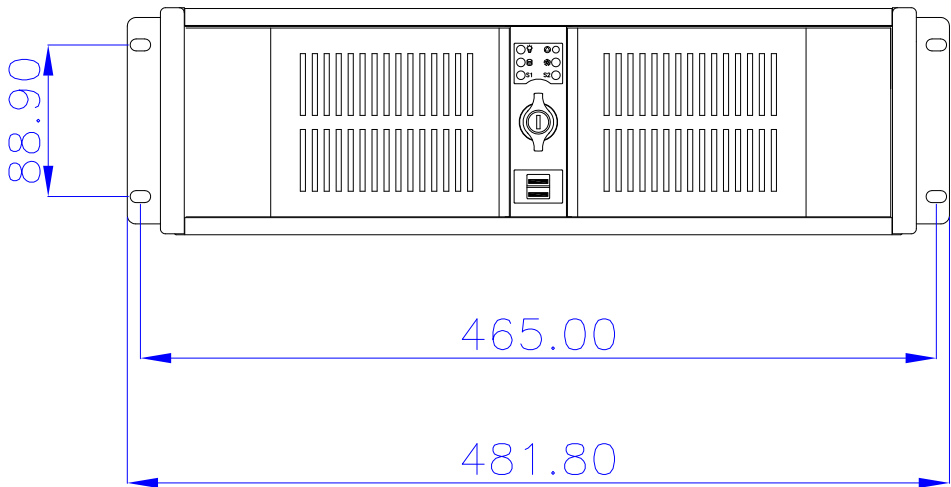
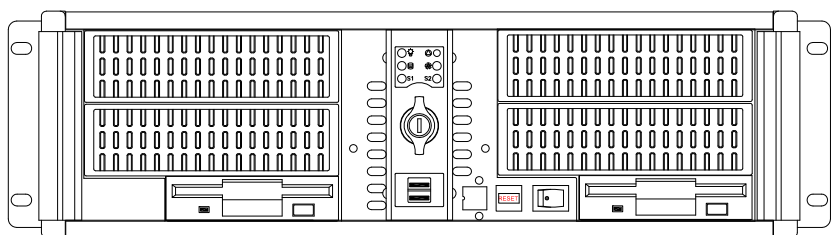
1
2
3
4
5
6
7
8
9
10

1
2
3
4
5
6
7
8
9
10



528.00

132.00



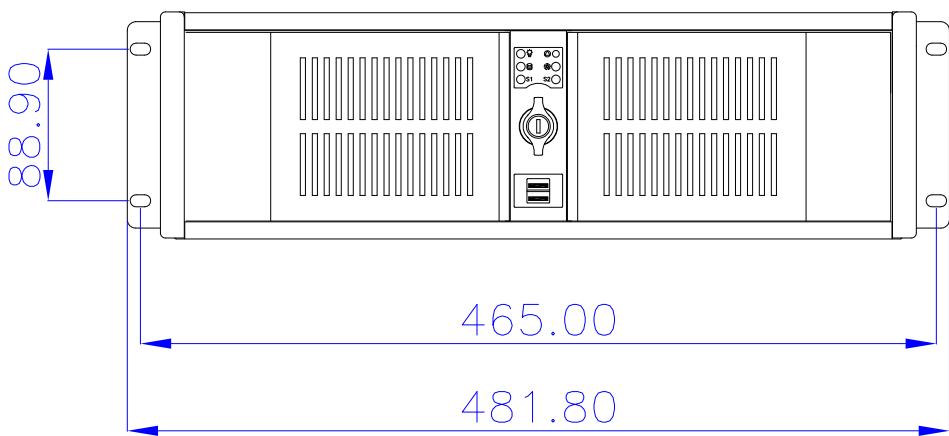
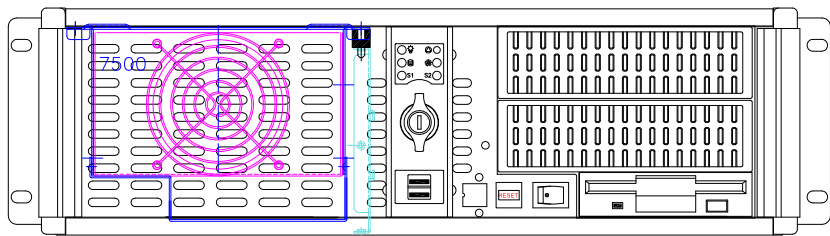
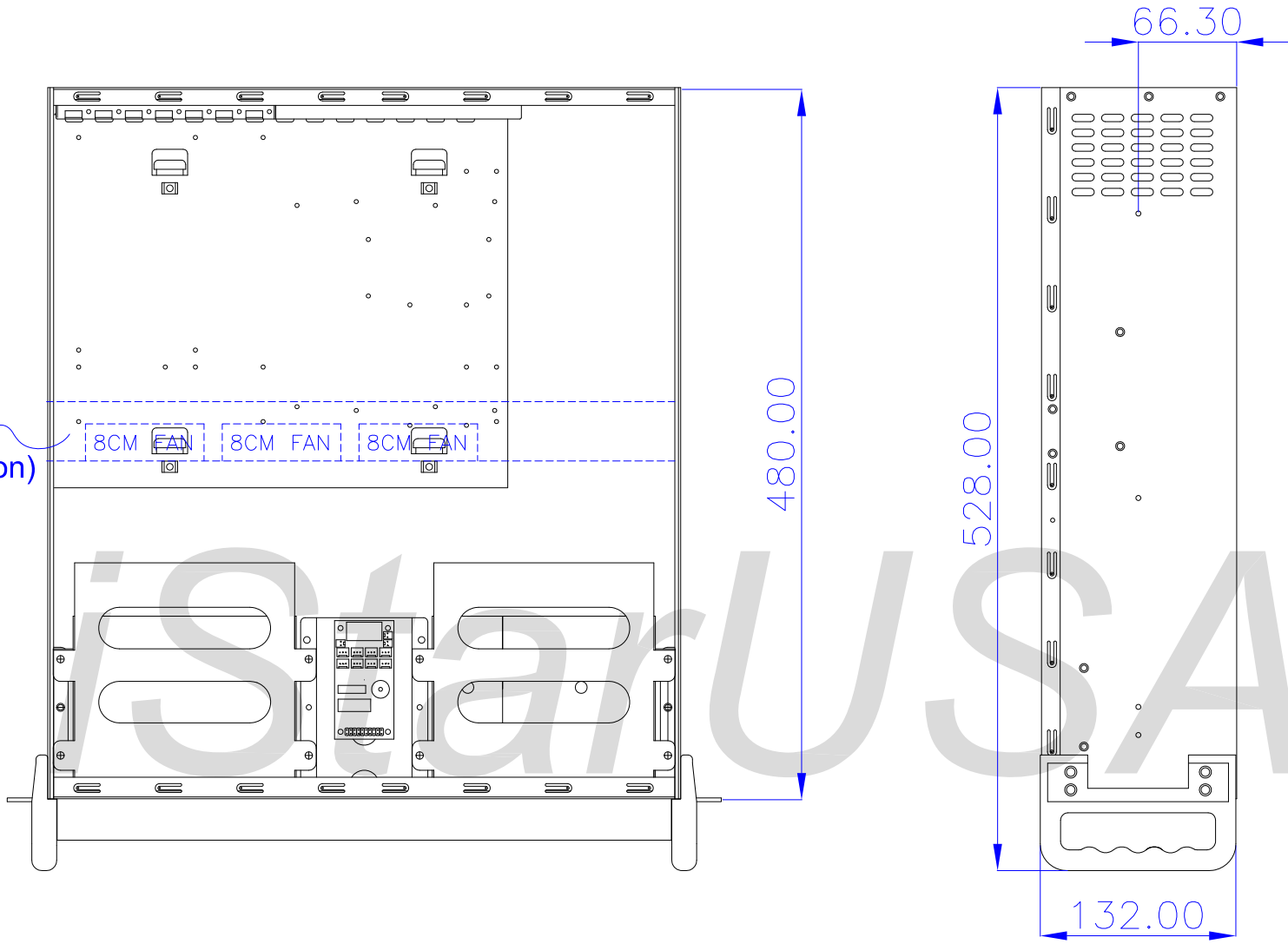
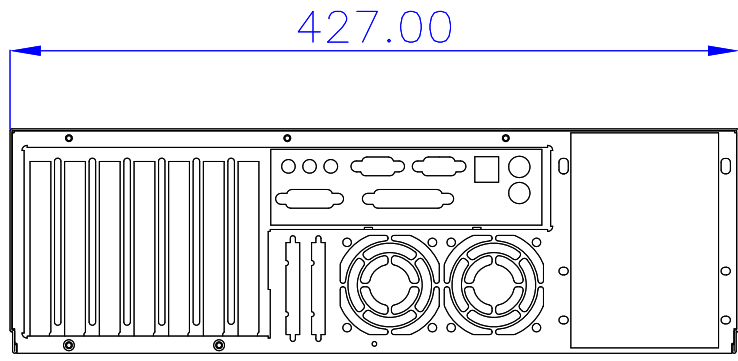
A | B | C | D | E | F | G

Model NO.	D-300A	iStarUSA			
EXT	5.25" *4 + 3.5" *2	DATE	2008/09/10		
INT	3.5" *1	PROJ			
M/B	12" * 9.6"	REV NO.	X	SCALE	1:1
SLOT	*7 (L-type)	DRAWN	ANDY	UNIT	mm

A B C D E F G

1
2
3
4
5
6
7
8
9
10

1
2
3
4
5
6
7
8
9
10



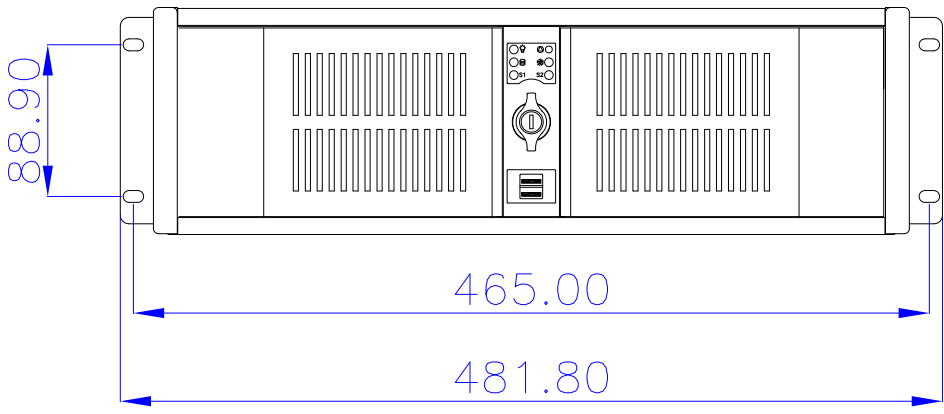
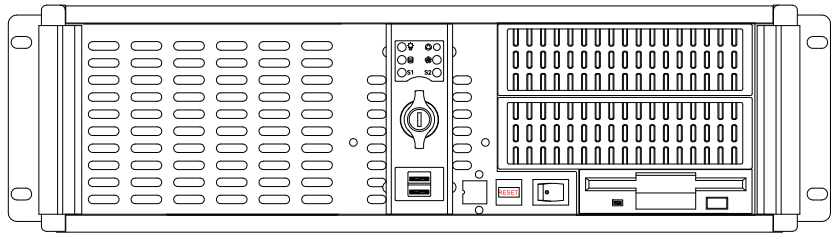
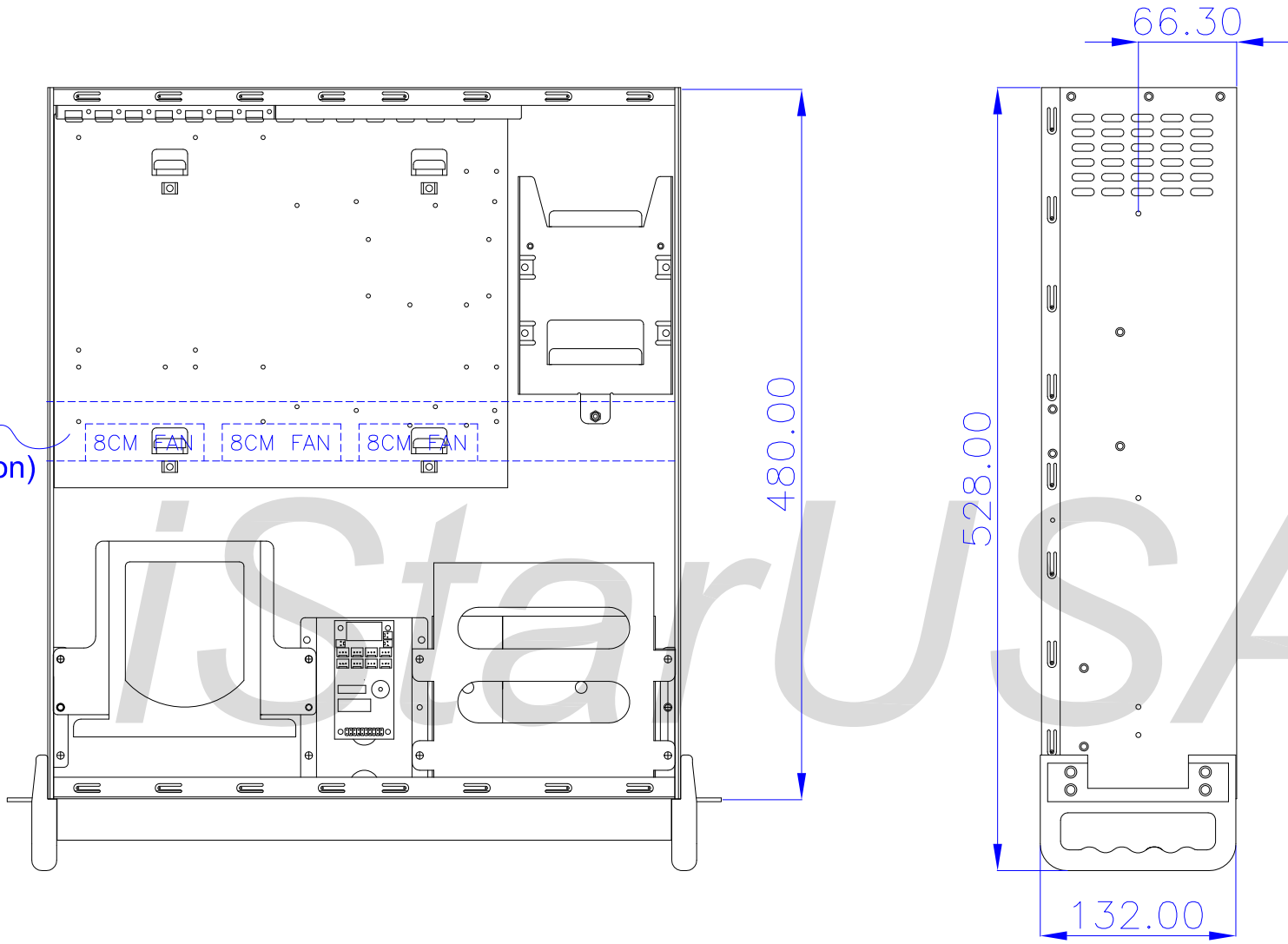
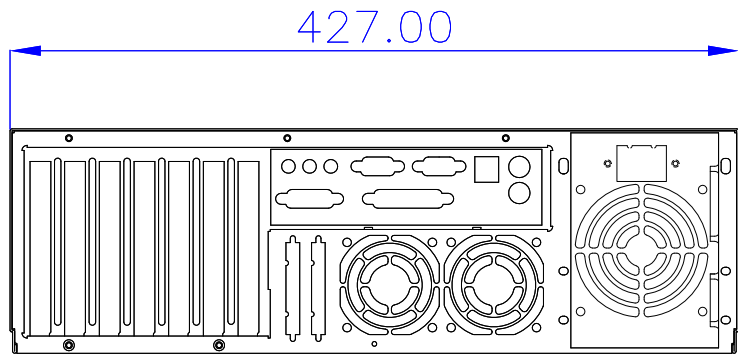
A B C D E F G

Model NO.	D-300-AS	iStarUSA			
EXT	5.25" *2 + 3.5" *1	DATE	2008/09/10		
INT	3.5" *3	PROJ			
M/B	12" * 9.6"	REV NO.	X	SCALE	1:1
SLOT	*7 (L-type)	DRAWN	ANDY	UNIT	mm

A B C D E F G

1
2
3
4
5
6
7
8
9
10

1
2
3
4
5
6
7
8
9
10



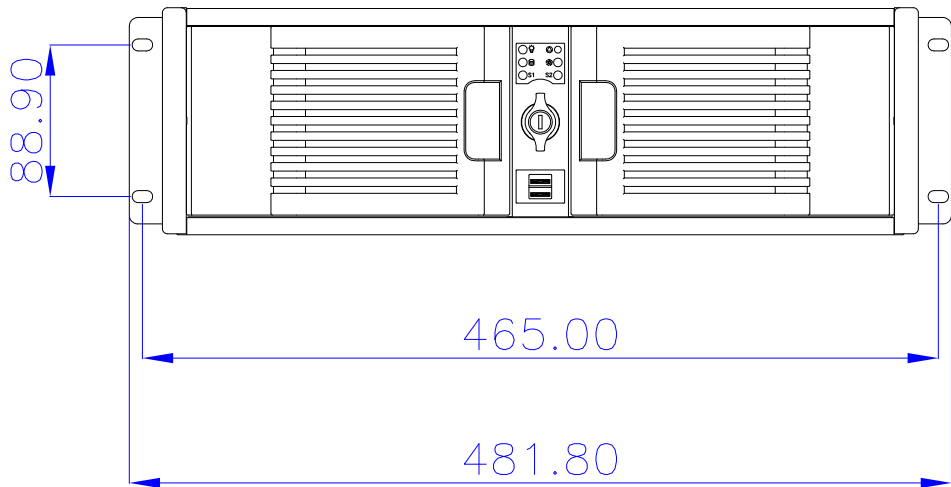
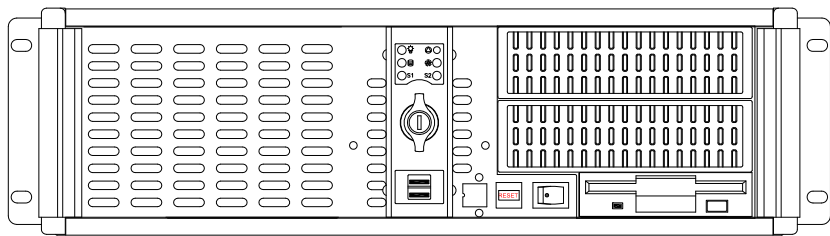
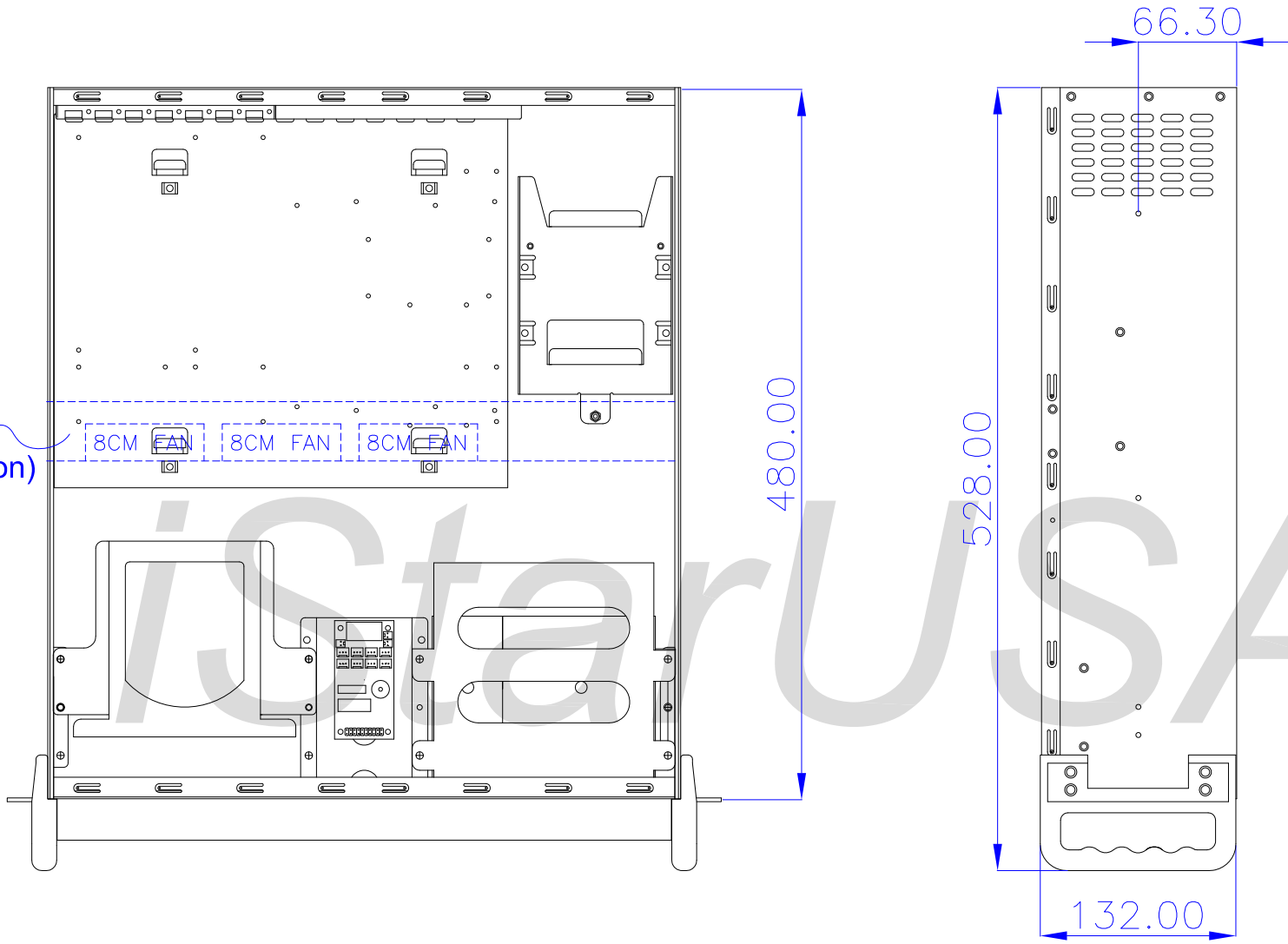
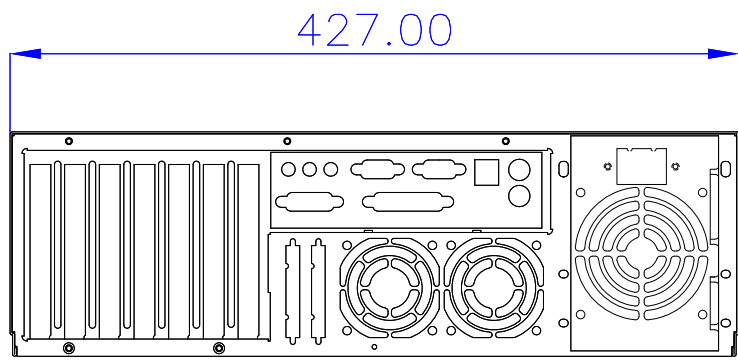
Model NO.	D-300-FS	iStarUSA			
EXT	5.25" *2 + 3.5" *1	DATE	2008/09/10		
INT	3.5" *5	PROJ			
M/B	12" * 9.6"	REV NO.	X	SCALE	1:1
SLOT	*7 (L-type)	DRAWN	ANDY	UNIT	mm

A B C D E F G

A | B | C | D | E | F | G

1
2
3
4
5
6
7
8
9
10

1
2
3
4
5
6
7
8
9
10

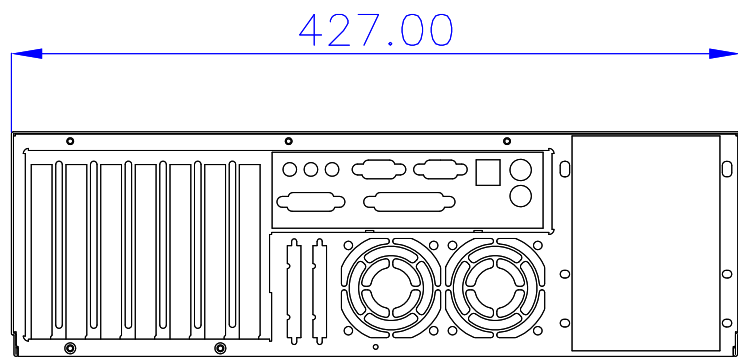


A | B | C | D | E | F | G

Model NO.	D-300-PFS	iStarUSA			
EXT	5.25" *2 + 3.5" *1	DATE	2008/09/10		
INT	3.5" *5	PROJ			
M/B	12" * 9.6"	REV NO.	X	SCALE	1:1
SLOT	*7 (L-type)	DRAWN	ANDY	UNIT	mm

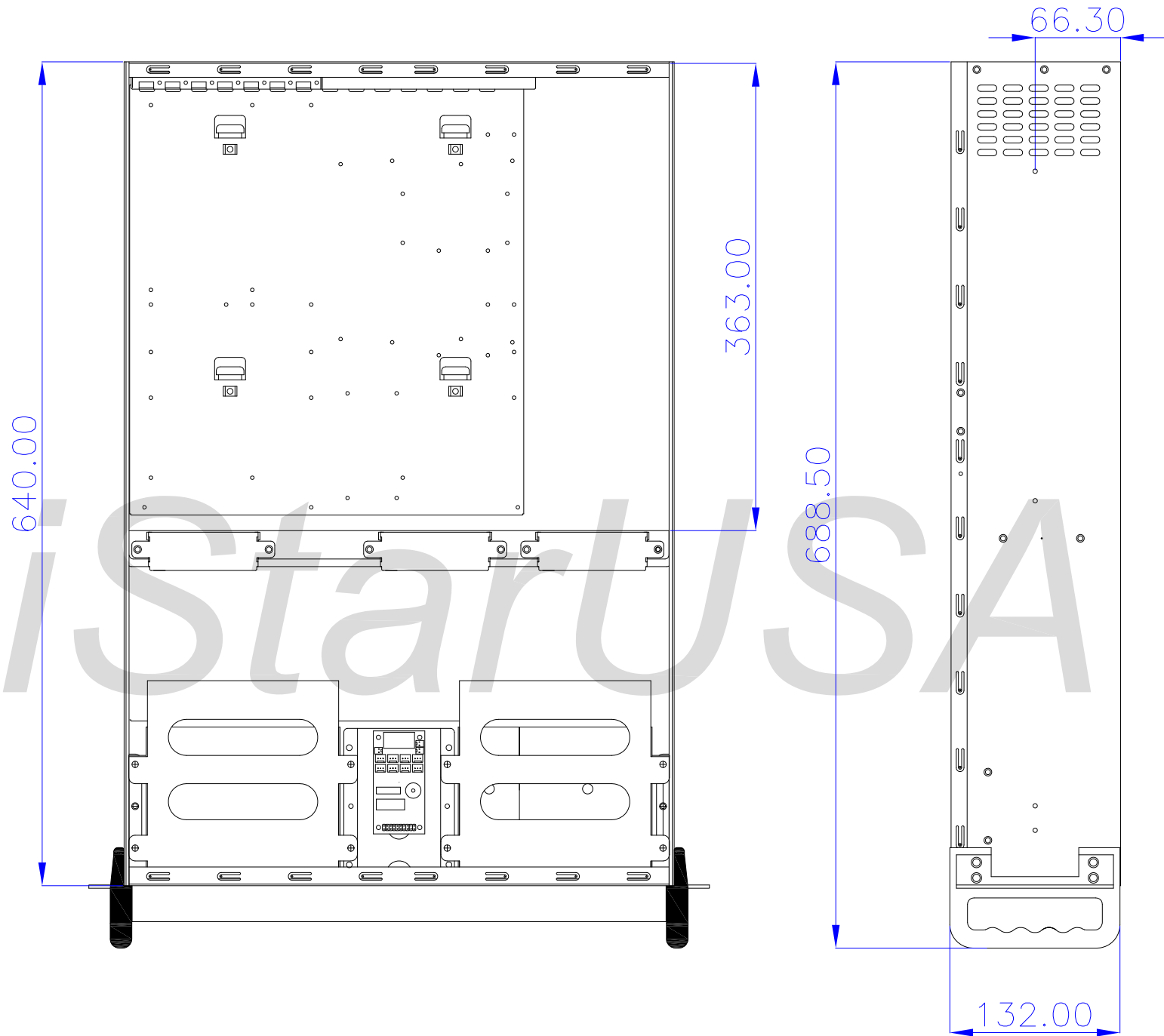
A | B | C | D | E | F | G

1



2

3



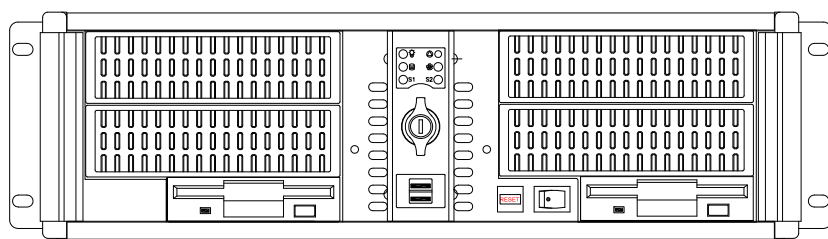
4

5

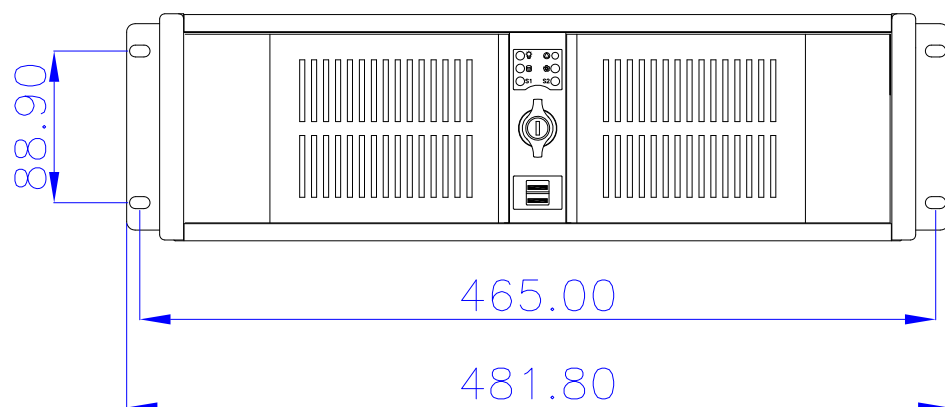
6

7

8



9



10

A | B | C | D | E | F | G

Model NO.	D-300L	iStarUSA			
EXT	5.25" * 4 + 3.5" * 2	DATE	2008/09/10		
INT	3.5" * 1	PROJ			
M/B	12" * 13"	REV NO.	X	SCALE	1:1
SLOT	*7 (L-type)	DRAWN	ANDY	UNIT	mm

A B C D E F G

1

2

3

4

5

6

7

8

9

10

1

2

3

4

5

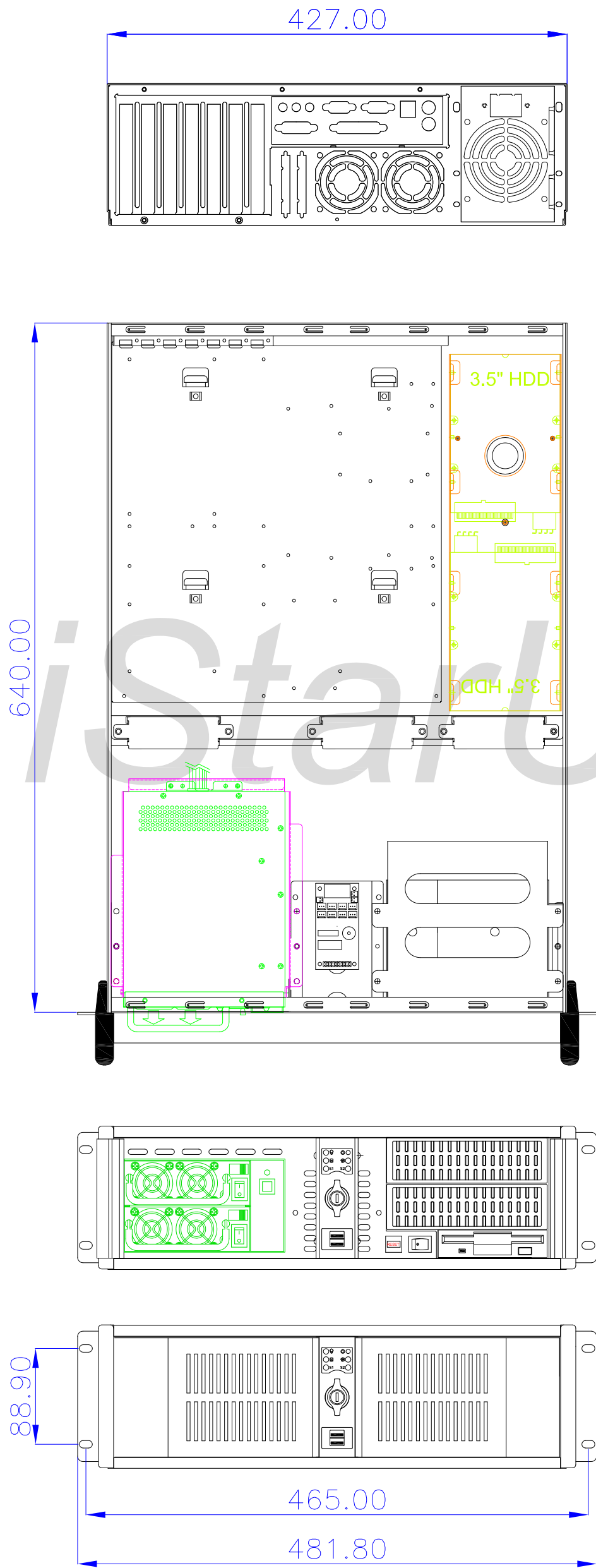
6

7

8

9

10



Model NO.	D-300L-FR	iStarUSA			
EXT	5.25" * 4 + 3.5" * 2	DATE	2008/09/10		
INT	3.5" * 1	PROJ	⊕ ⊖		
M/B	12" * 13"	REV NO.	X	SCALE	1:1
SLOT	*7 (L-type)	DRAWN	ANDY	UNIT	mm

A B C D E F G

1

2

3

4

5

6

7

8

9

10

1

2

3

4

5

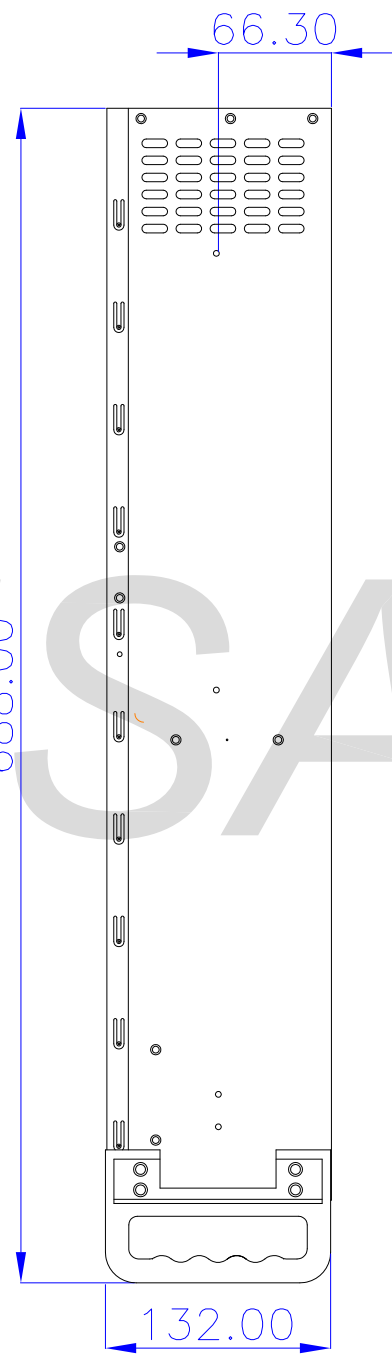
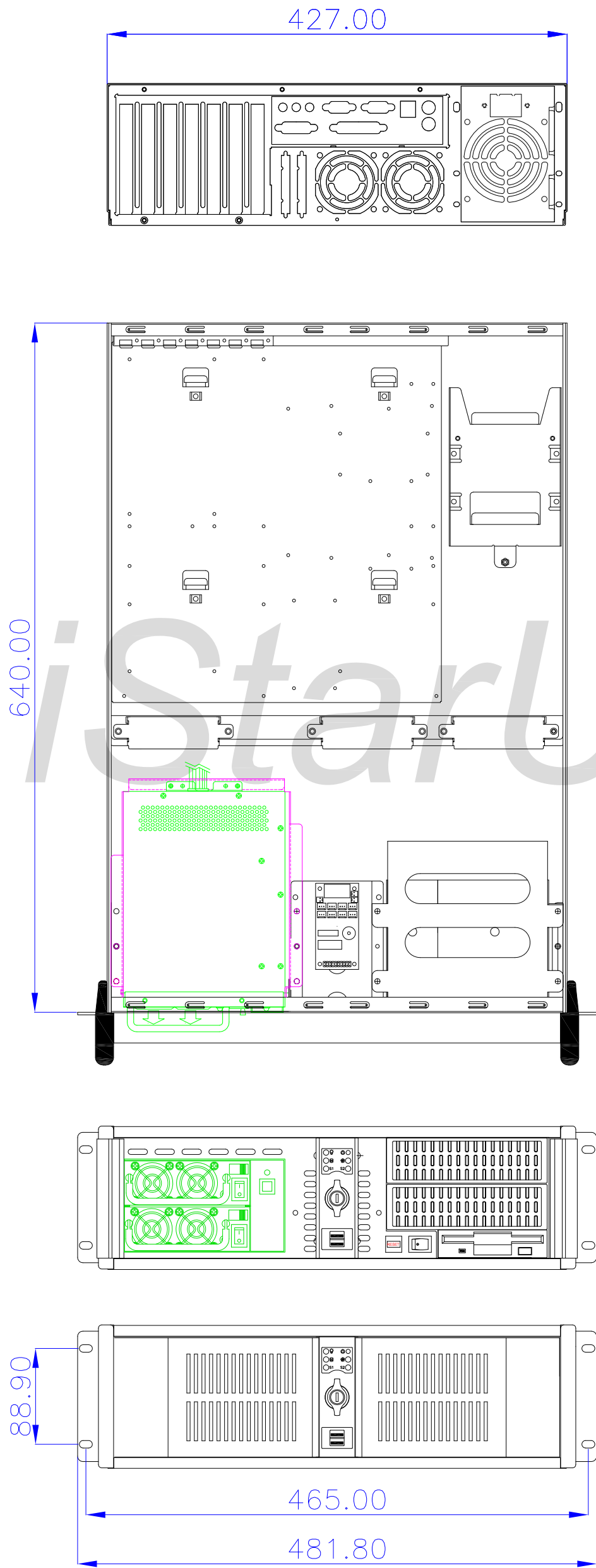
6

7

8

9

10

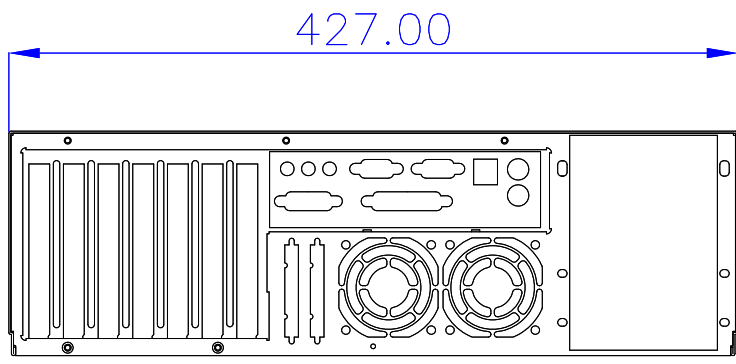


Model NO.	D-300L-FS	iStarUSA			
EXT	5.25" * 2 + 3.5" * 1	DATE	2008/09/10		
INT	3.5" * 5	PROJ			
M/B	12" * 13"	REV NO.	X	SCALE	1:1
SLOT	*7 (L-type)	DRAWN	ANDY	UNIT	mm

A B C D E F G

A B C D E F G

1

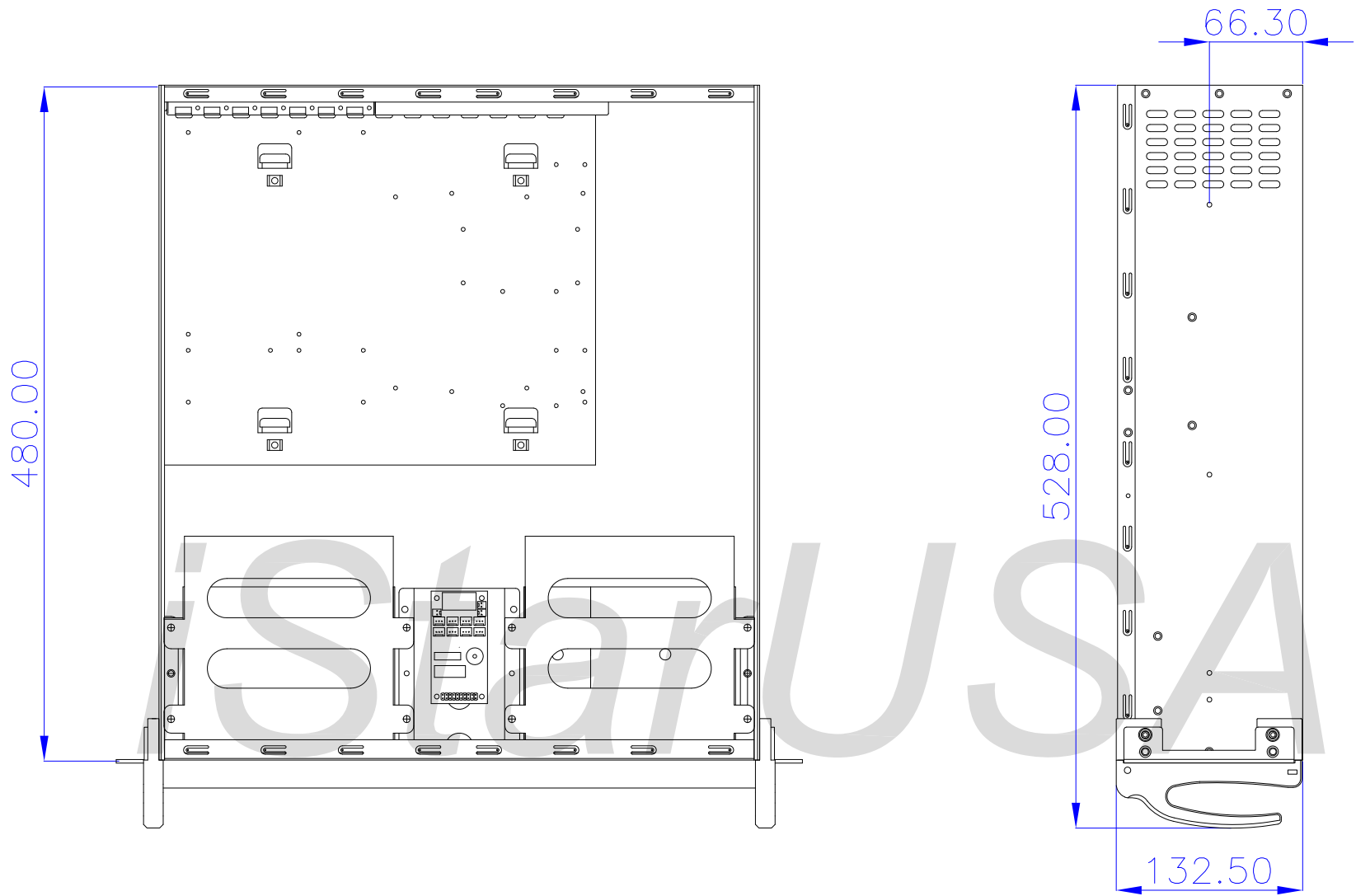


1

2

2

3



3

4

4

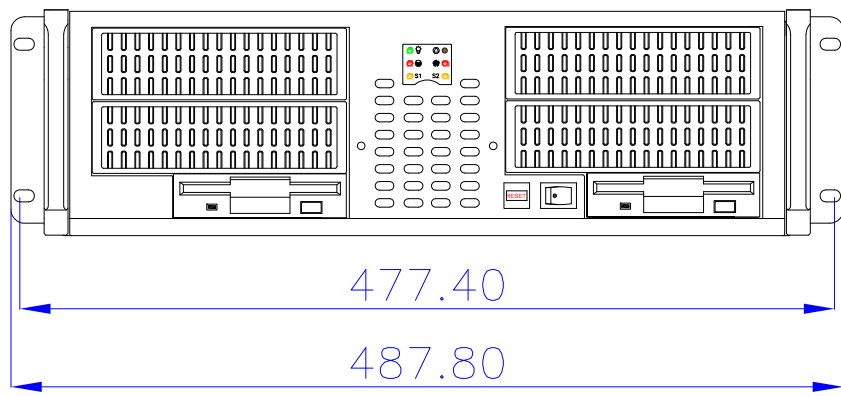
5

5

6

6

7

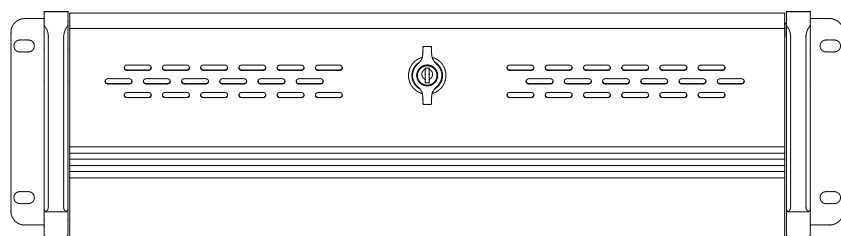


7

8

8

9



9

10

10

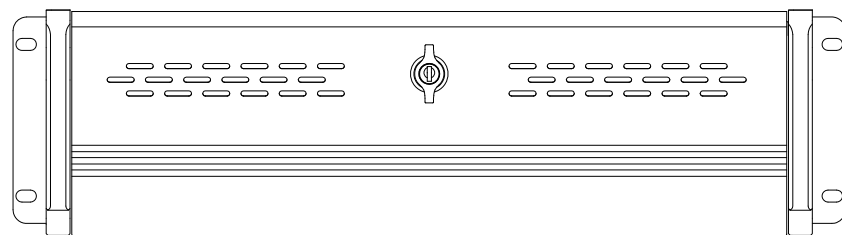
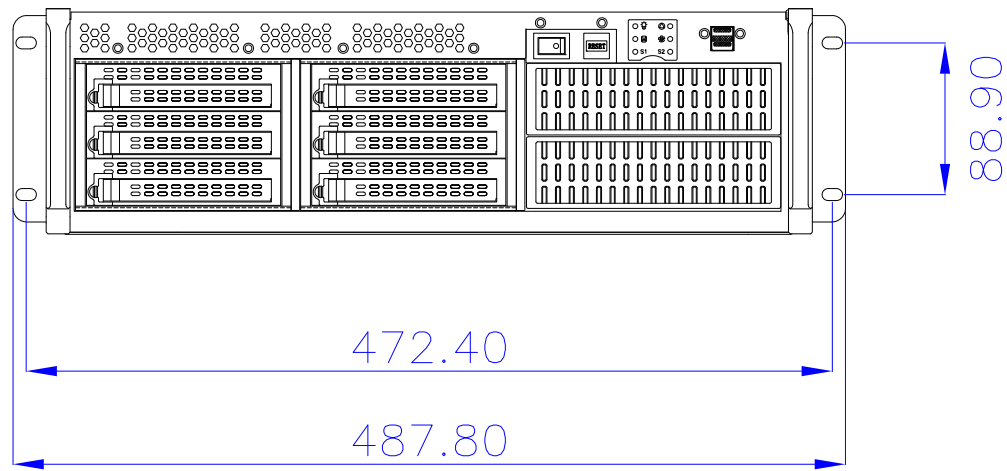
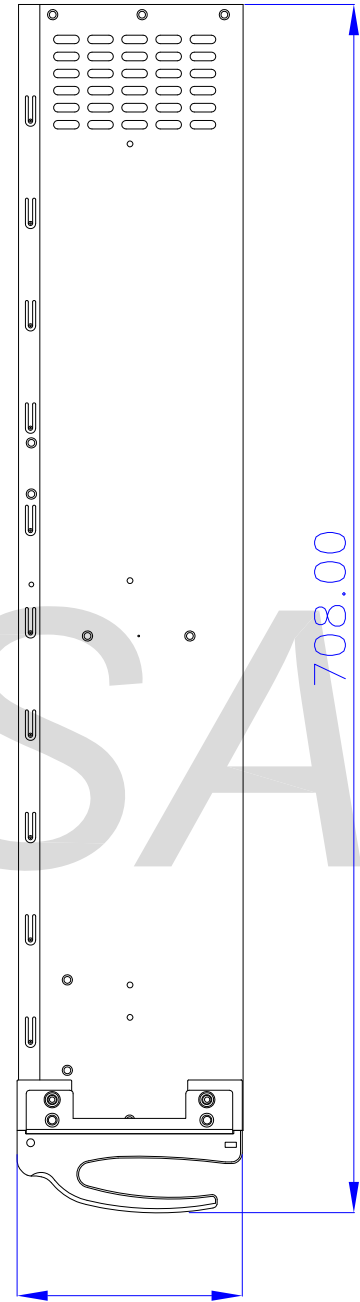
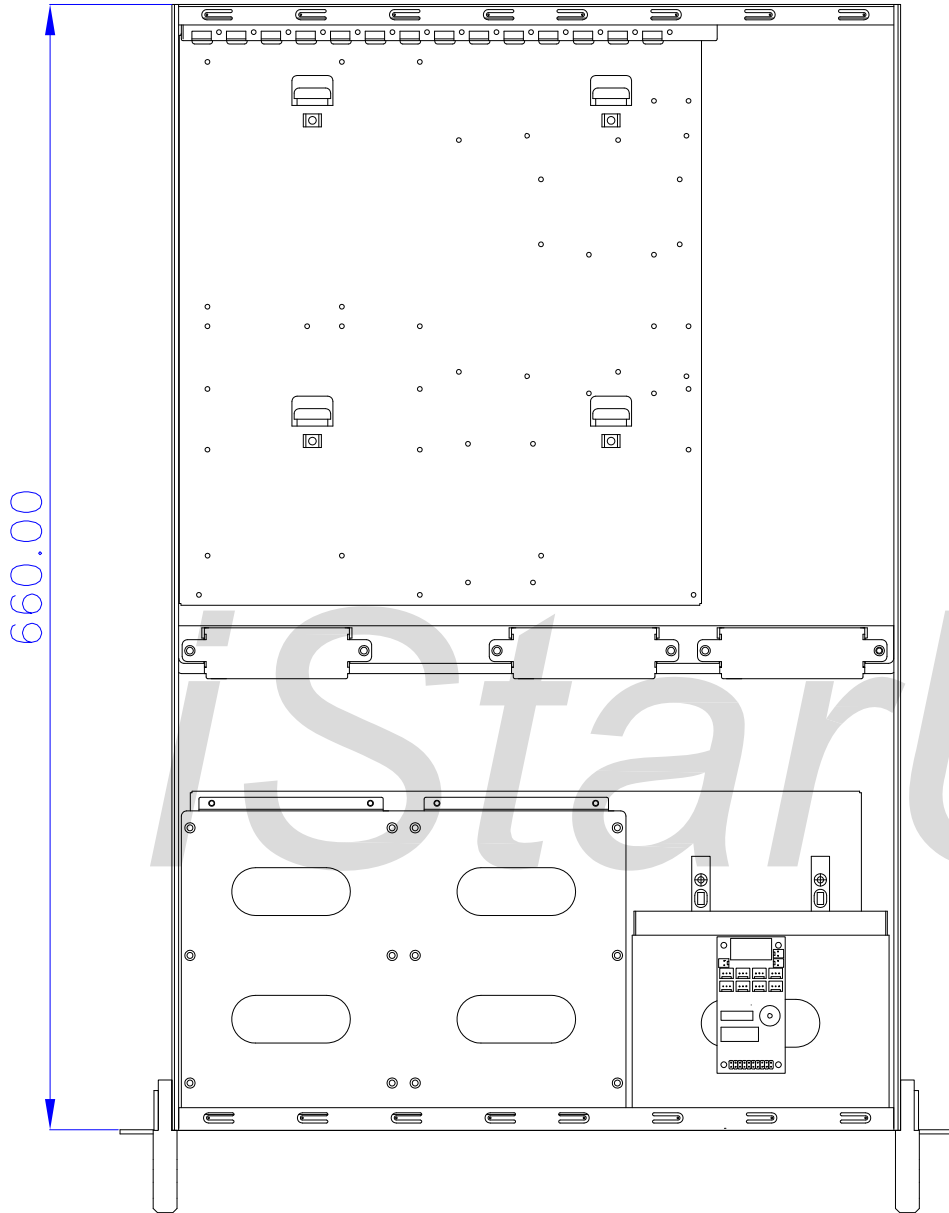
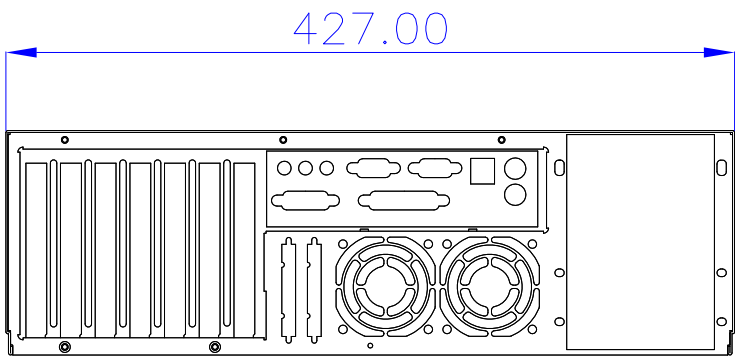
A B C D E F G

Model NO.	D2-300	iStarUSA			
EXT	5.25" * 4 + 3.5" * 2	DATE	2008/09/10		
INT	3.5" * 1	PROJ			
M/B	12" * 9.6"	REV NO.	X	SCALE	1:1
SLOT	*7 (L-type)	DRAWN	ANDY	UNIT	mm

A | B | C | D | E | F | G

1
2
3
4
5
6
7
8
9
10

1
2
3
4
5
6
7
8
9
10



A | B | C | D | E | F | G

Model NO.	D2-300L-M6SA	iStarUSA			
EXT	5.25" *2 + Hot-Swap *6	DATE	2008/09/10		
INT		PROJ	⊕ ⊖		
M/B	12" * 13"	REV NO.	X	SCALE	1:1
SLOT	*7 (L-type)	DRAWN	ANDY	UNIT	mm

A B C D E F G

1

2

3

4

5

6

7

8

9

10

1

2

3

4

5

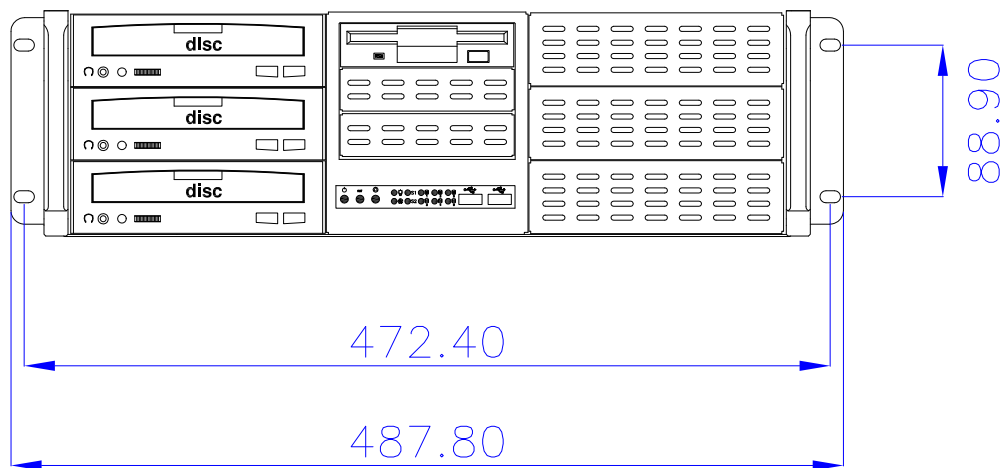
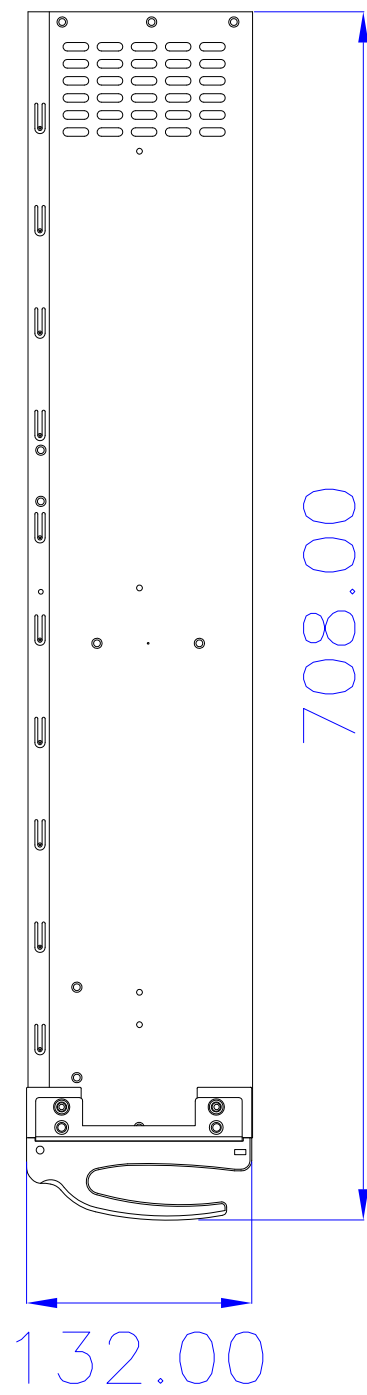
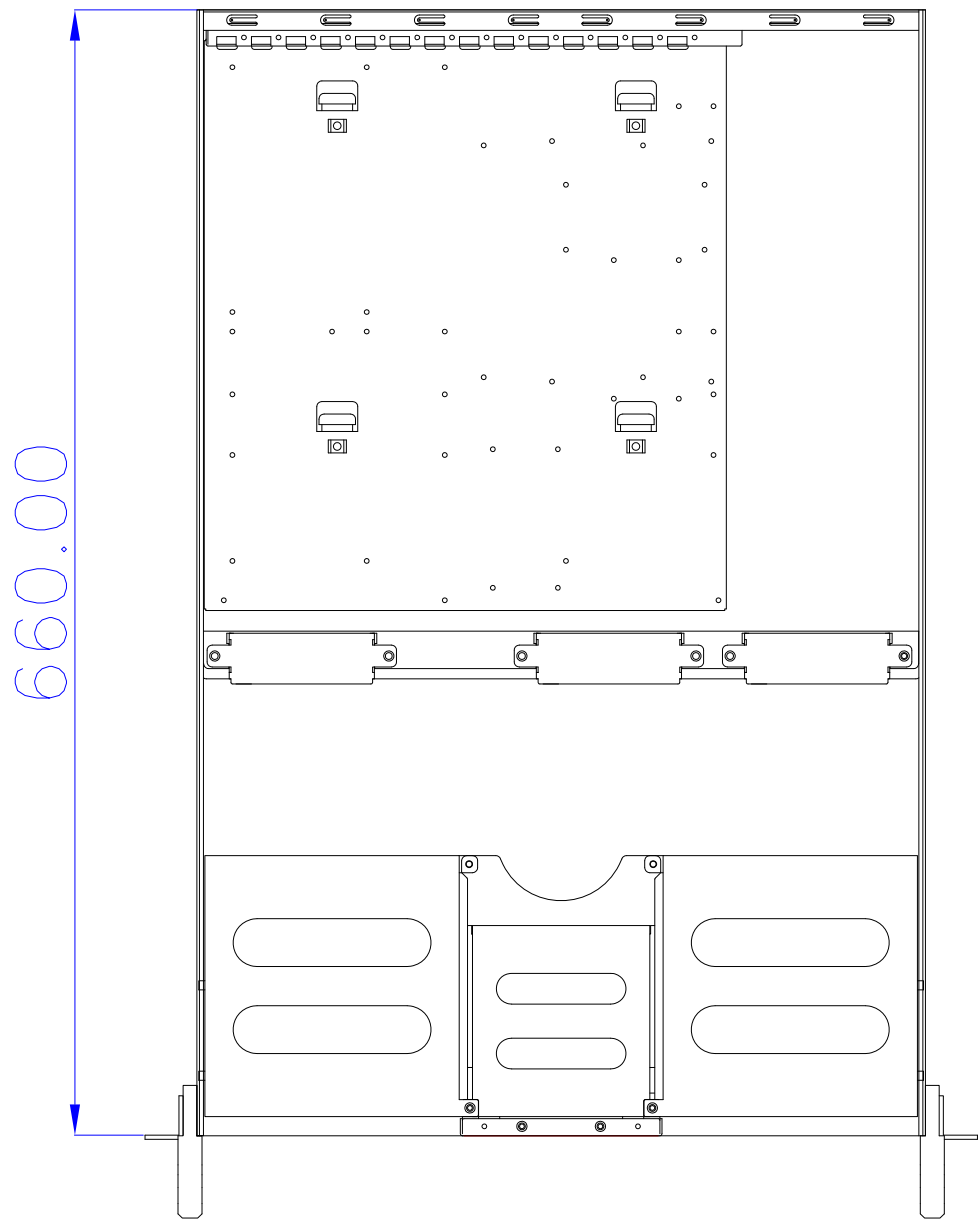
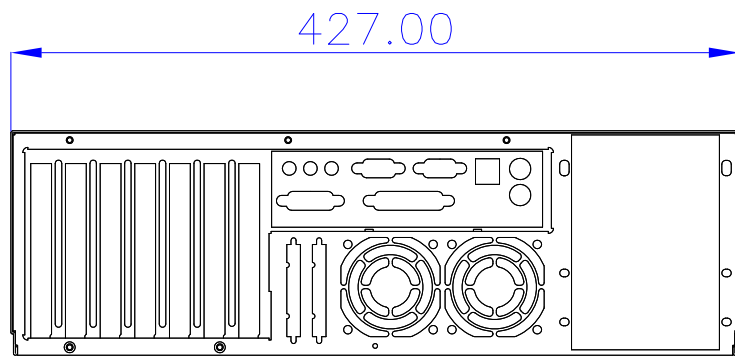
6

7

8

9

10



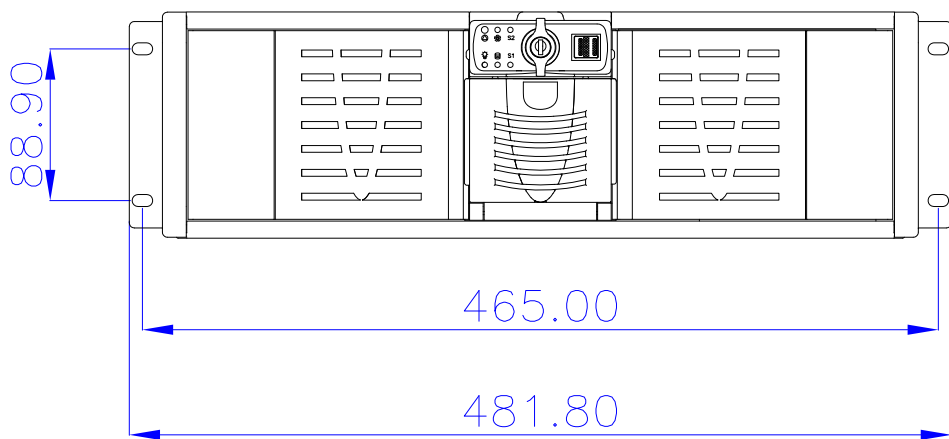
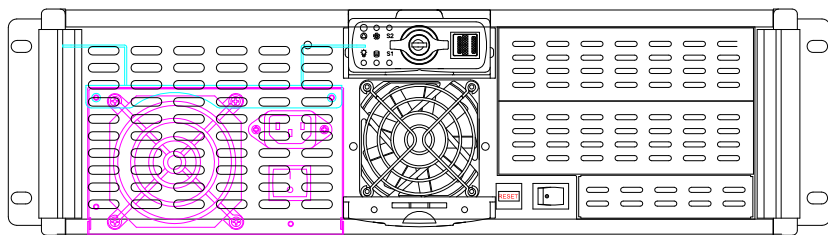
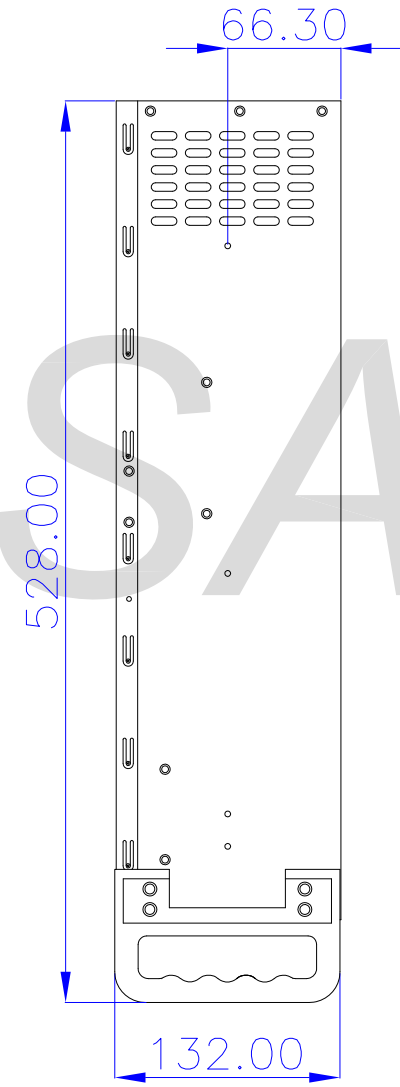
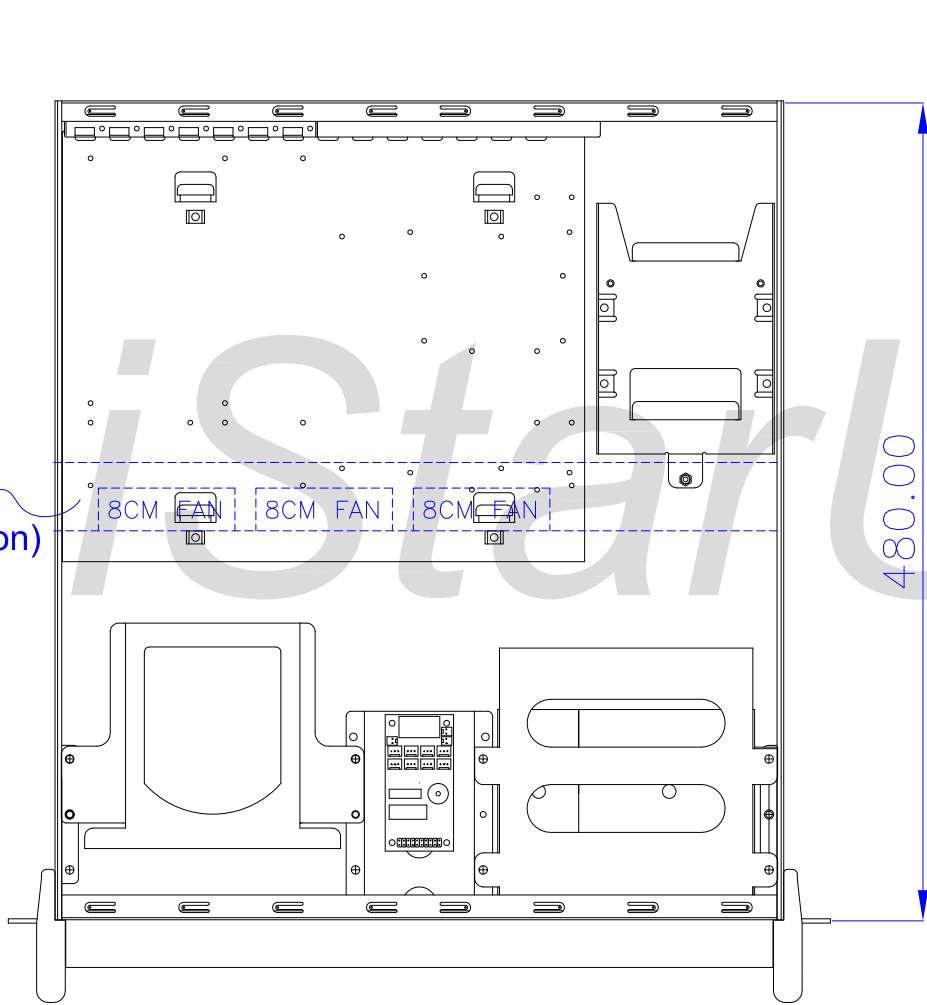
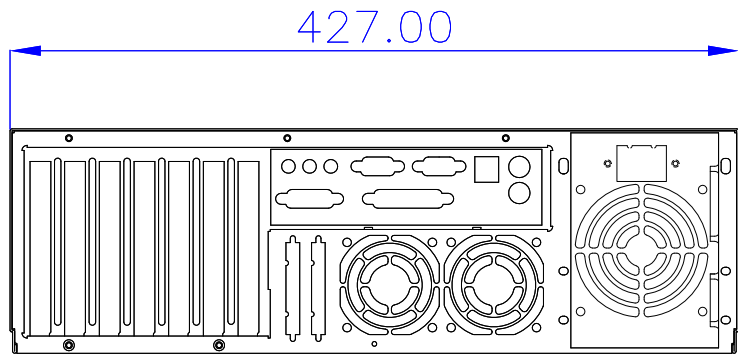
Model NO.	D3-300L	iStarUSA			
EXT	5.25" *6 + 3.5" *2	DATE	2008/09/10		
INT	3.5" *1	PROJ			
M/B	12" * 9.6"	REV NO.	X	SCALE	1:1
SLOT	*7 (L-type)	DRAWN	ANDY	UNIT	mm

A B C D E F G

A B C D E F G

1
2
3
4
5
6
7
8
9
10

1
2
3
4
5
6
7
8
9
10



Model NO.	D4-300-FS	iStarUSA			
EXT	5.25" *2 + 3.5" *1	DATE	2008/09/10		
INT	3.5" *5	PROJ			
M/B	12" * 9.6"	REV NO.	X	SCALE	1:1
SLOT	*7 (L-type)	DRAWN	ANDY	UNIT	mm

A B C D E F G

4U Chassis



A | B | C | D | E | F | G

1

2

3

4

5

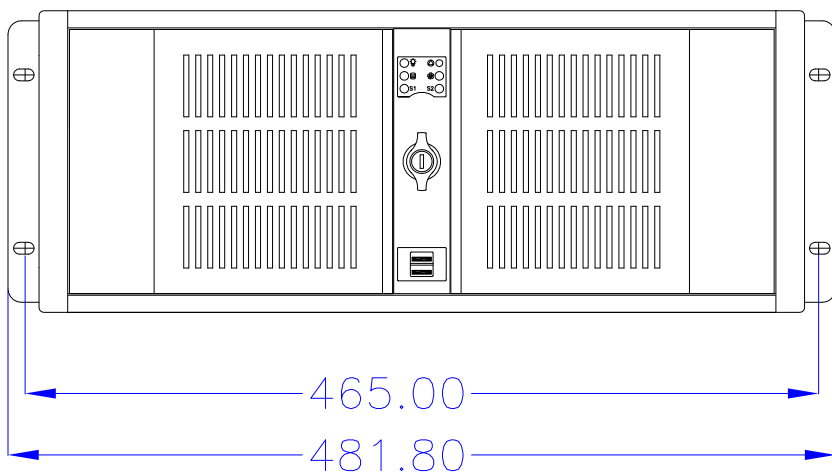
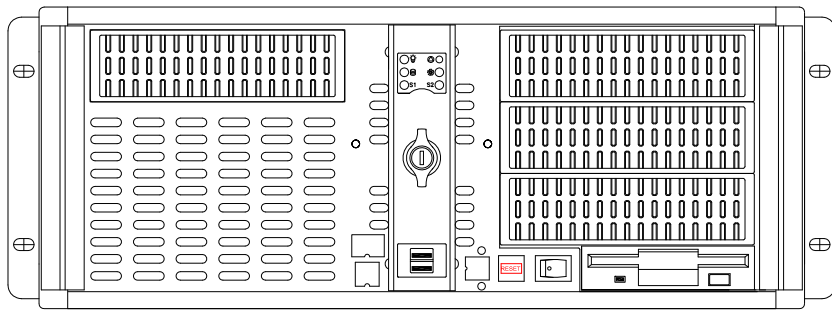
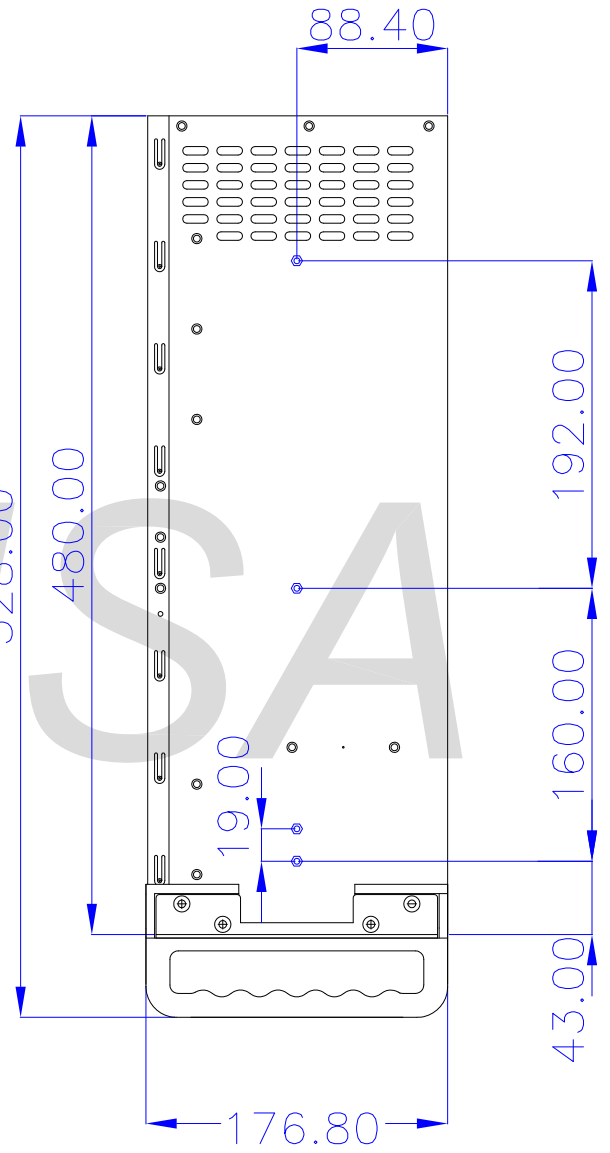
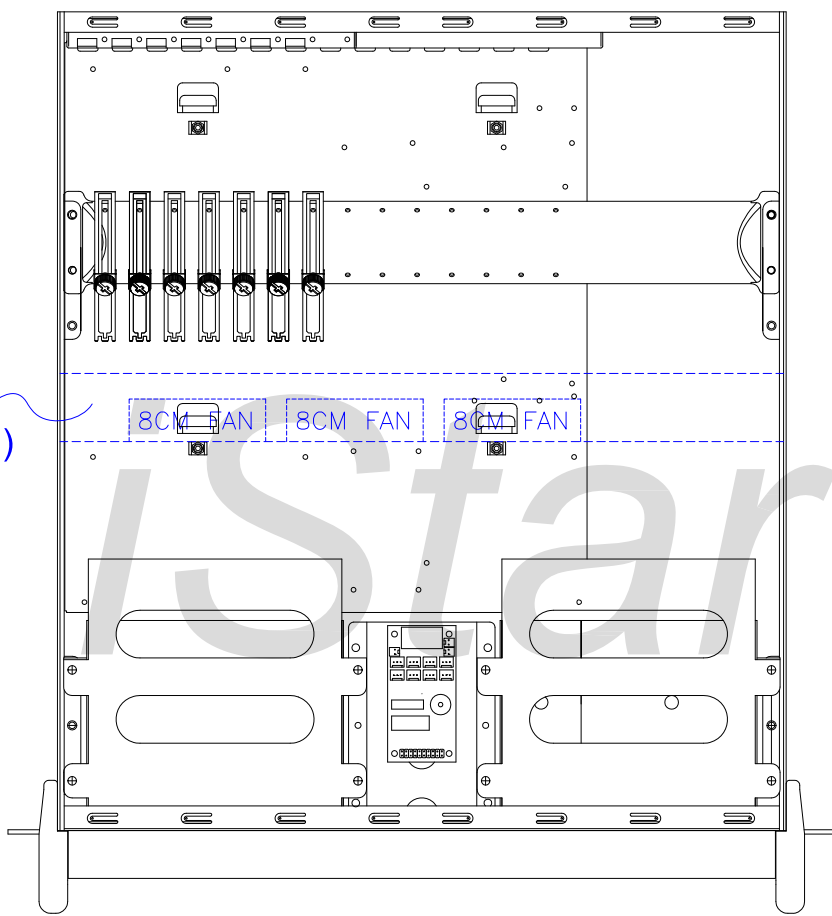
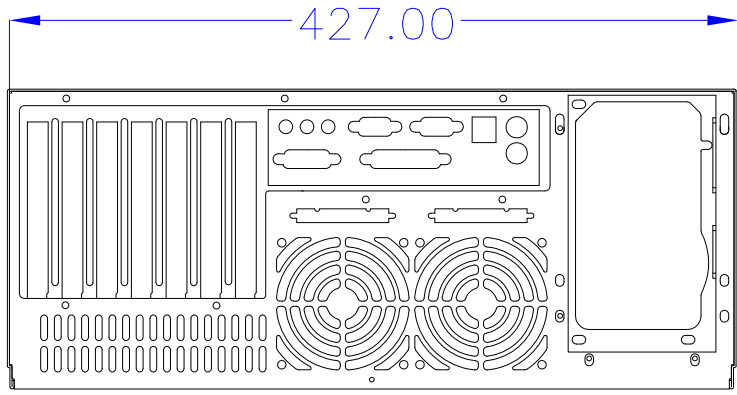
6

7

8

9

10



A | B | C | D | E | F | G

1

2

3

4

5

6

7

8

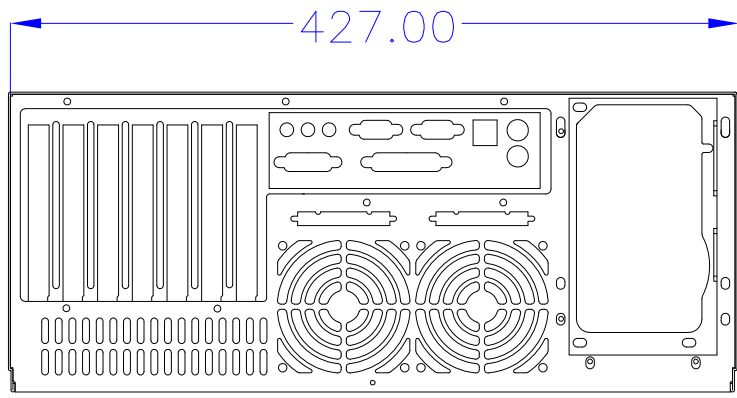
9

10

Model NO.	D-400	iStarUSA			
EXT	5.25" *4 + 3.5" *1	DATE	2008/09/10		
INT	3.5" *2	PROJ	⊕ ⊖		
M/B	12" * 13"	REV NO.	X	SCALE	1:1
SLOT	*7 (L-type)	DRAWN	ANDY	UNIT	mm

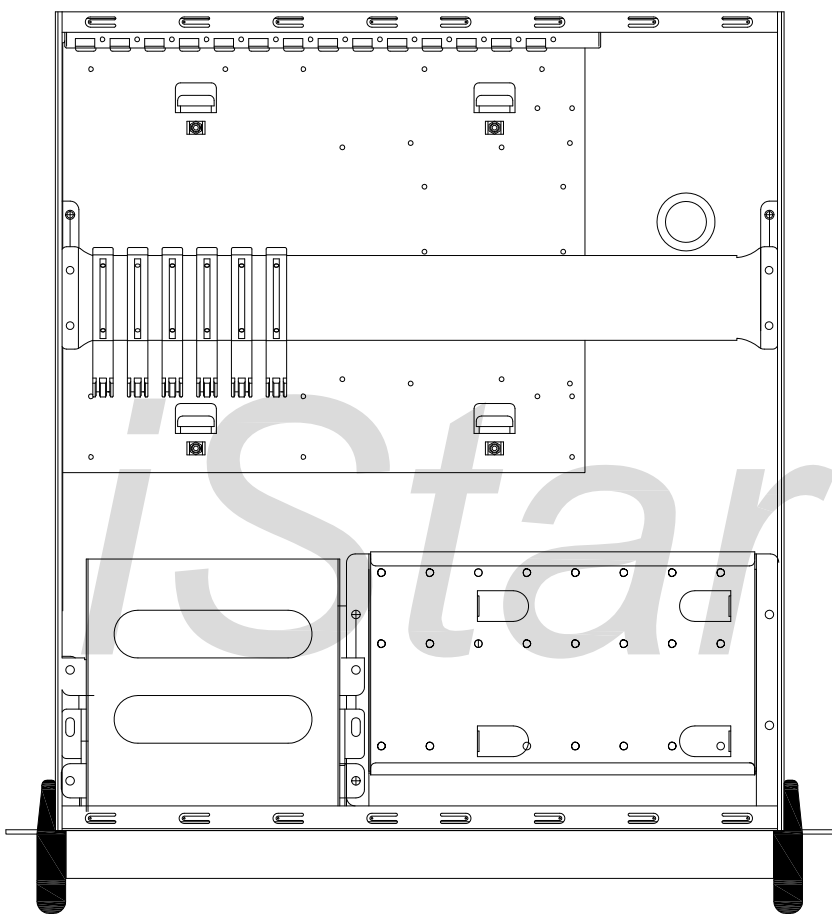
A B C D E F G

1



2

3

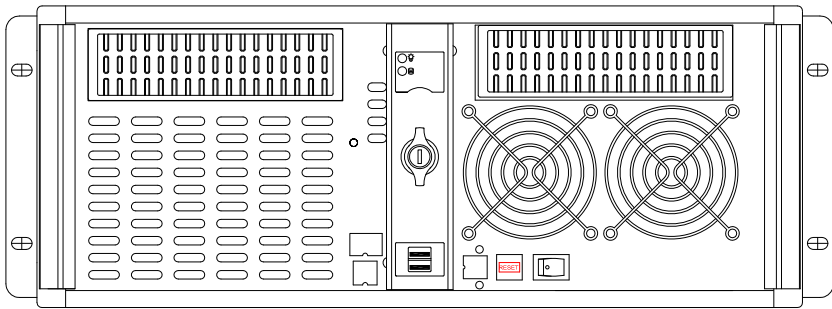


4

5

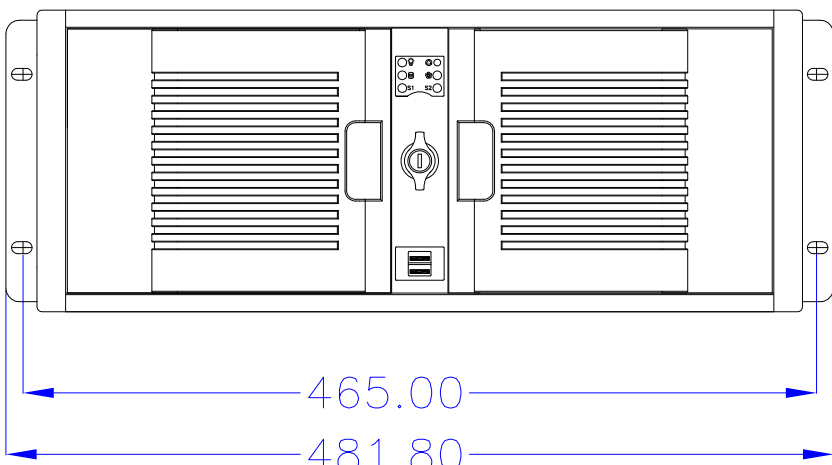
6

7



8

9



10

A B C D E F G

1

2

3

4

5

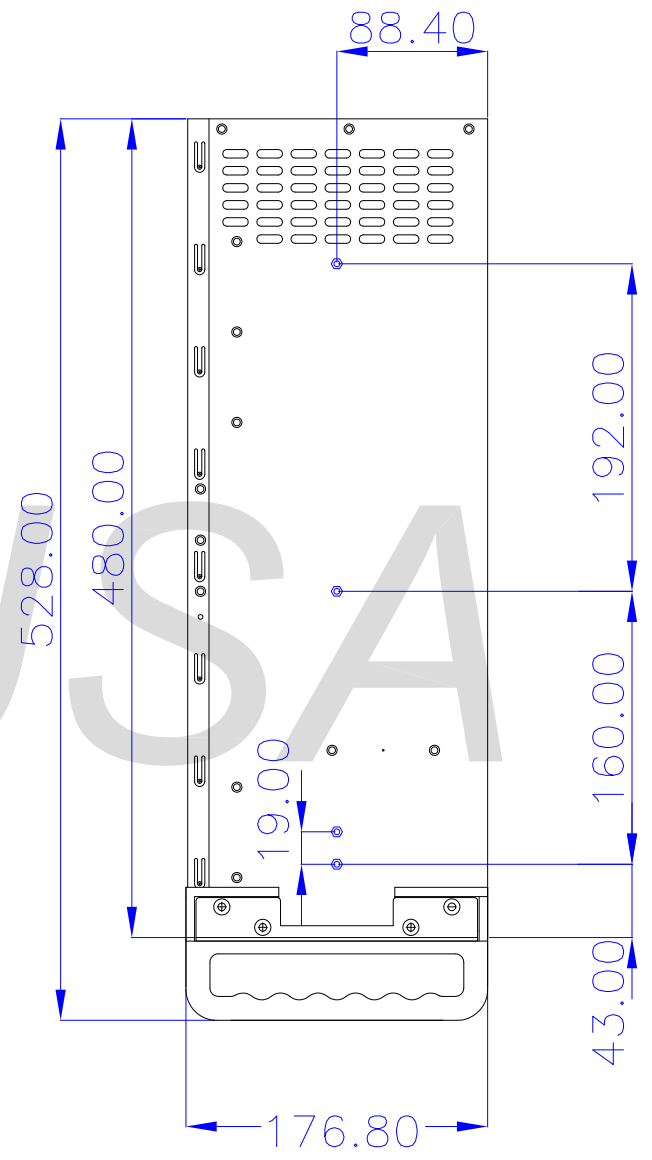
6

7

8

9

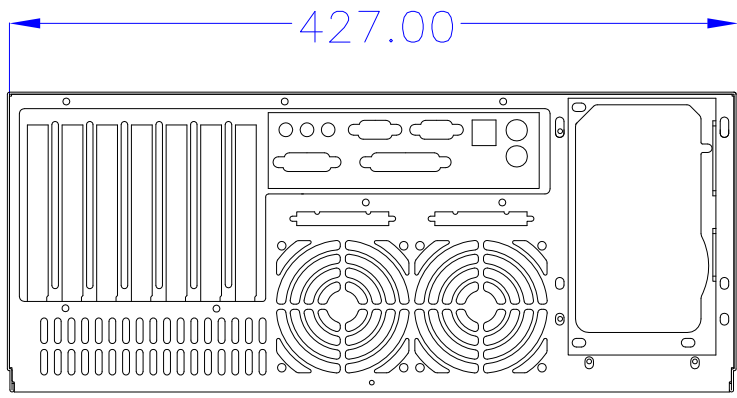
10



Model NO.	D-400-2P	iStarUSA			
EXT	5.25" * 2	DATE	2008/09/10		
INT	3.5" * 8	PROJ	⊕		
M/B	12" * 9.6"	REV NO.	X	SCALE	1:1
SLOT	*7 (L-type)	DRAWN	ANDY	UNIT	mm

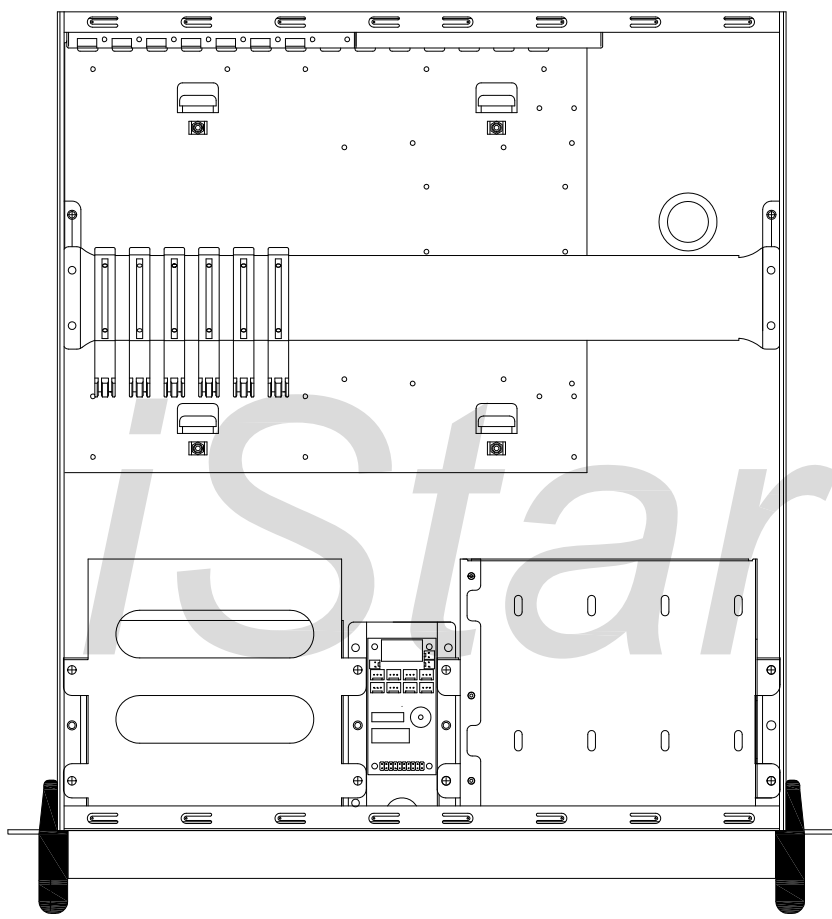
A | B | C | D | E | F | G

1



2

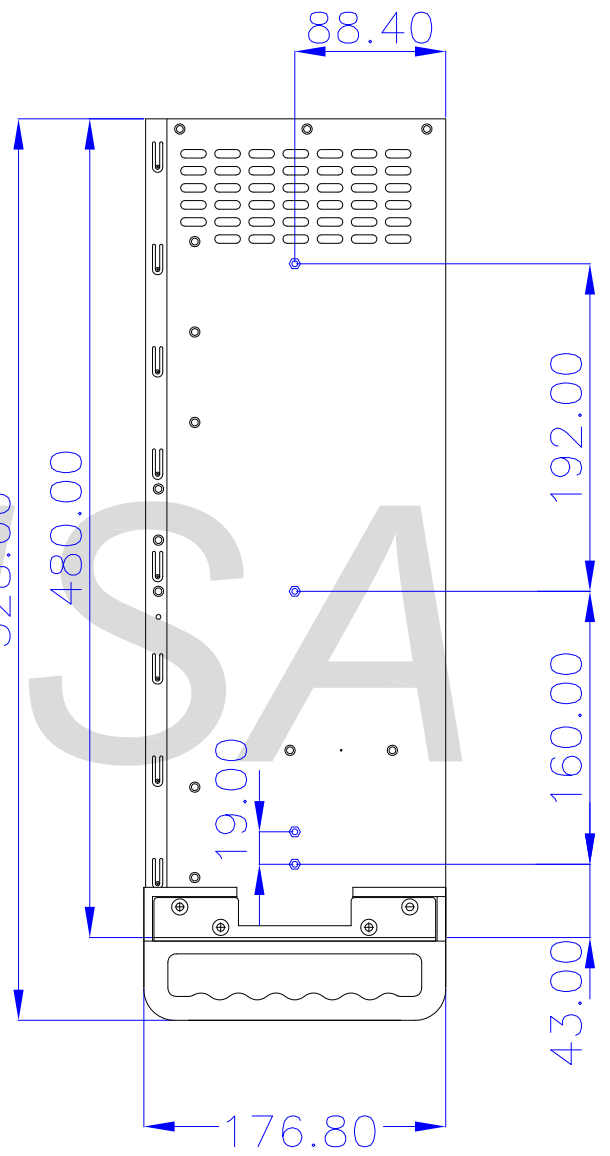
3



4

5

6



1

2

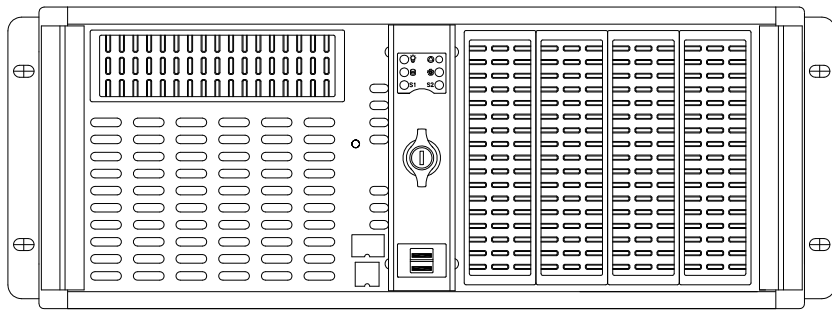
3

4

5

6

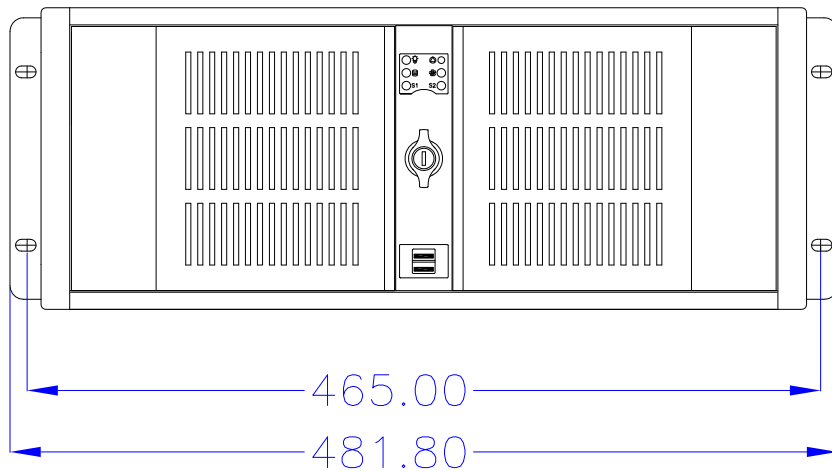
7



7

8

9



8

9

10

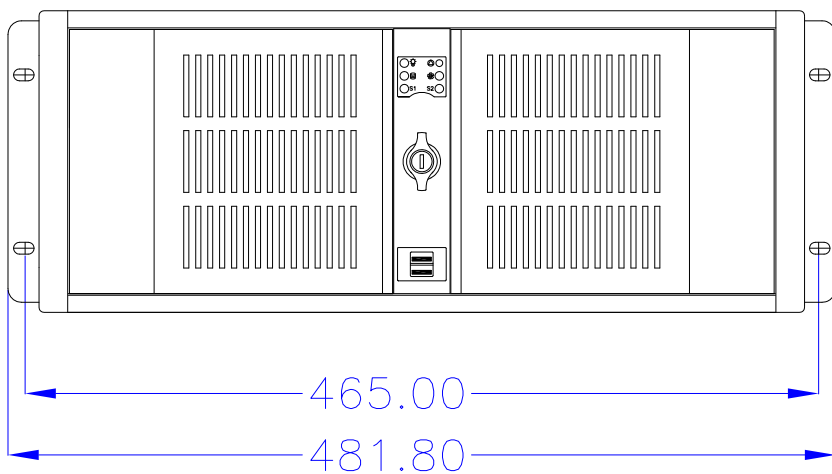
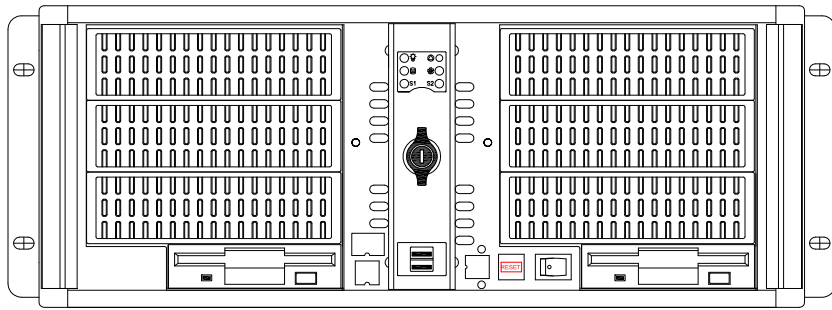
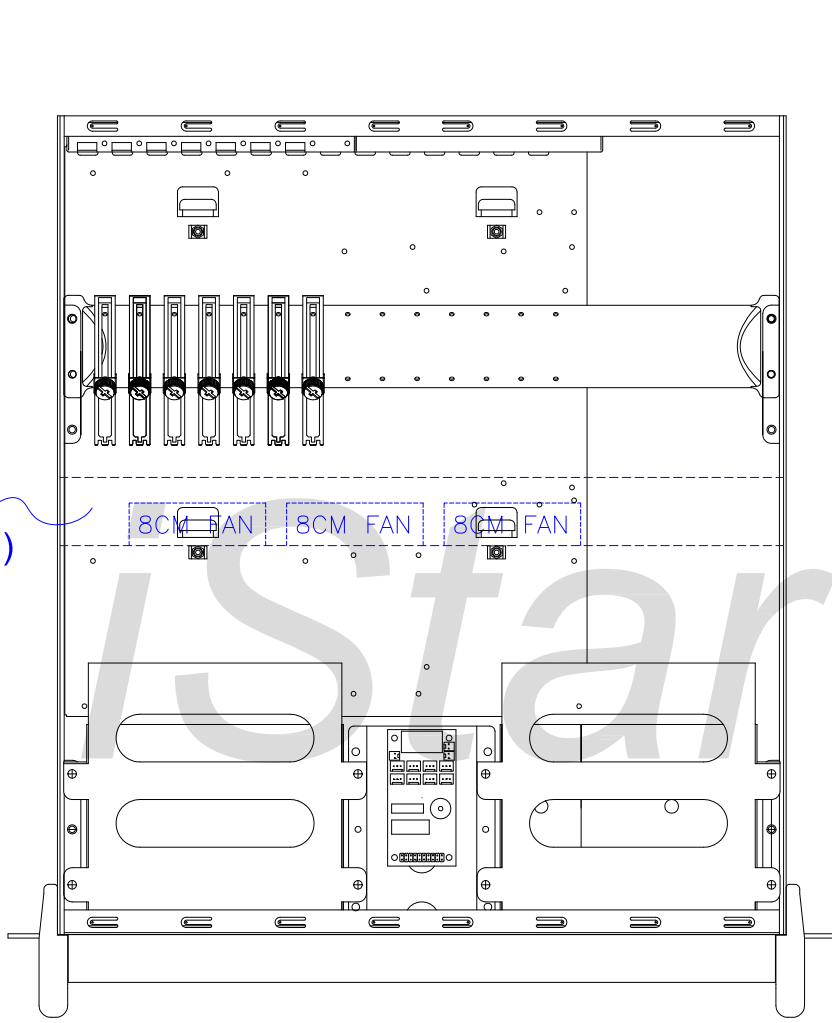
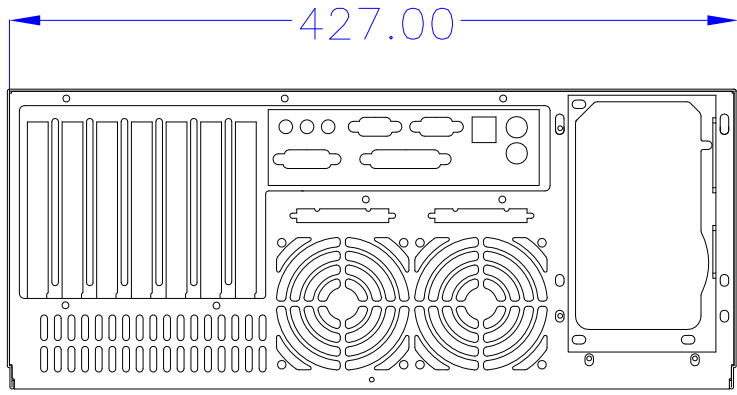
A | B | C | D | E | F | G

Model NO.	D-400-5	iStarUSA			
EXT	5.25" * 5	DATE	2008/09/10		
INT	3.5" * 1	PROJ			
M/B	12" * 9.6"	REV NO.	X	SCALE	1:1
SLOT	*7 (L-type)	DRAWN	ANDY	UNIT	mm

A B C D E F G

1
2
3
4
5
6
7
8
9
10

1
2
3
4
5
6
7
8
9
10



Model NO.	D-400-6	iStarUSA			
EXT	5.25" *6 + 3.5" *2	DATE	2008/09/10		
INT	3.5" *2	PROJ	⊕		
M/B	12" * 13"	REV NO.	X	SCALE	1:1
SLOT	*7 (L-type)	DRAWN	ANDY	UNIT	mm

A | B | C | D | E | F | G

1

2

3

4

5

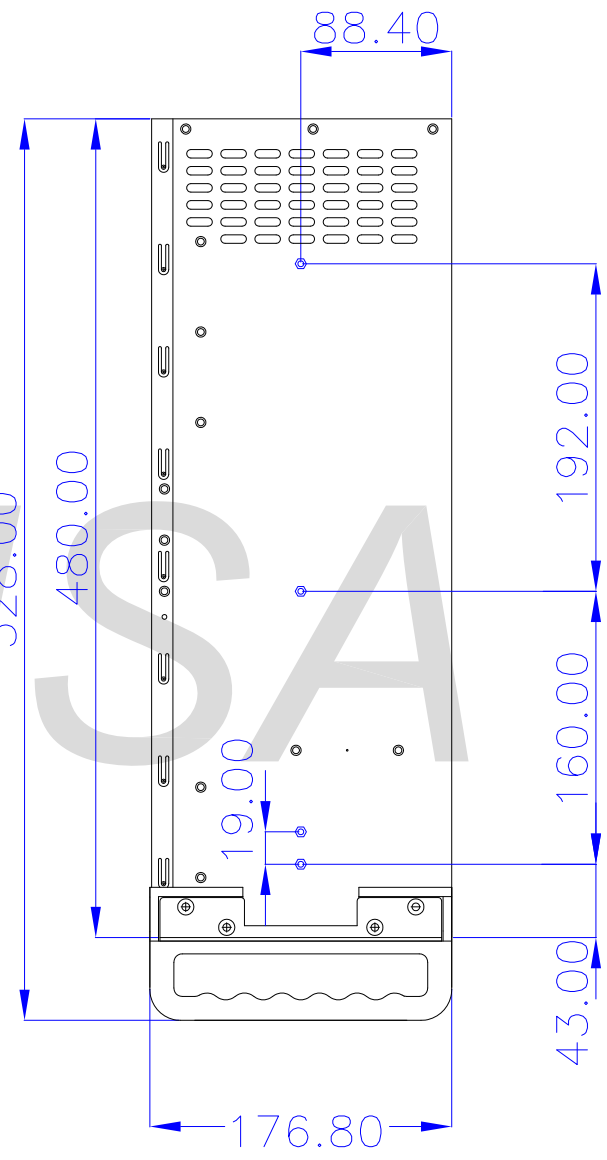
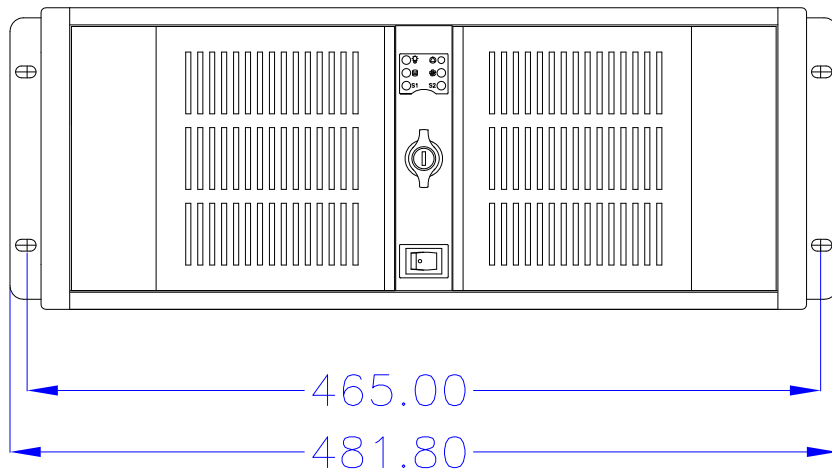
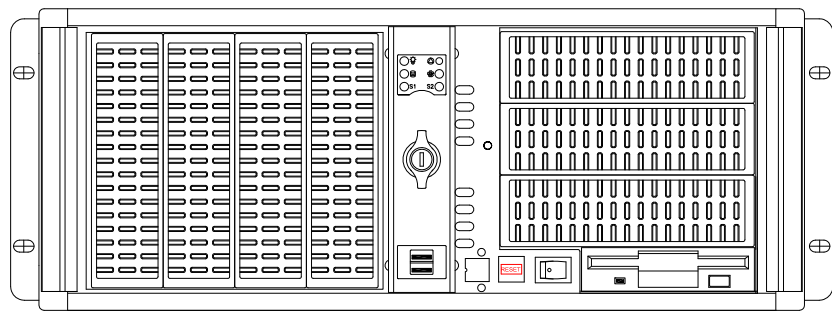
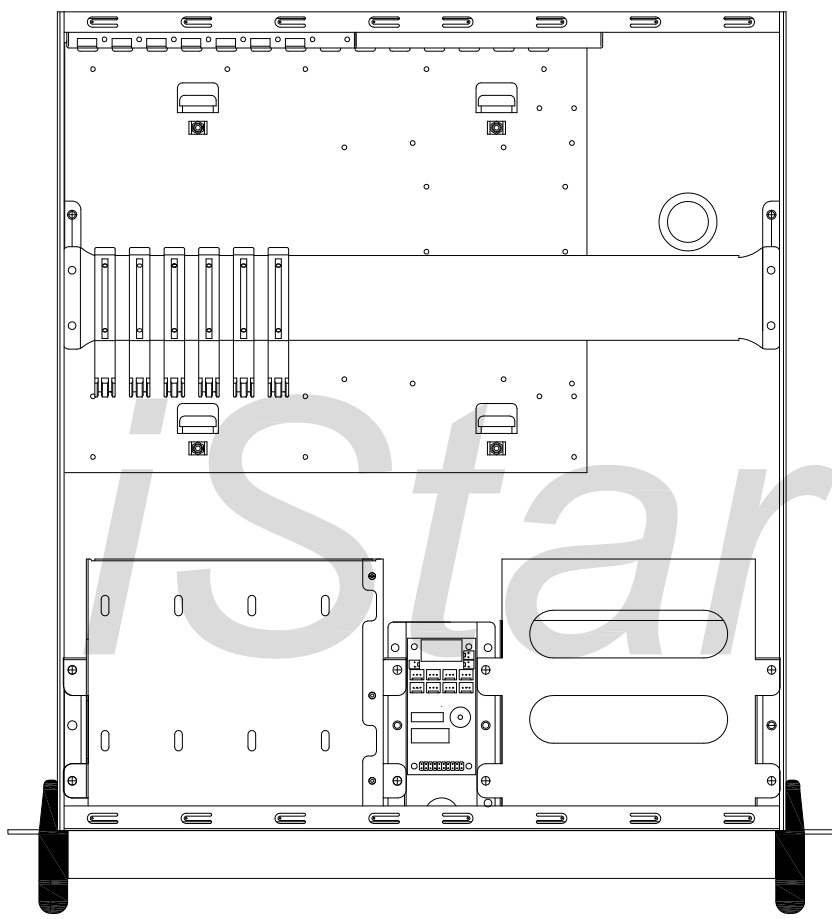
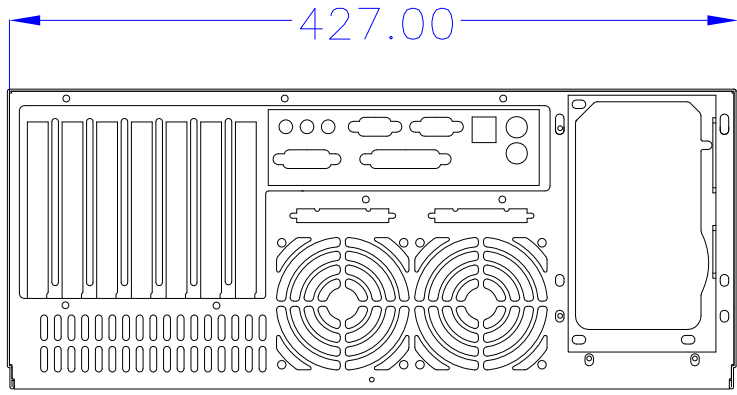
6

7

8

9

10

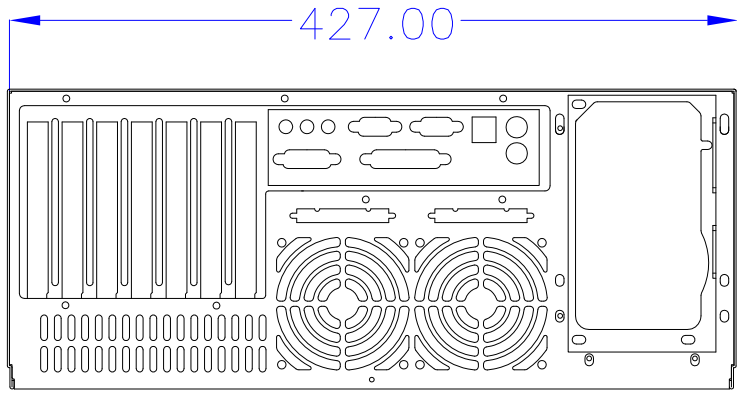


Model NO.	D-400-7	iStarUSA			
EXT	5.25" *7 + 3.5" *1	DATE	2008/09/10		
INT	3.5" *1	PROJ			
M/B	12" * 9.6"	REV NO.	X	SCALE	1:1
SLOT	*7 (L-type)	DRAWN	ANDY	UNIT	mm

A | B | C | D | E | F | G

A B C D E F G

1

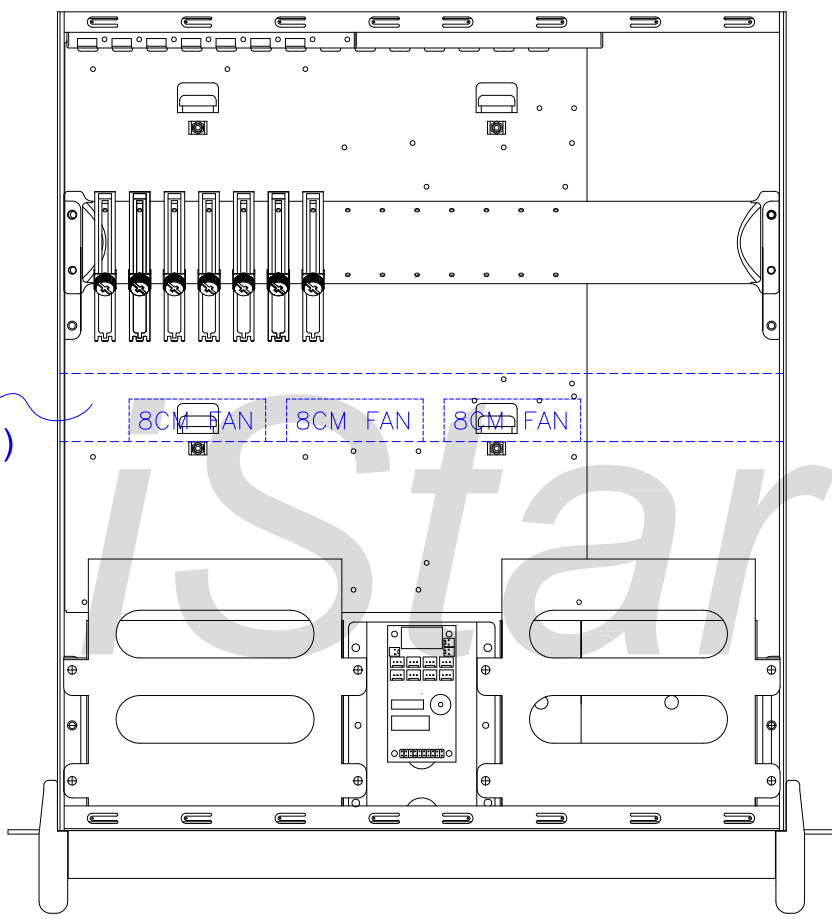


2

3

4

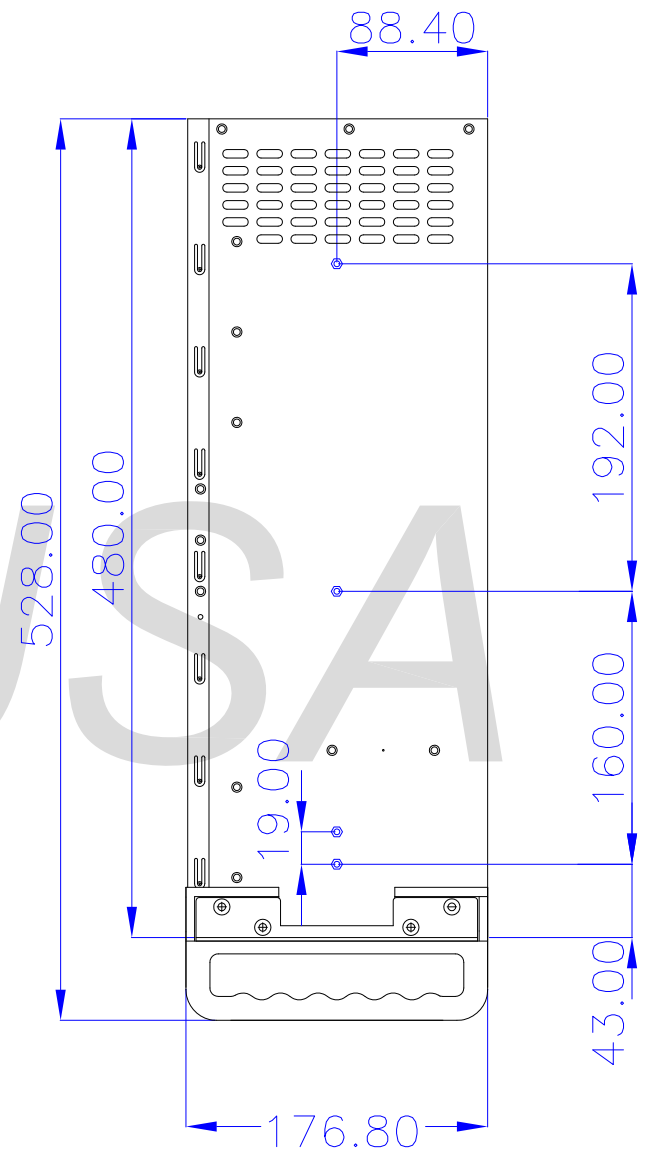
(8cm x3 Option)



5

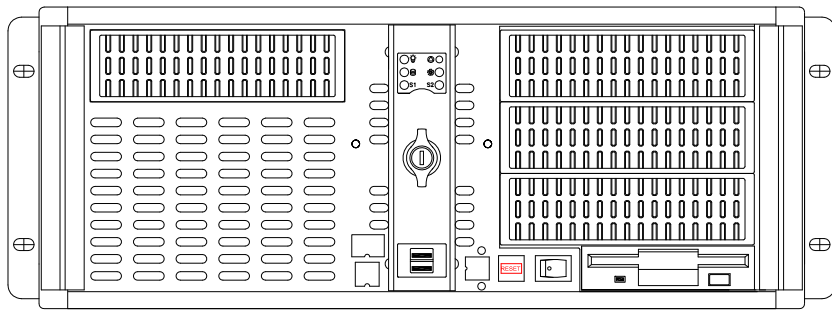
6

7

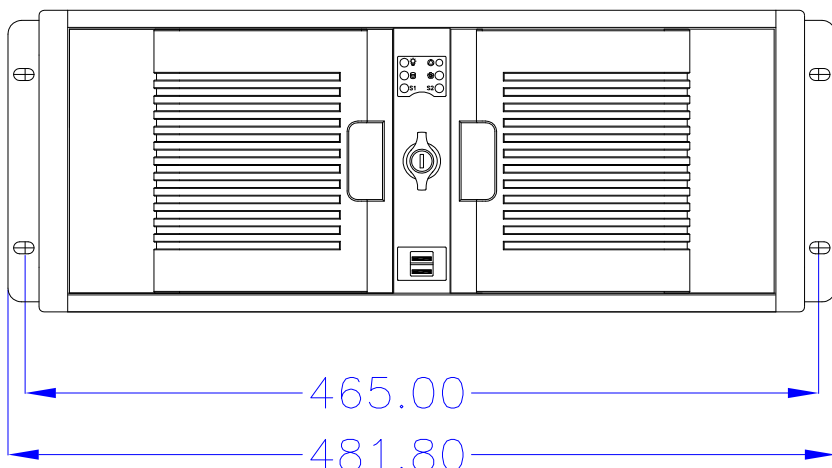


7

8



9



10

A B C D E F G

Model NO.	D-400-7P	iStarUSA			
EXT	5.25" *4 + 3.5" *1	DATE	2008/09/10		
INT	3.5" *2	PROJ			
M/B	12" * 13"	REV NO.	X	SCALE	1:1
SLOT	*7 (L-type)	DRAWN	ANDY	UNIT	mm

A | B | C | D | E | F | G

1

2

3

4

5

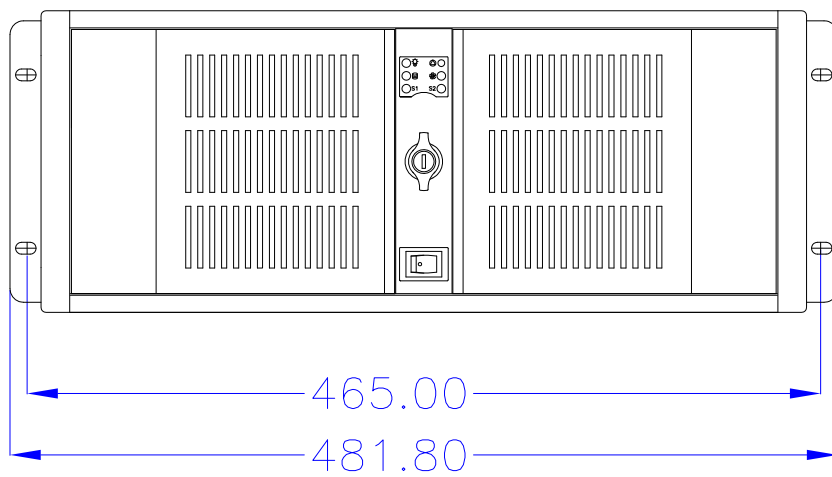
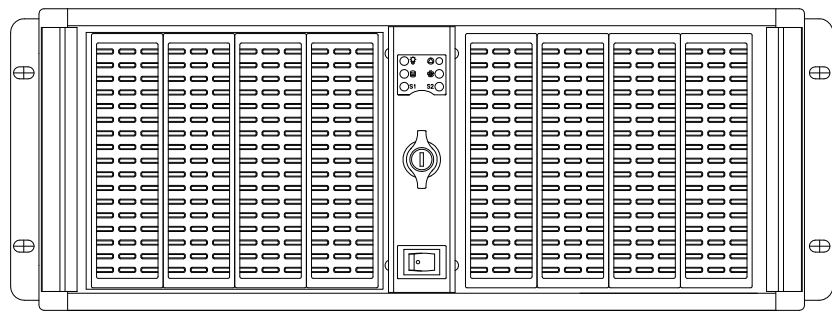
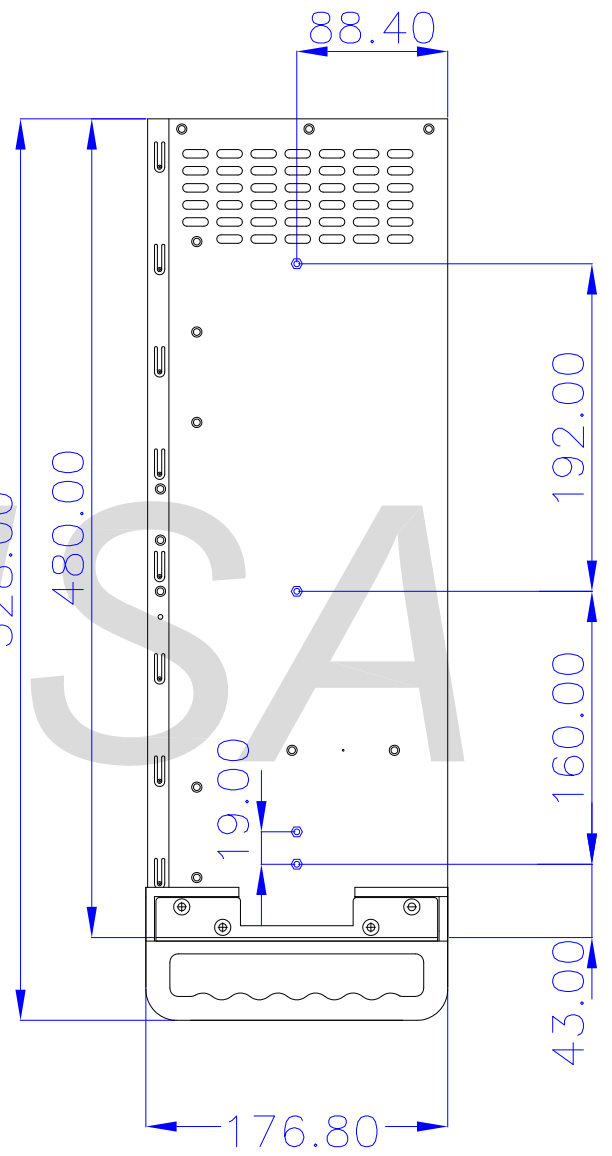
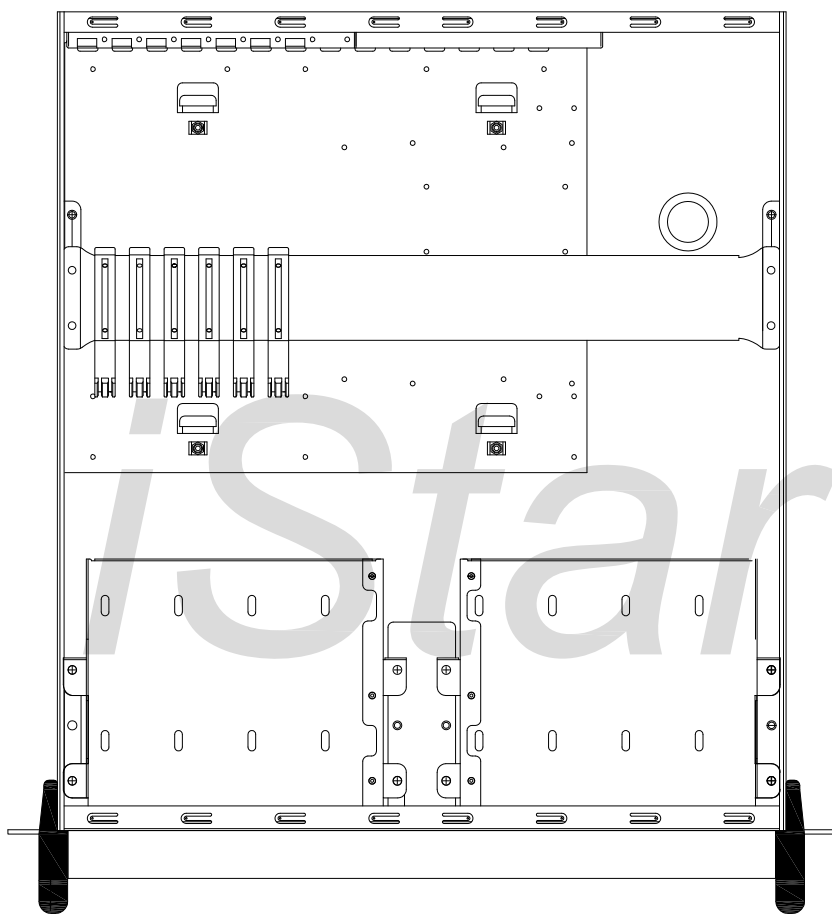
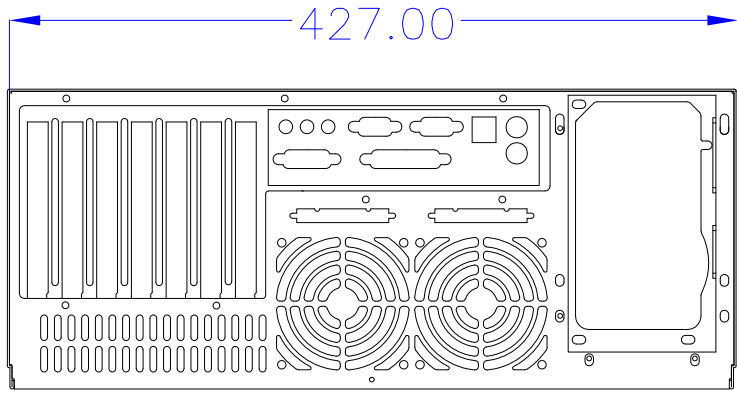
6

7

8

9

10



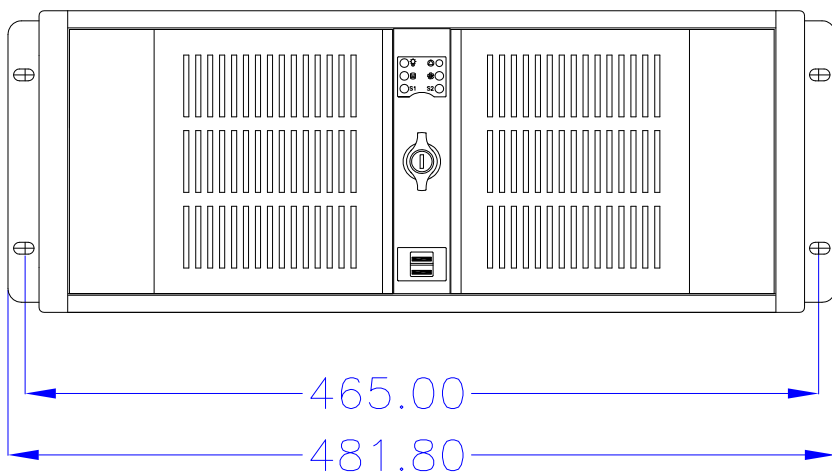
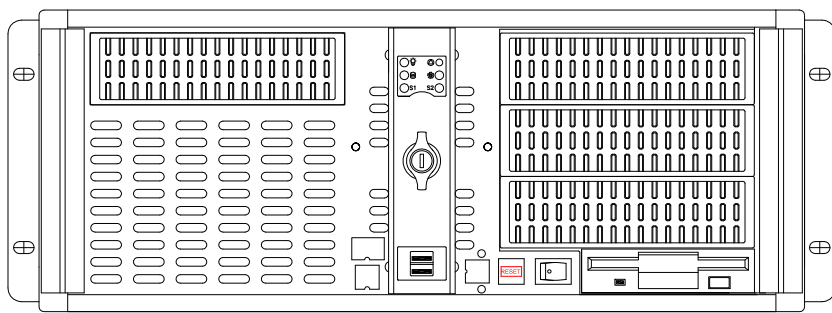
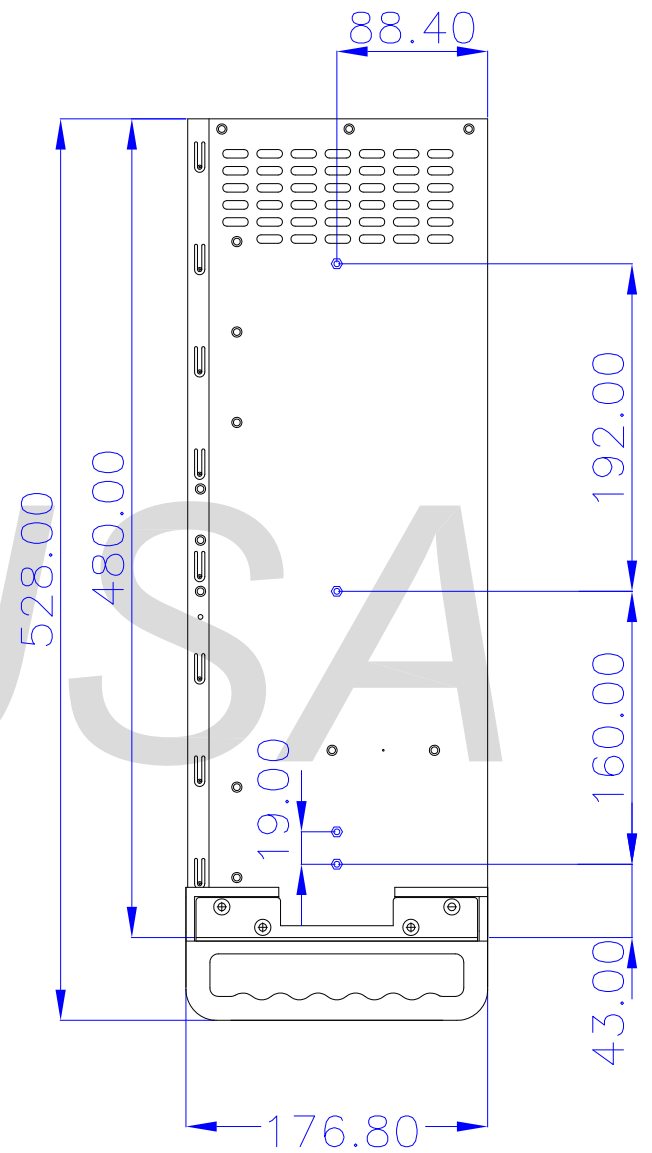
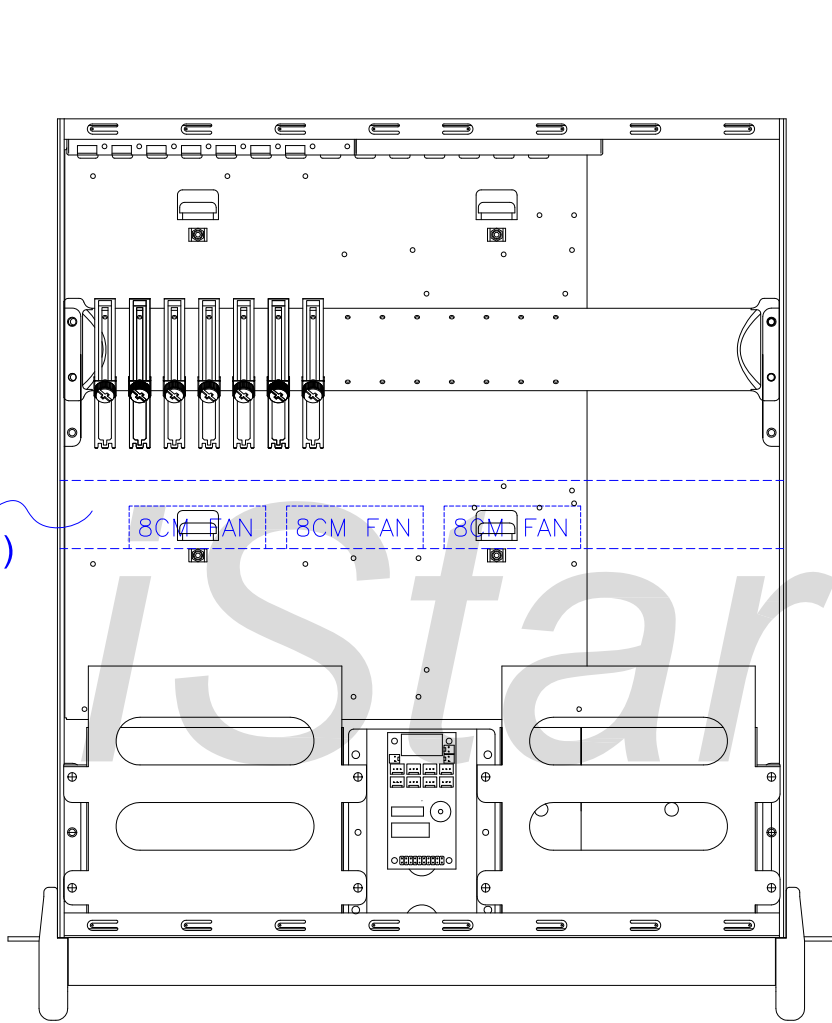
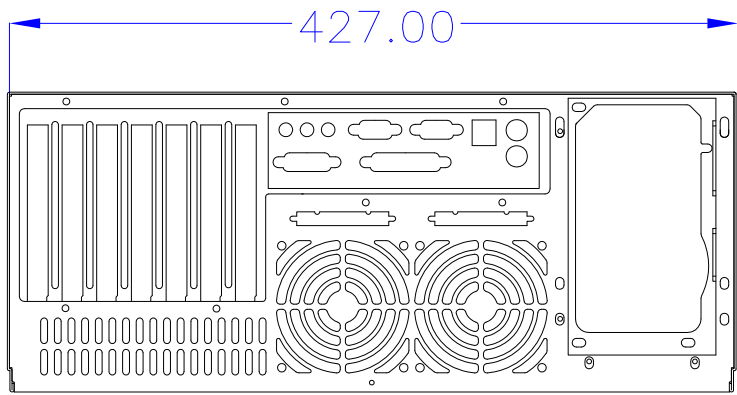
A | B | C | D | E | F | G

Model NO.	D-400-8	iStarUSA			
EXT	5.25" * 8	DATE	2008/09/10		
INT		PROJ			
M/B	12" * 9.6"	REV NO.	X	SCALE	1:1
SLOT	*7 (L-type)	DRAWN	ANDY	UNIT	mm

A B C D E F G

1
2
3
4
5
6
7
8
9
10

1
2
3
4
5
6
7
8
9
10



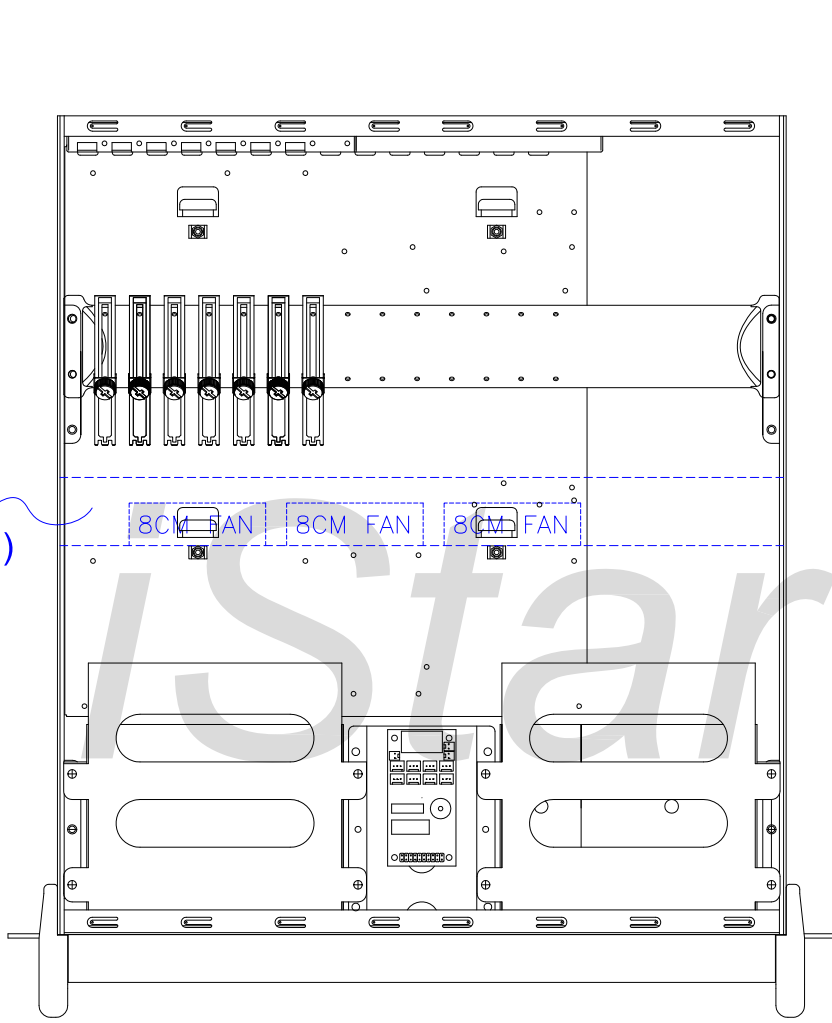
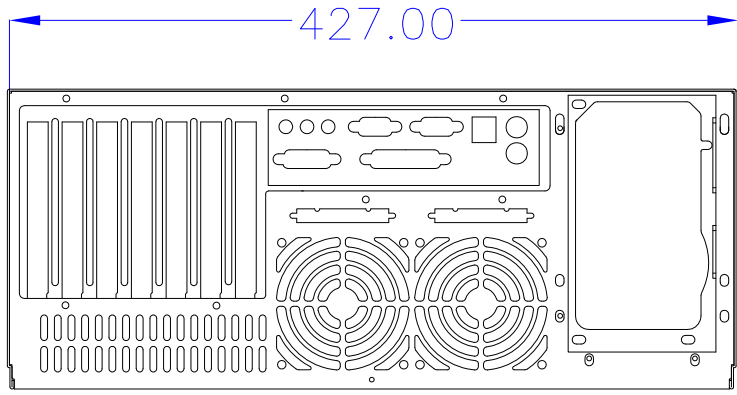
A B C D E F G

Model NO.	D-400A	iStarUSA			
EXT	5.25" *4 + 3.5" *1	DATE	2008/09/10		
INT	3.5" *2	PROJ			
M/B	12" * 13"	REV NO.	X	SCALE	1:1
SLOT	*7 (L-type)	DRAWN	ANDY	UNIT	mm

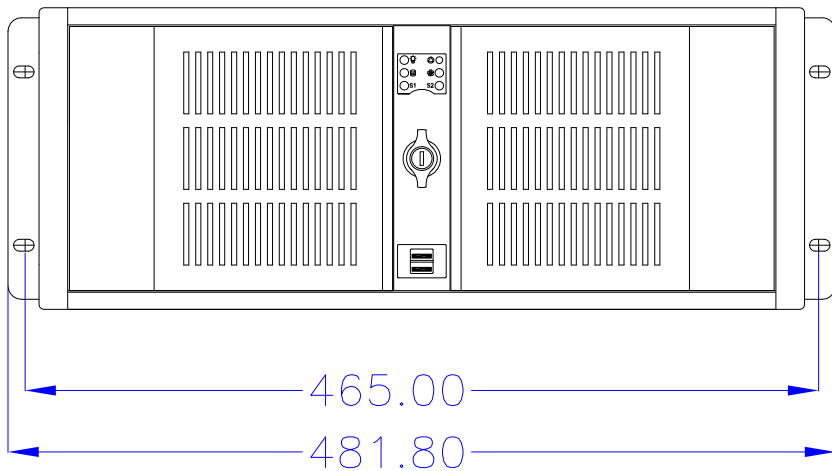
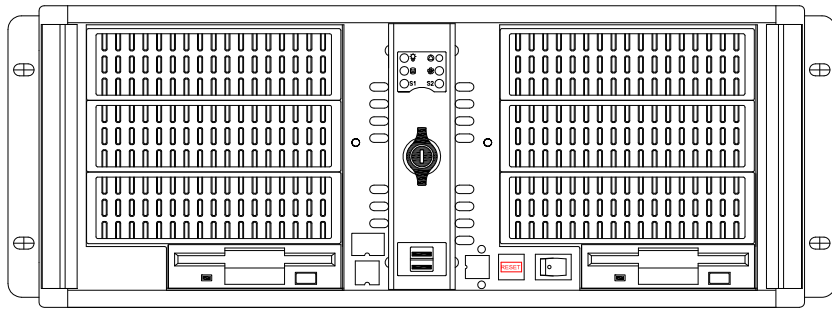
A B C D E F G

1
2
3
4
5
6
7
8
9
10

1
2
3
4
5
6
7
8
9
10



528.00



A B C D E F G

Model NO.	D-400A-6	iStarUSA			
EXT	5.25" *6 + 3.5" *2	DATE	2008/09/10		
INT	3.5" *2	PROJ	⊕		
M/B	12" * 13"	REV NO.	X	SCALE	1:1
SLOT	*7 (L-type)	DRAWN	ANDY	UNIT	mm

A B C D E F G

1

2

3

4

5

6

7

8

9

10

1

2

3

4

5

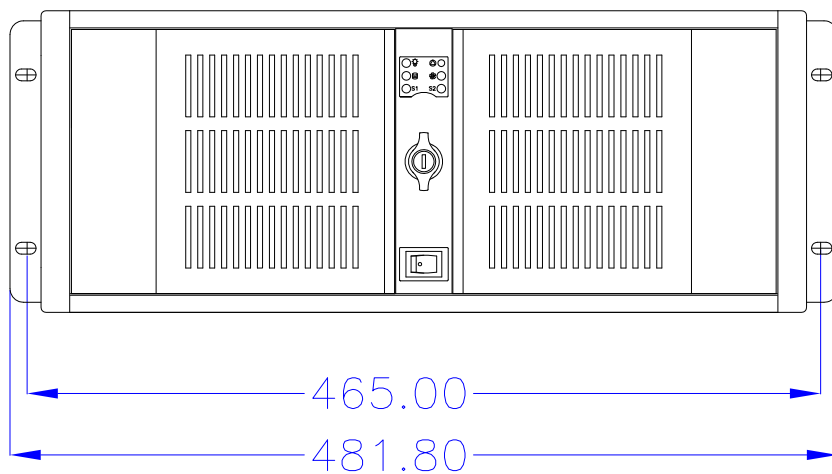
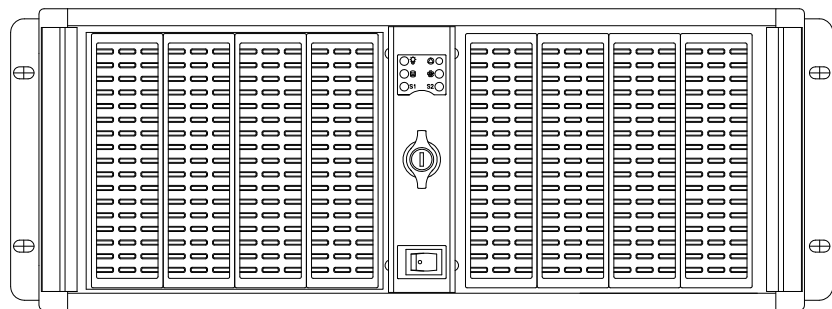
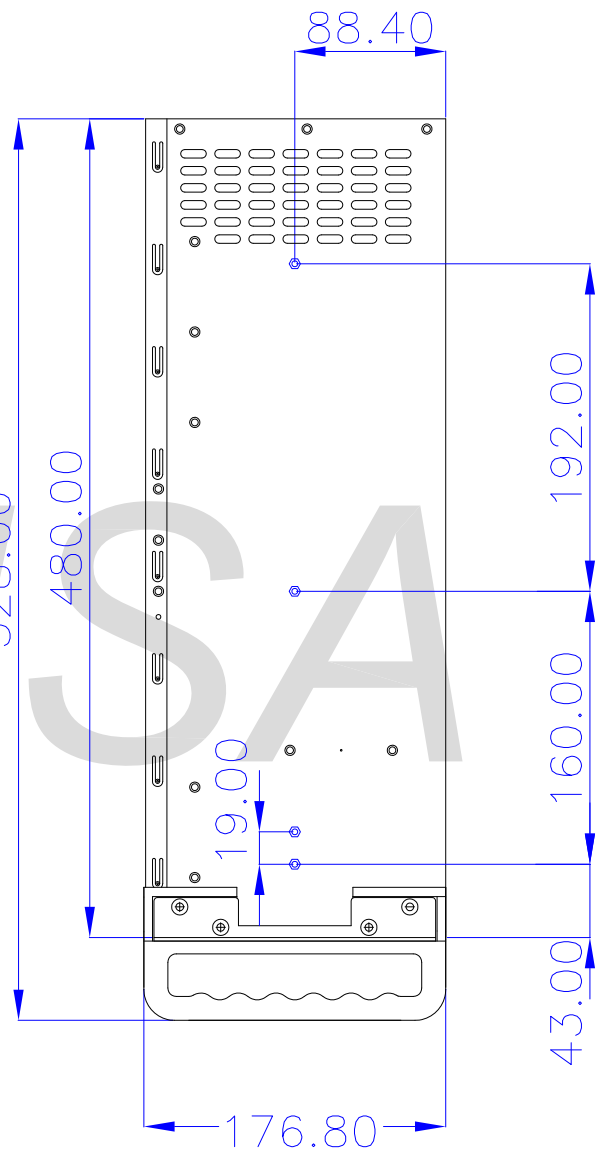
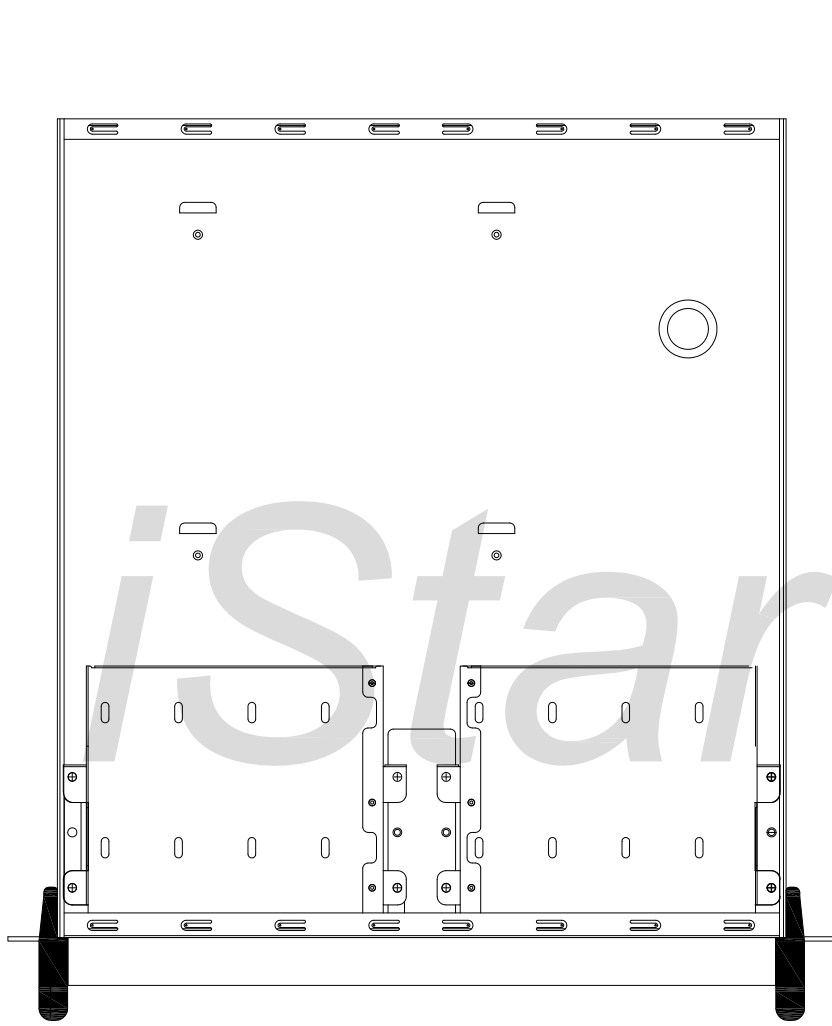
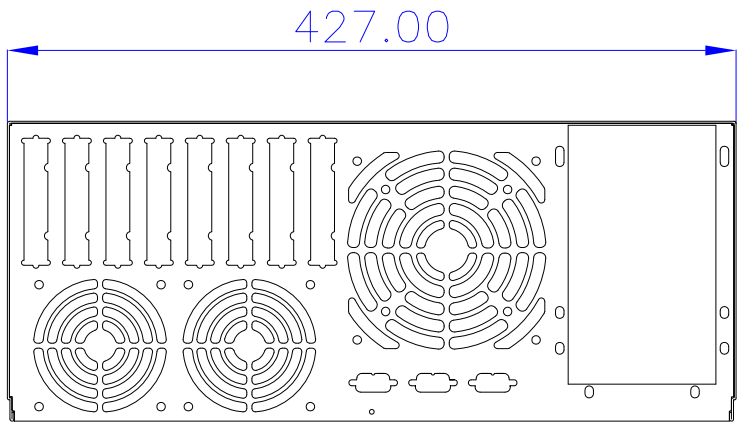
6

7

8

9

10

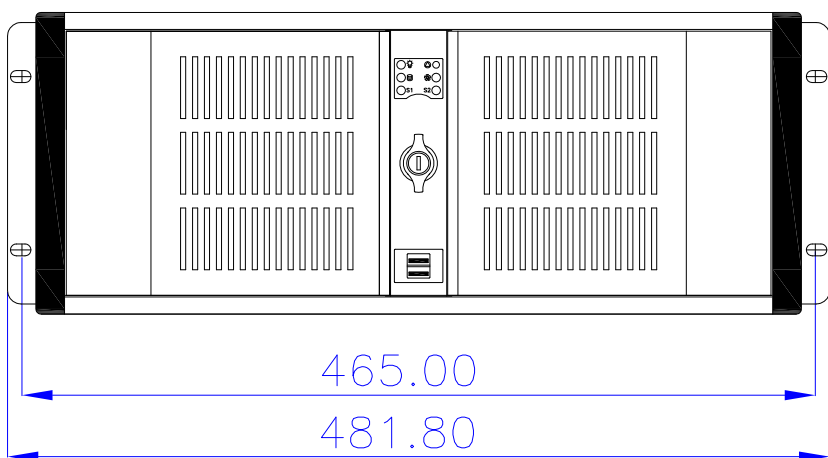
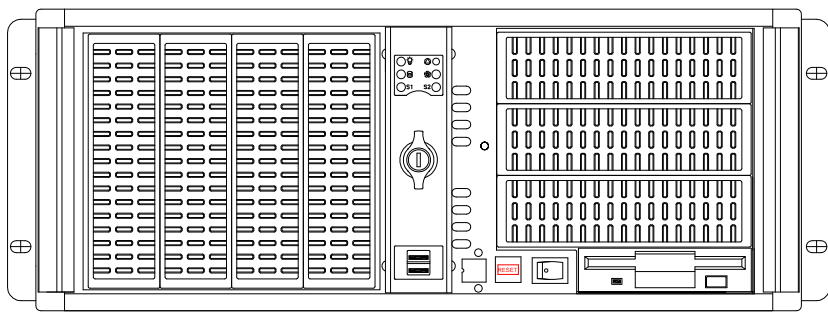
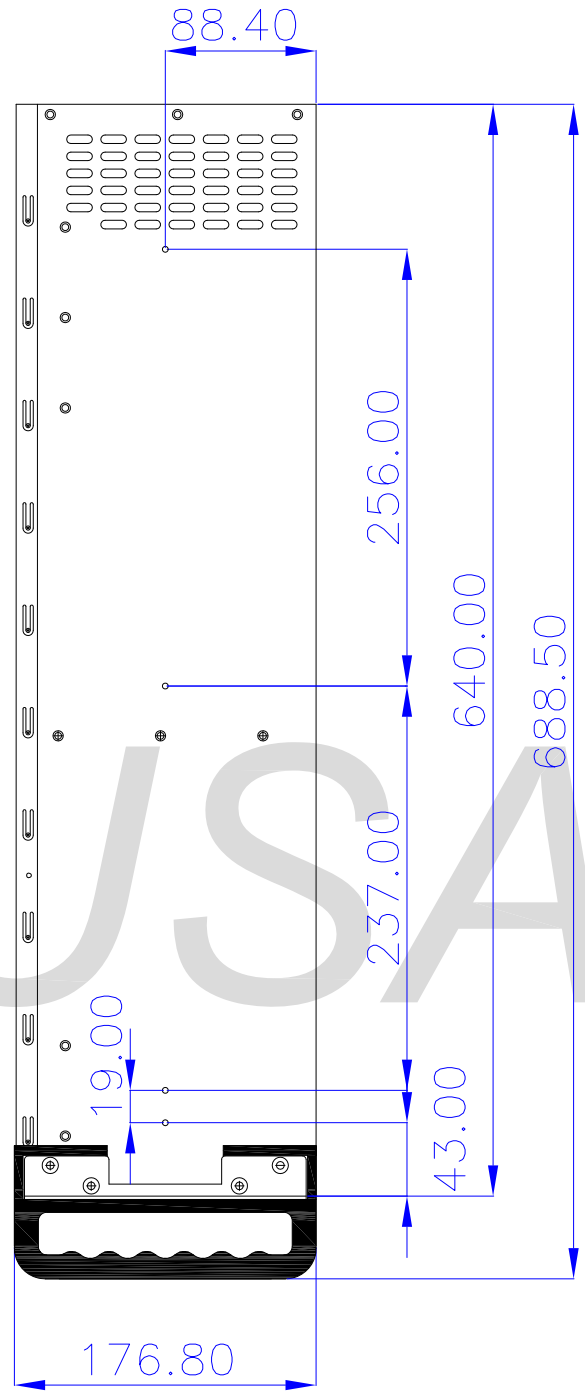
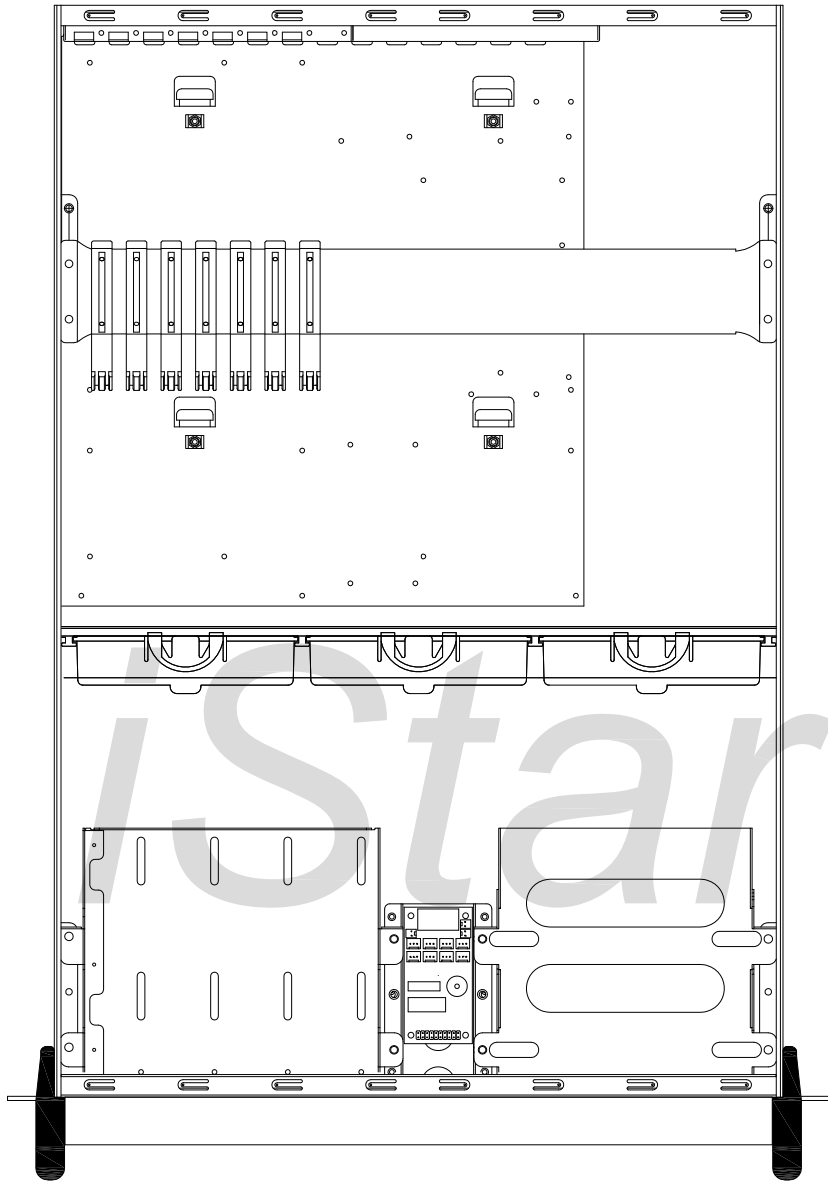
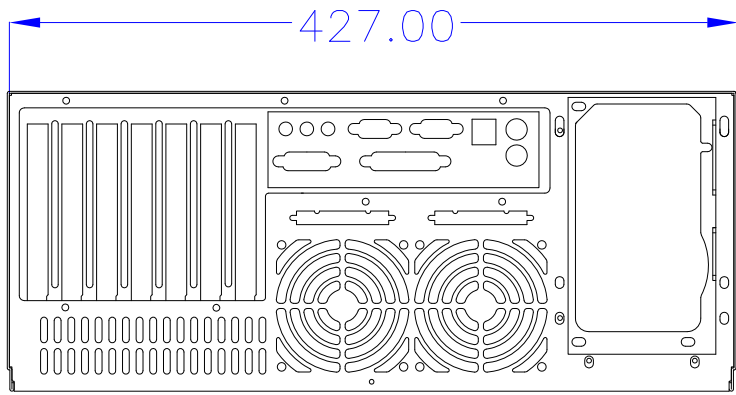


Model NO.	D-400-JB	iStarUSA			
EXT	5.25" *8	DATE	2008/09/10		
INT		PROJ	⊕		
M/B		REV NO.	X	SCALE	1:1
SLOT	*8	DRAWN	ANDY	UNIT	mm

A B C D E F G

1
2
3
4
5
6
7
8
9
10

1
2
3
4
5
6
7
8
9
10



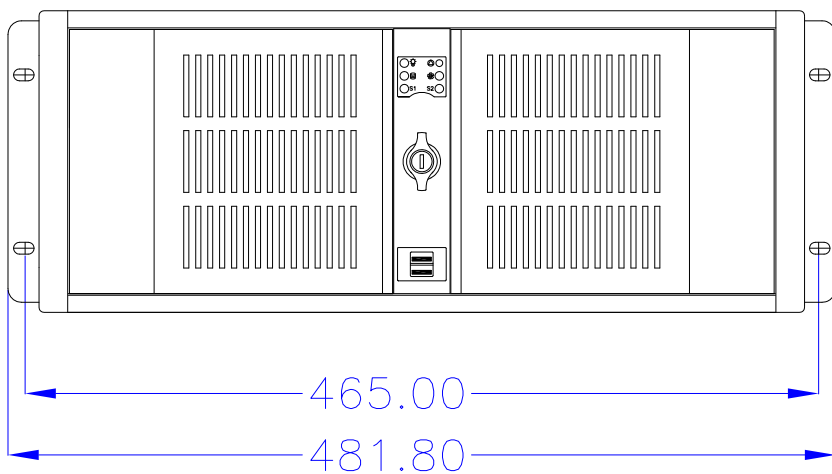
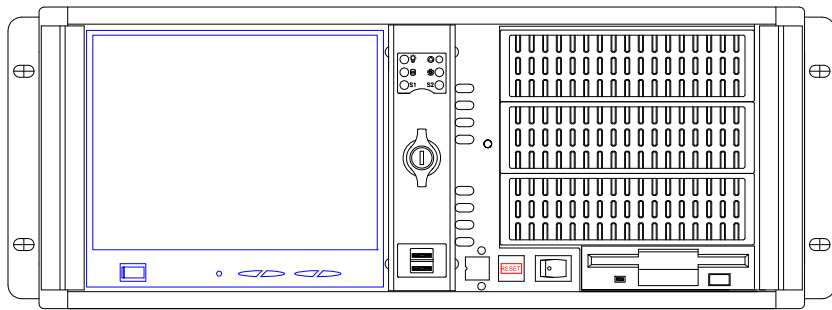
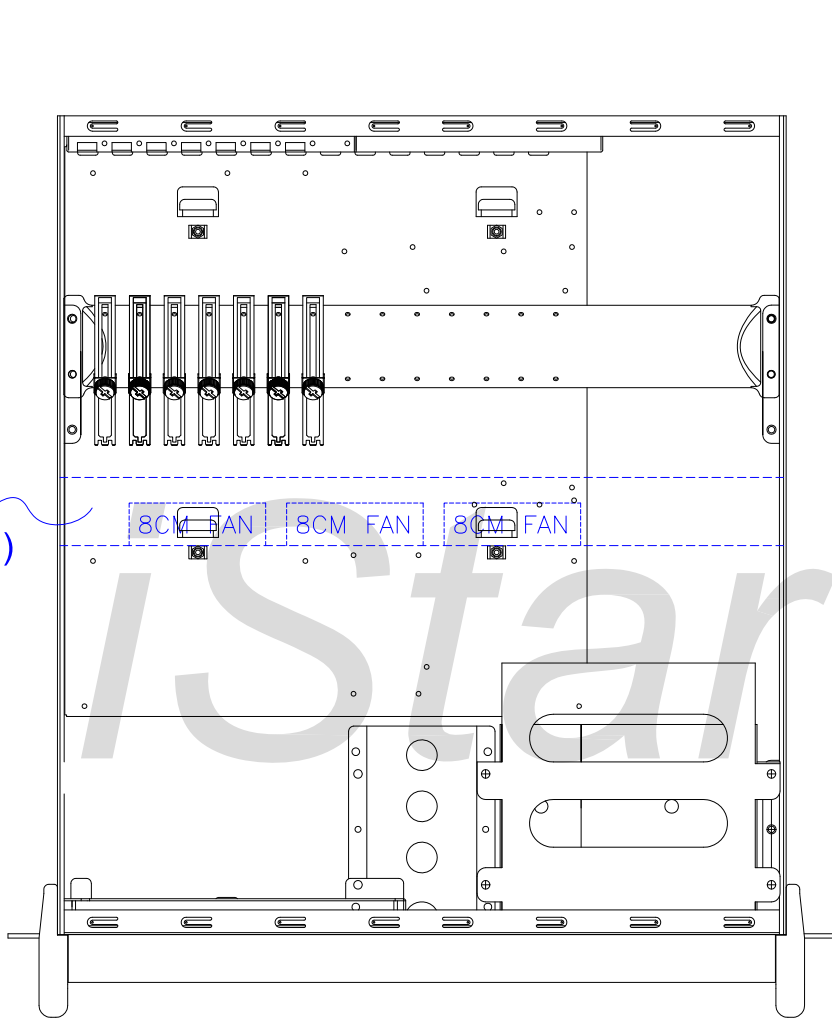
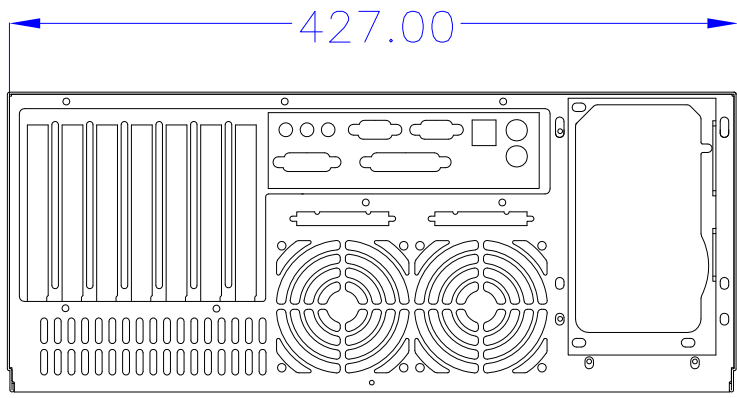
A B C D E F G

Model NO.	D-400L-7	iStarUSA			
EXT	5.25" *7 + 3.5" *1	DATE	2008/09/10		
INT	3.5" *2	PROJ			
M/B	12" * 13"	REV NO.	X	SCALE	1:1
SLOT	*7 (L-type)	DRAWN	ANDY	UNIT	mm

A | B | C | D | E | F | G

1
2
3
4
5
6
7
8
9
10

1
2
3
4
5
6
7
8
9
10

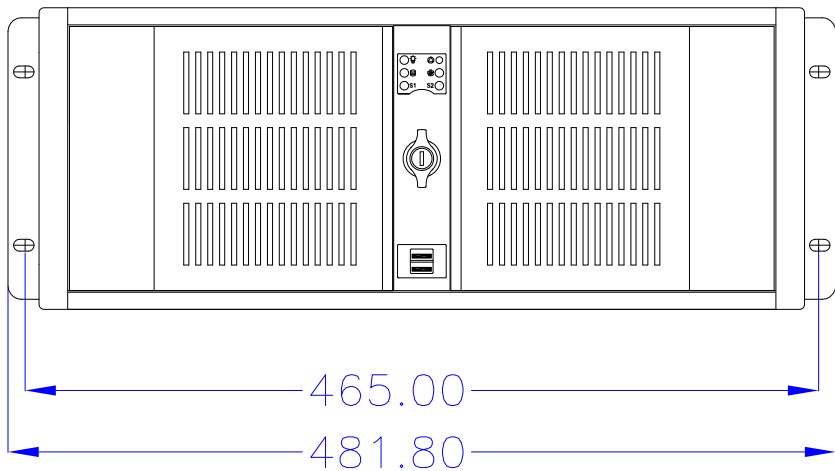
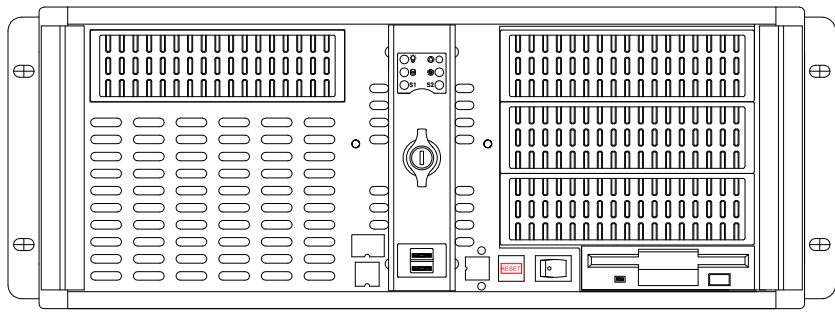
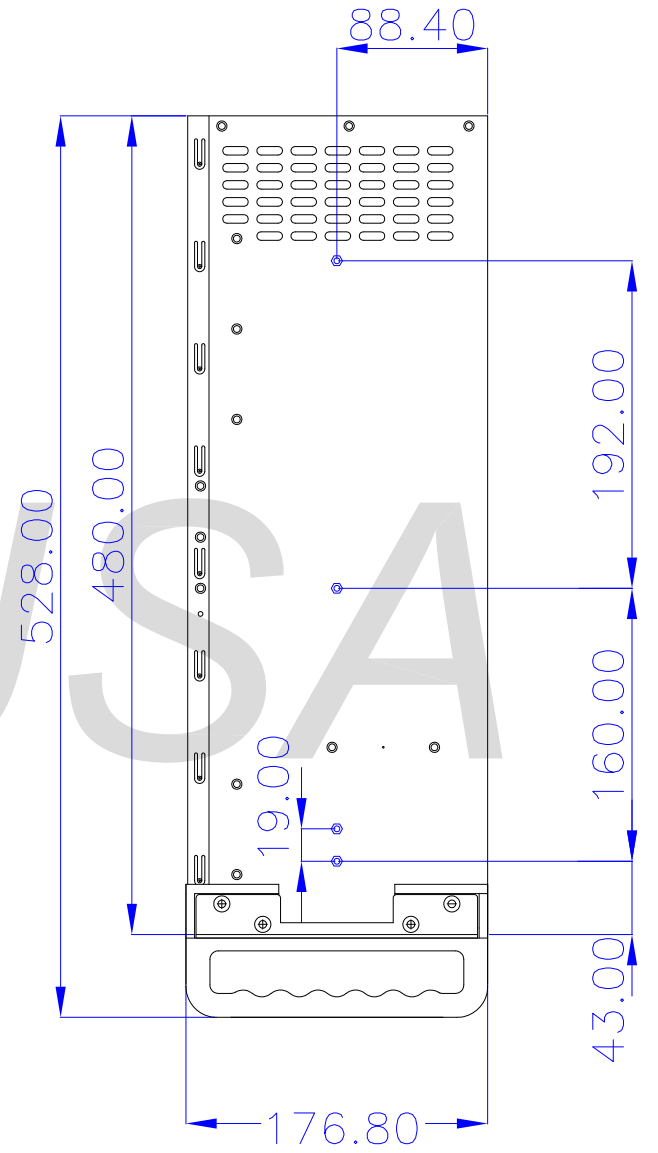
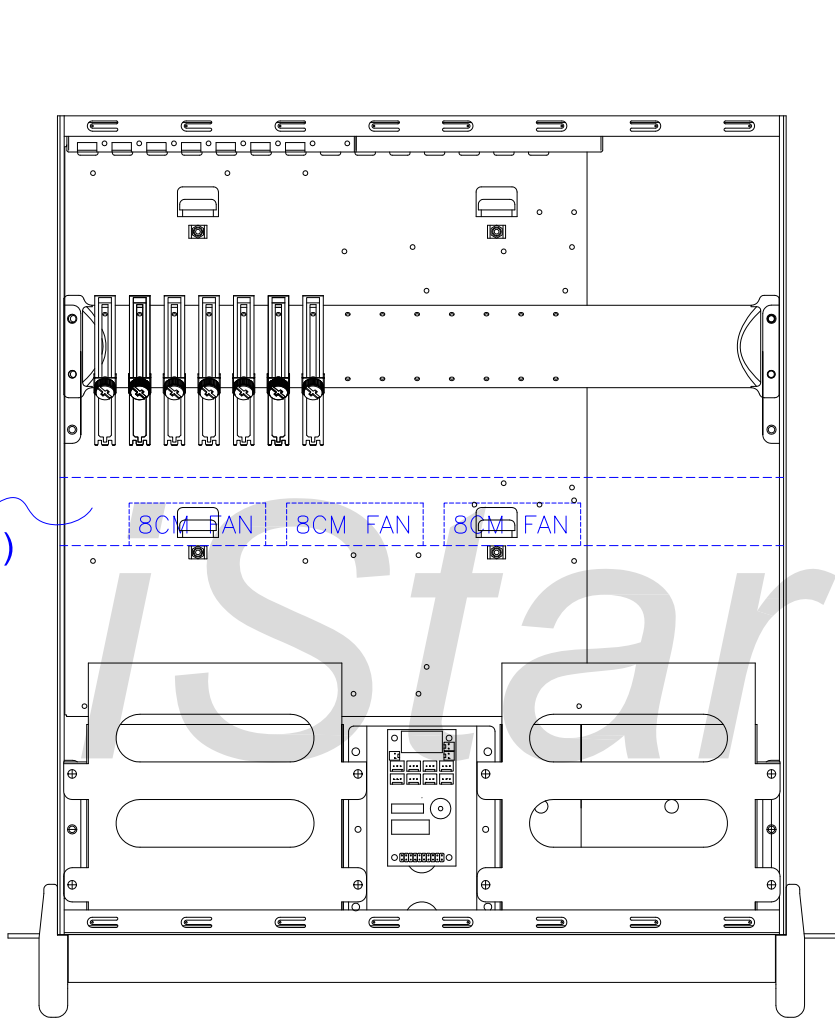
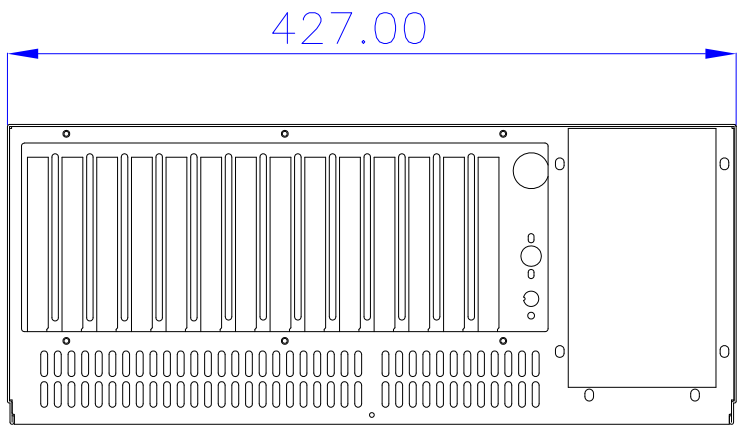


Model NO.	D-400-PTS8	iStarUSA			
EXT	5.25" *3 + 3.5" *1	DATE	2008/09/10		
INT	3.5" *1	PROJ	⊕		
M/B	12" * 13"	REV NO.	X	SCALE	1:1
SLOT	*7 (L-type)	DRAWN	ANDY	UNIT	mm

A B C D E F G

1
2
3
4
5
6
7
8
9
10

1
2
3
4
5
6
7
8
9
10



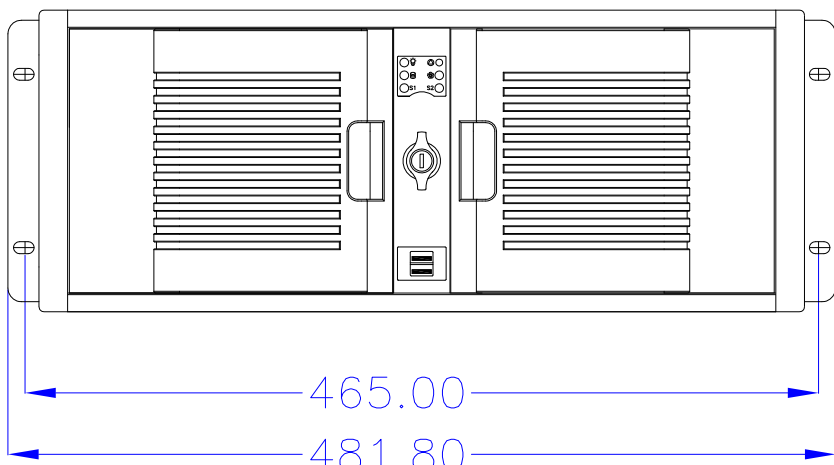
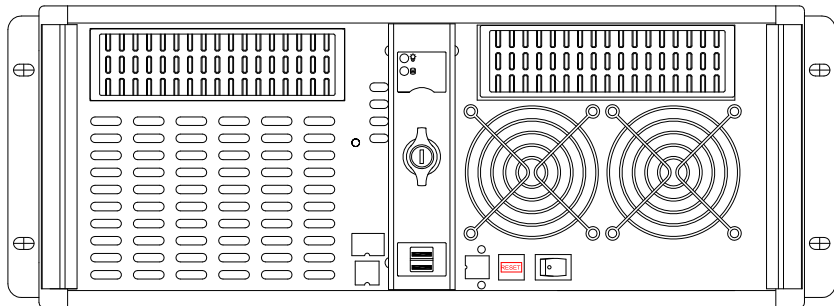
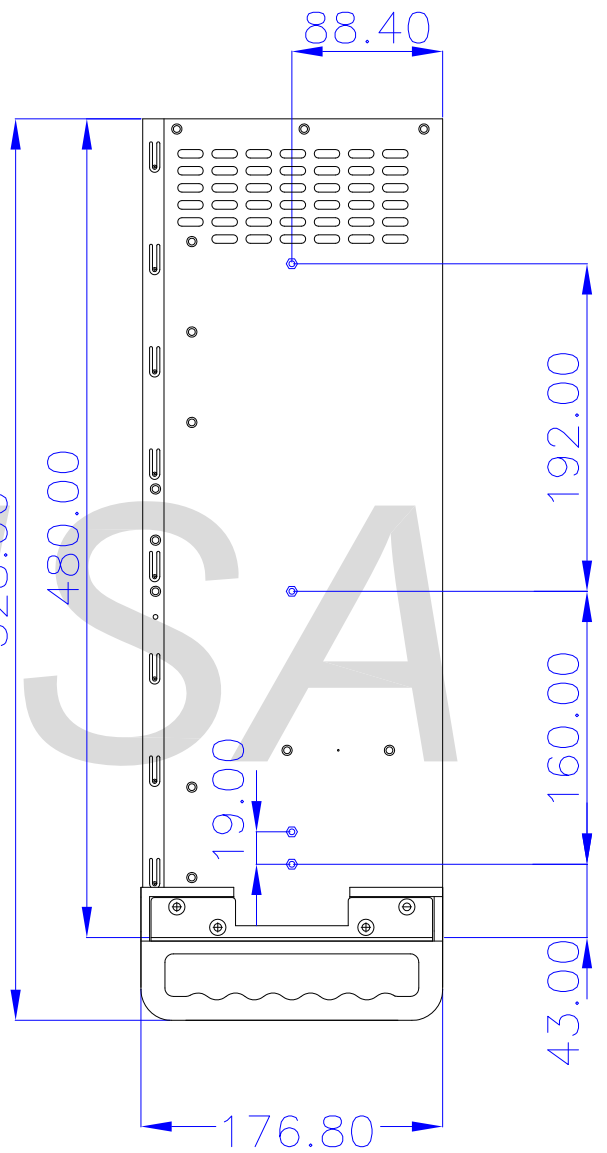
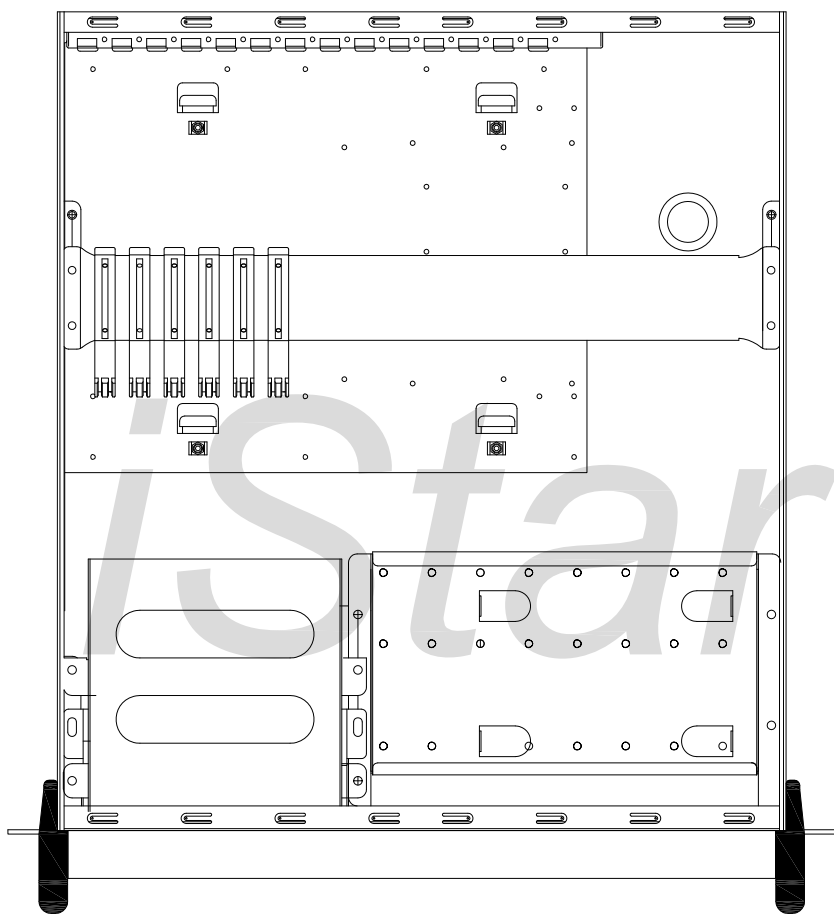
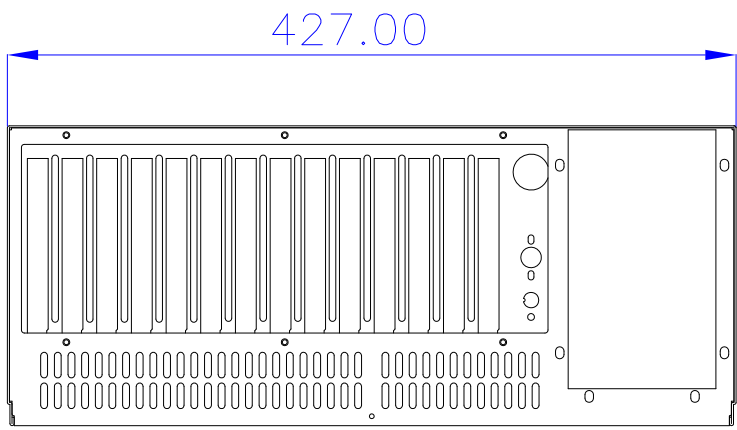
A B C D E F G

Model NO.	D-414	iStarUSA			
EXT	5.25" *4 + 3.5" *1	DATE	2008/09/10		
INT	3.5" *2	PROJ			
M/B	12" * 13"	REV NO.	X	SCALE	1:1
SLOT	*14 (SQ-type)	DRAWN	ANDY	UNIT	mm

A B C D E F G

1
2
3
4
5
6
7
8
9
10

1
2
3
4
5
6
7
8
9
10

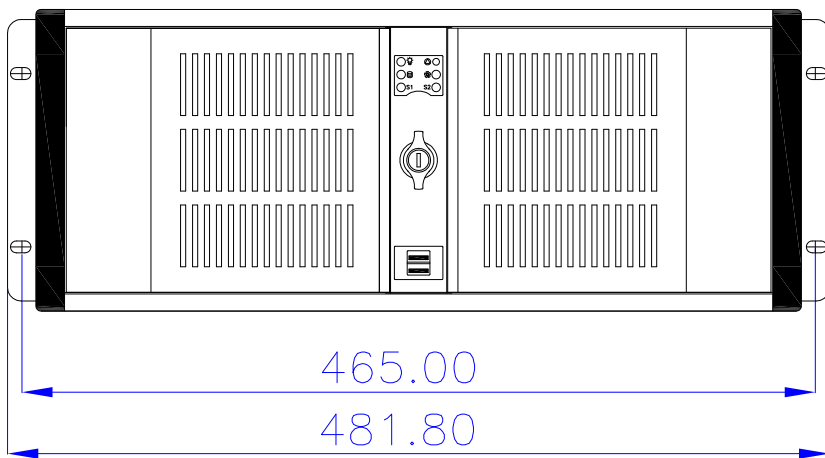
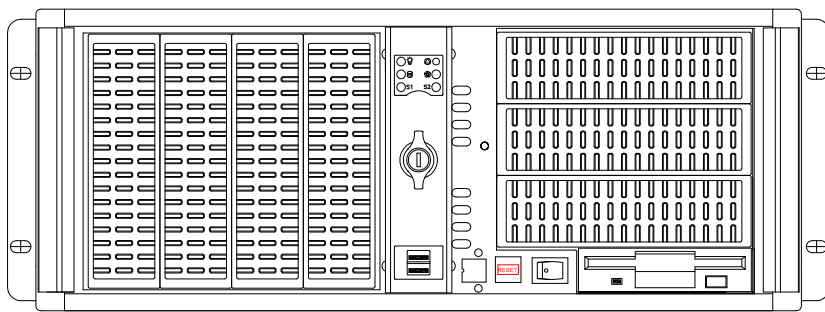
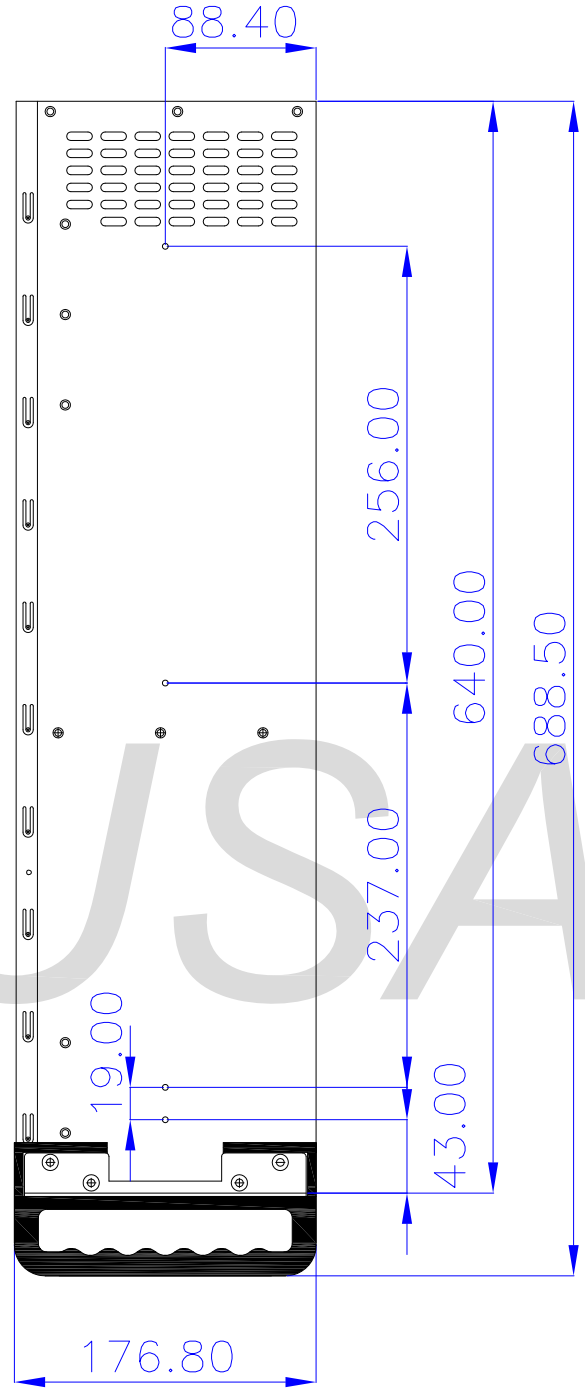
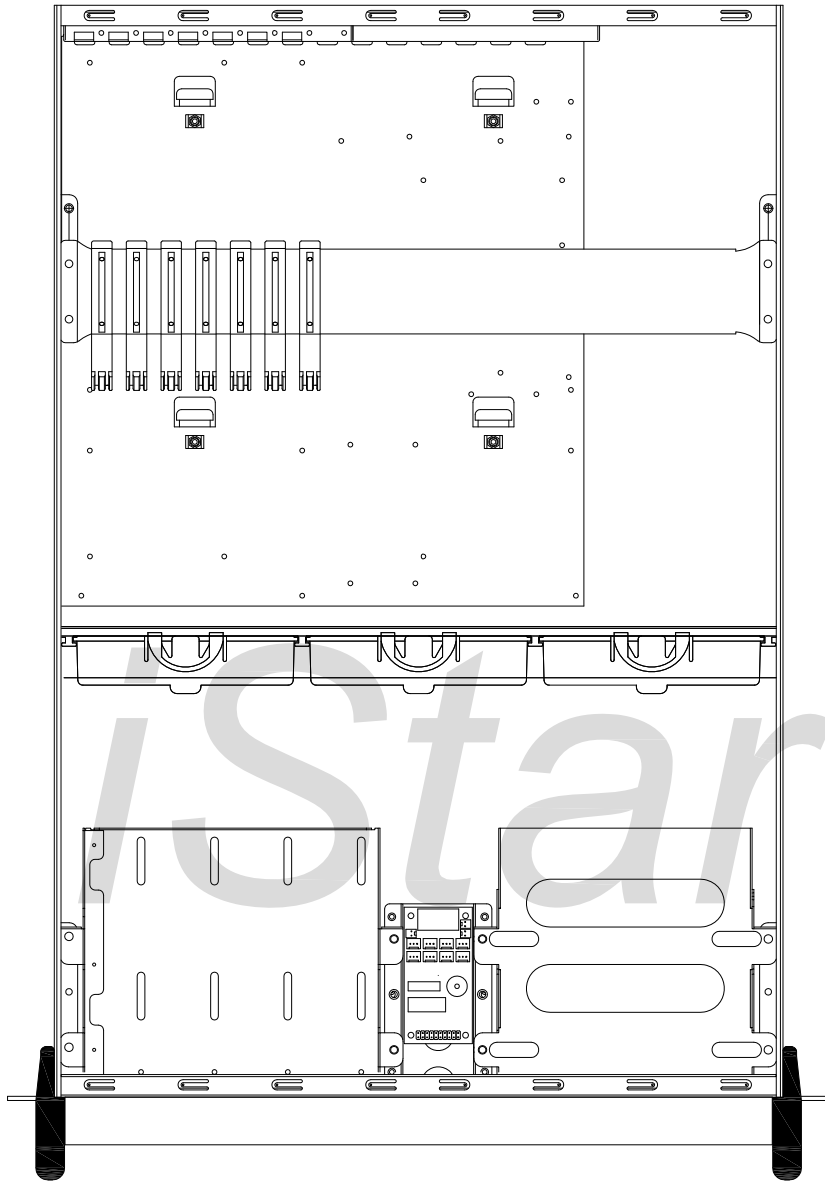
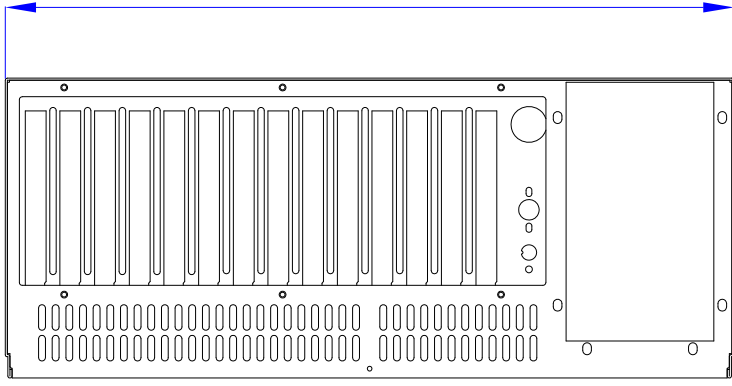


A B C D E F G

Model NO.	D-414-2P	iStarUSA			
EXT	5.25" * 2	DATE	2008/09/10		
INT	3.5" * 8	PROJ			
M/B	12" * 9.6"	REV NO.	X	SCALE	1:1
SLOT	*14 (SQ-type)	DRAWN	ANDY	UNIT	mm

A B C D E F G

427.00



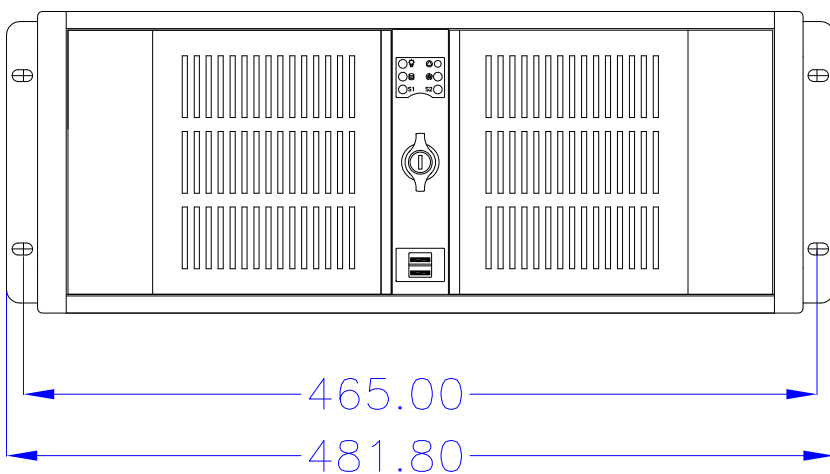
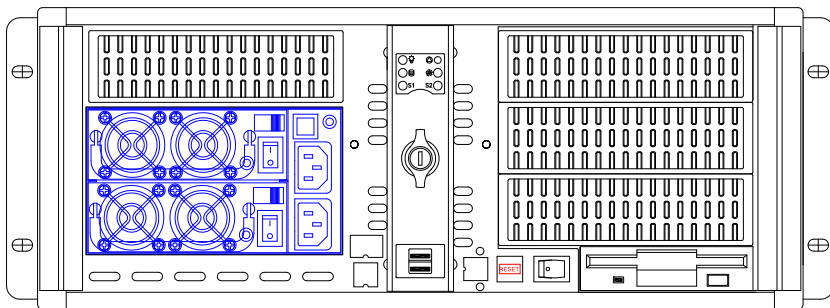
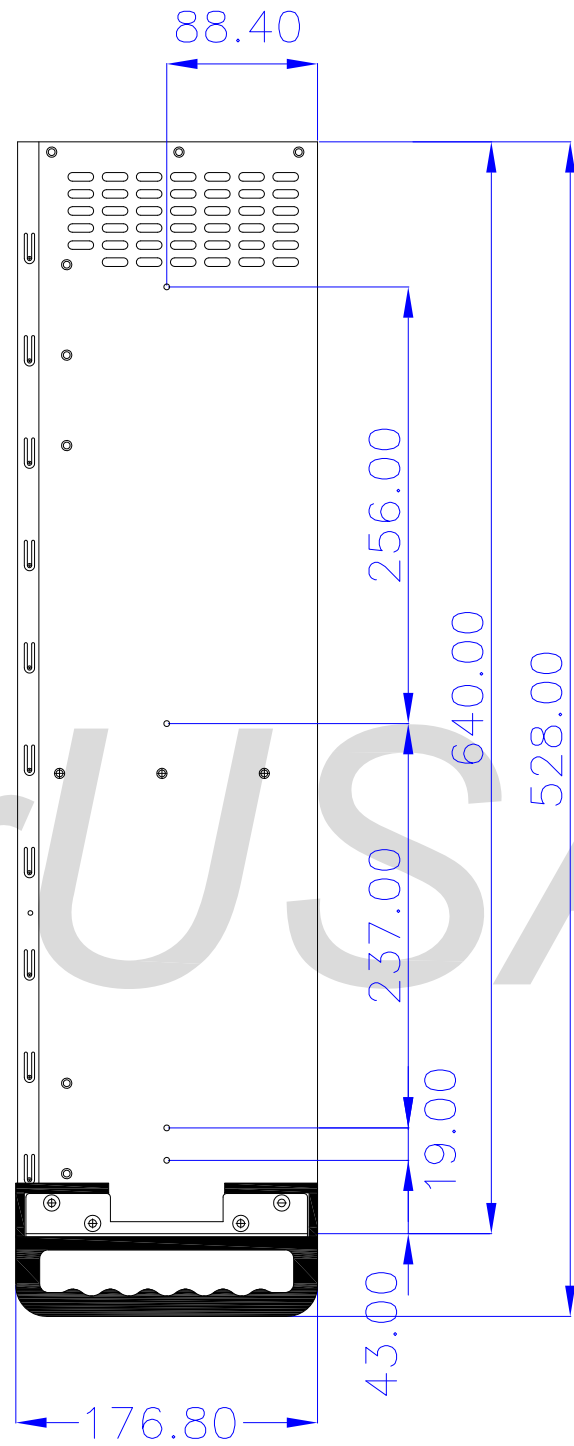
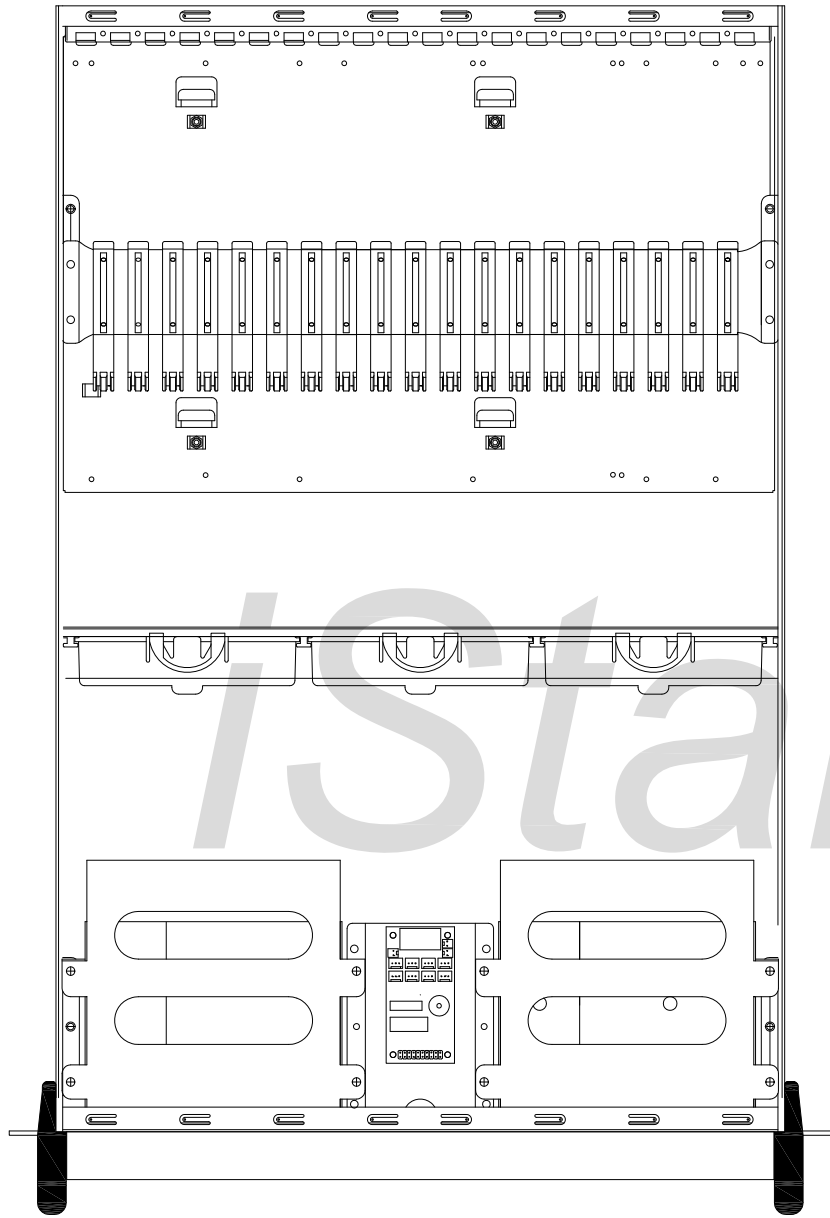
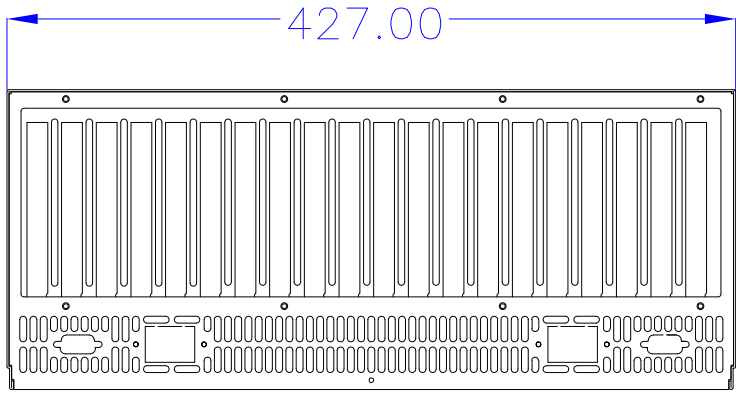
A B C D E F G

Model NO.	D-414L	iStarUSA			
EXT	5.25" * 4 + 3.5" * 1	DATE	2008/09/10		
INT	3.5" * 2	PROJ	⊕ ⊖		
M/B	12" * 13"	REV NO.	X	SCALE	1:1
SLOT	*20 (SQ-type)	DRAWN	ANDY	UNIT	mm

A | B | C | D | E | F | G

1
2
3
4
5
6
7
8
9
10

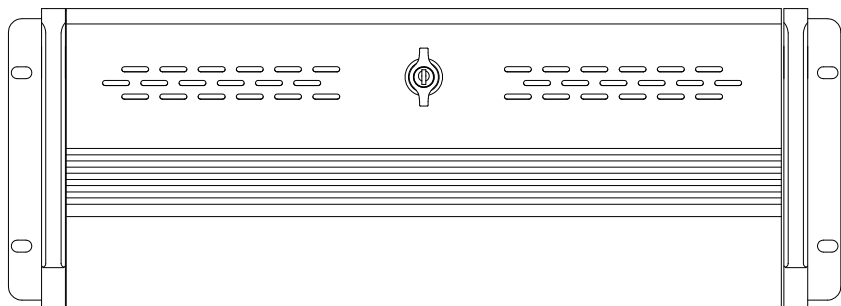
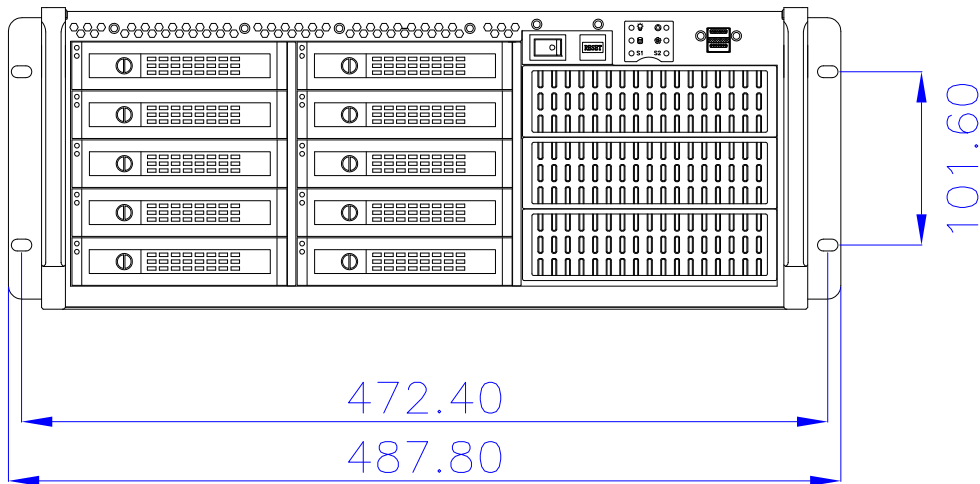
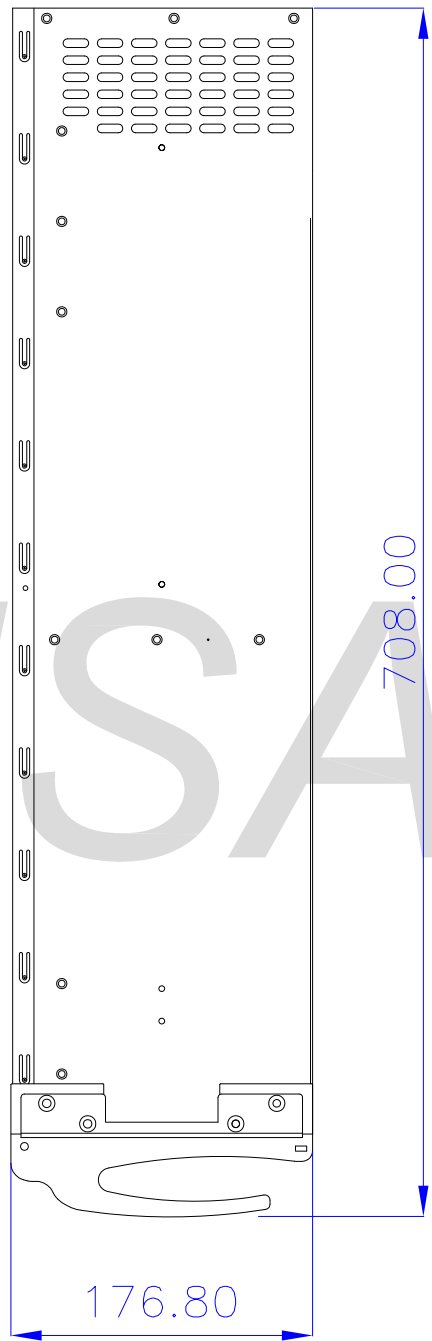
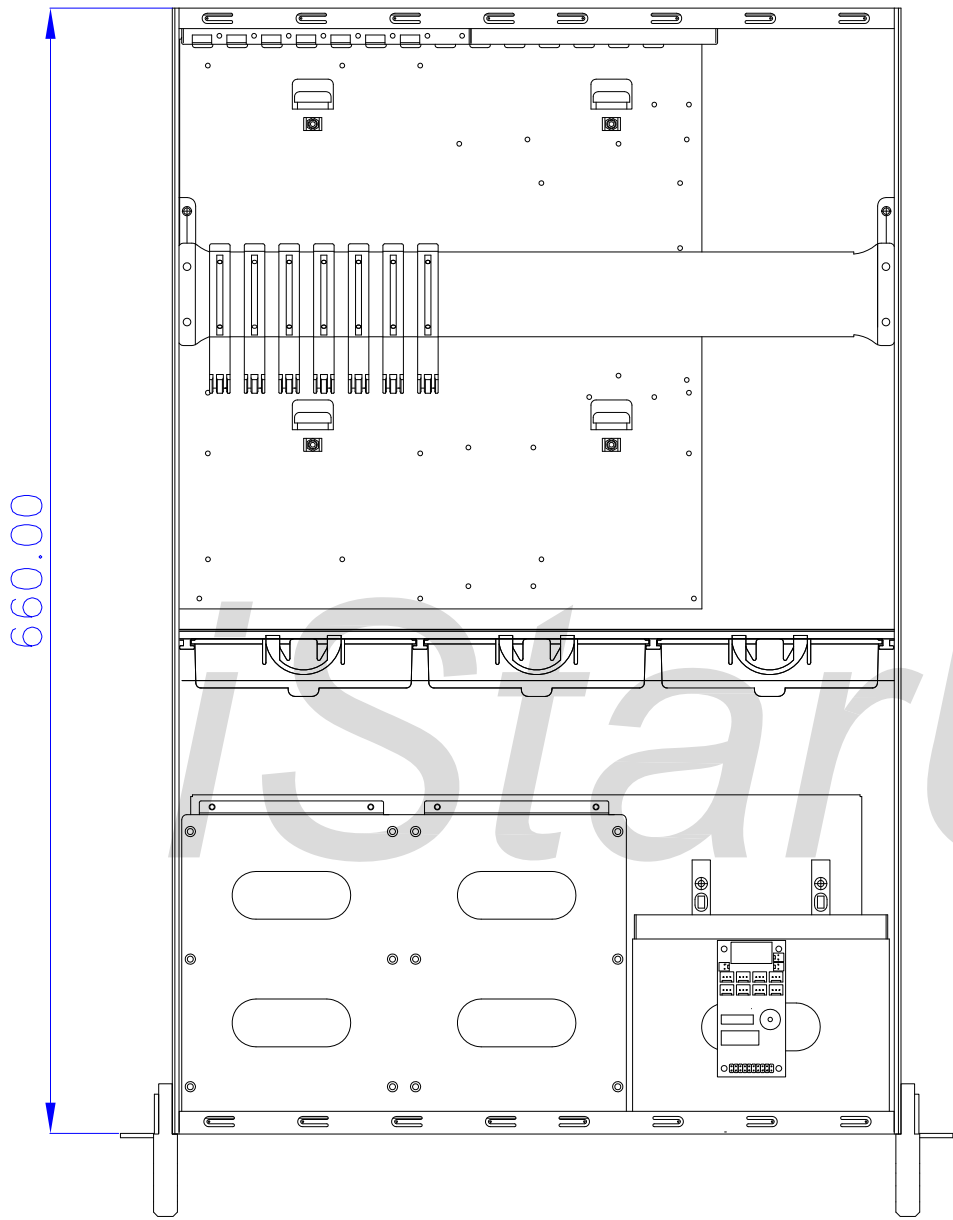
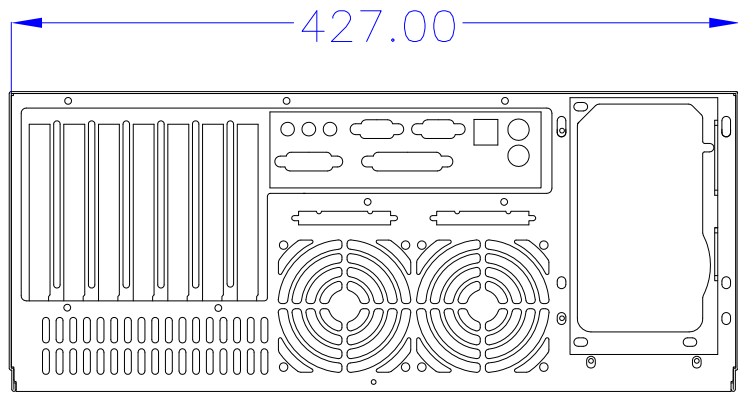
1
2
3
4
5
6
7
8
9
10



A | B | C | D | E | F | G

Model NO.	D-420L	iStarUSA			
EXT	5.25" *4 + 3.5" *1	DATE	2008/09/10		
INT	3.5" *2	PROJ			
M/B	IPC Backplane	REV NO.	X	SCALE	1:1
SLOT	*20 (SQ-type)	DRAWN	ANDY	UNIT	mm

A | B | C | D | E | F | G



A | B | C | D | E | F | G

Model NO.	D2-400L-M10SA	iStarUSA			
EXT	5.25" *3 + Hot-Swap *10	DATE	2008/09/10		
INT		PROJ	⊕ ⊖		
M/B	12" * 13"	REV NO.	X	SCALE	1:1
SLOT	*7 (L-type)	DRAWN	ANDY	UNIT	mm

A B C D E F G

1

2

3

4

5

6

7

8

9

10

1

2

3

4

5

6

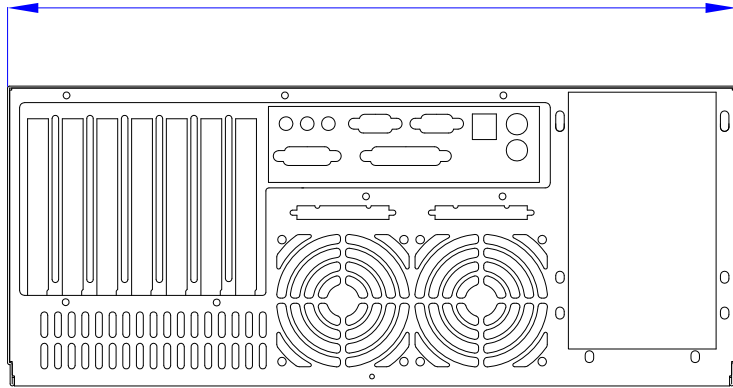
7

8

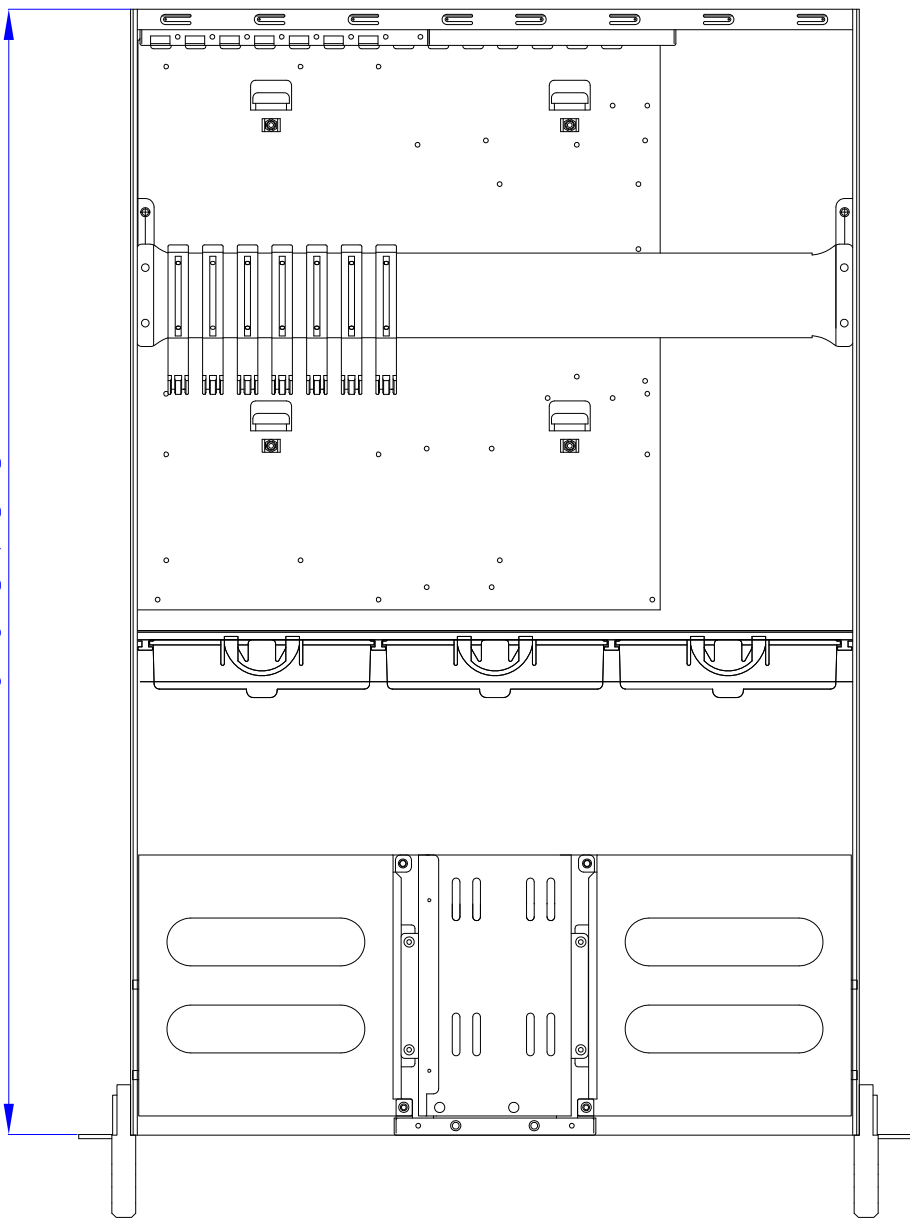
9

10

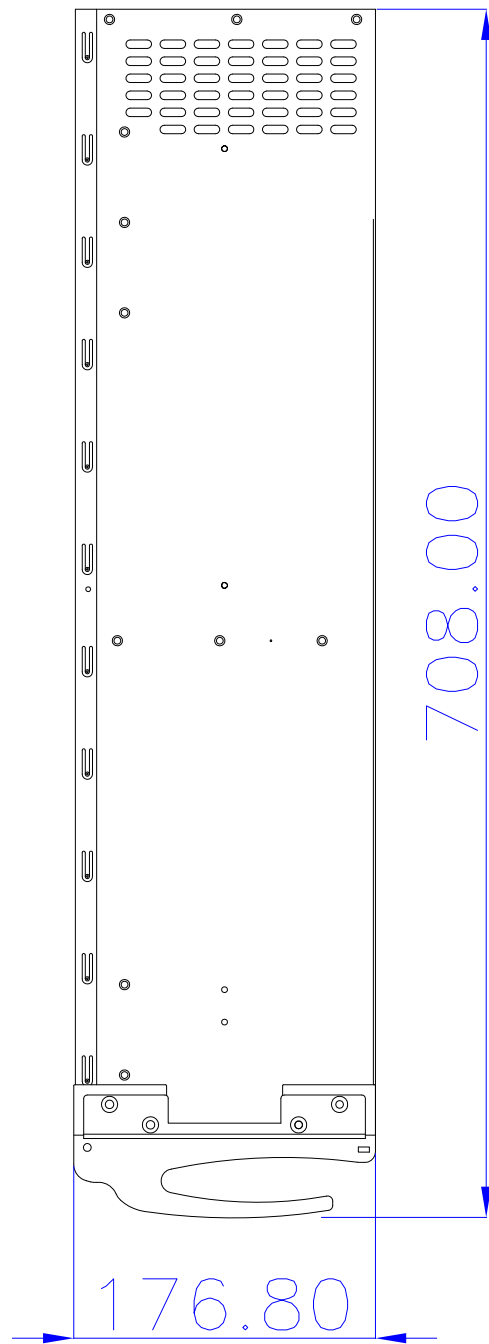
427.00



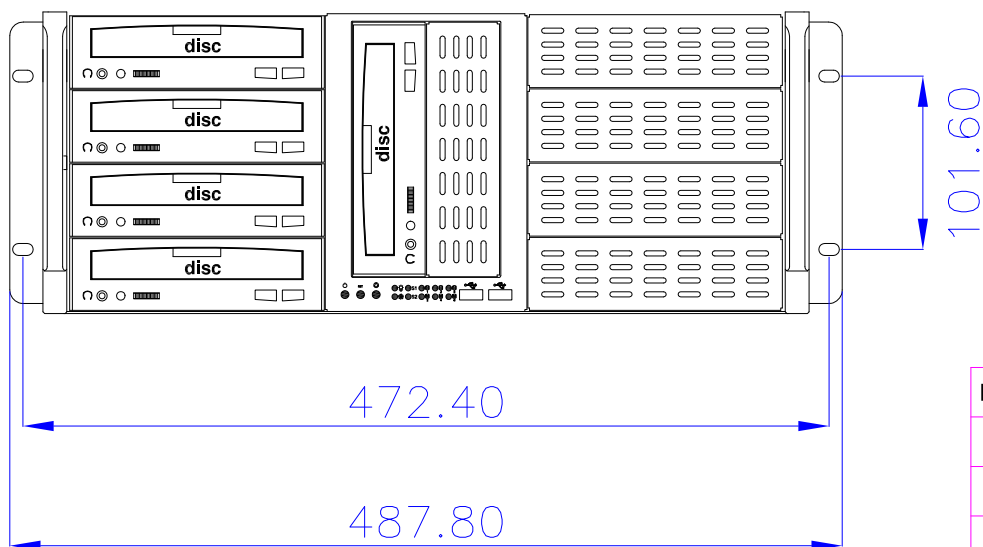
660.00



708.00



176.80



472.40

487.80

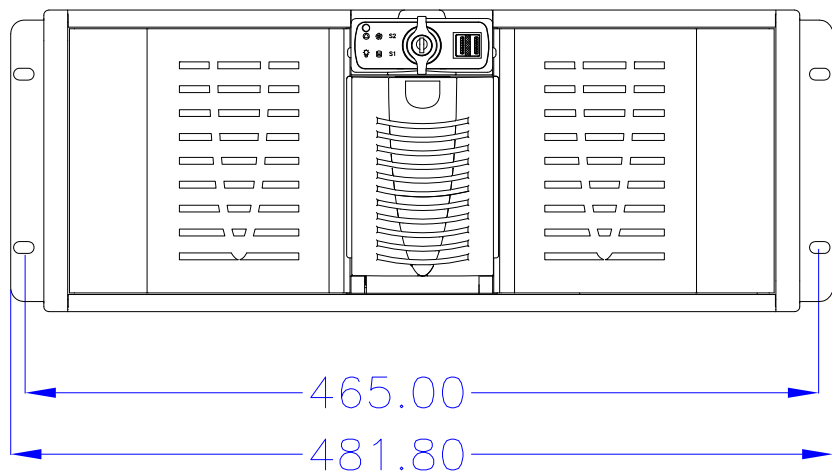
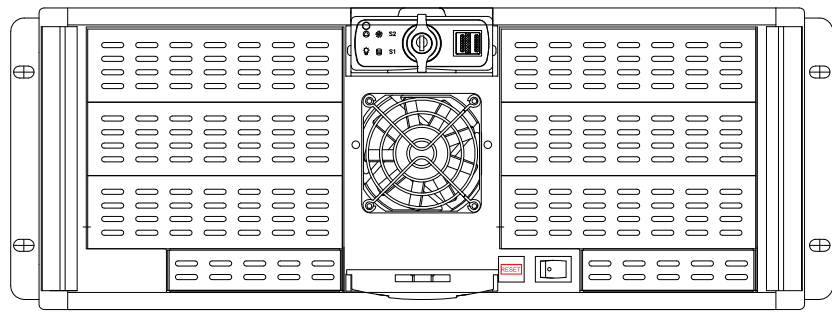
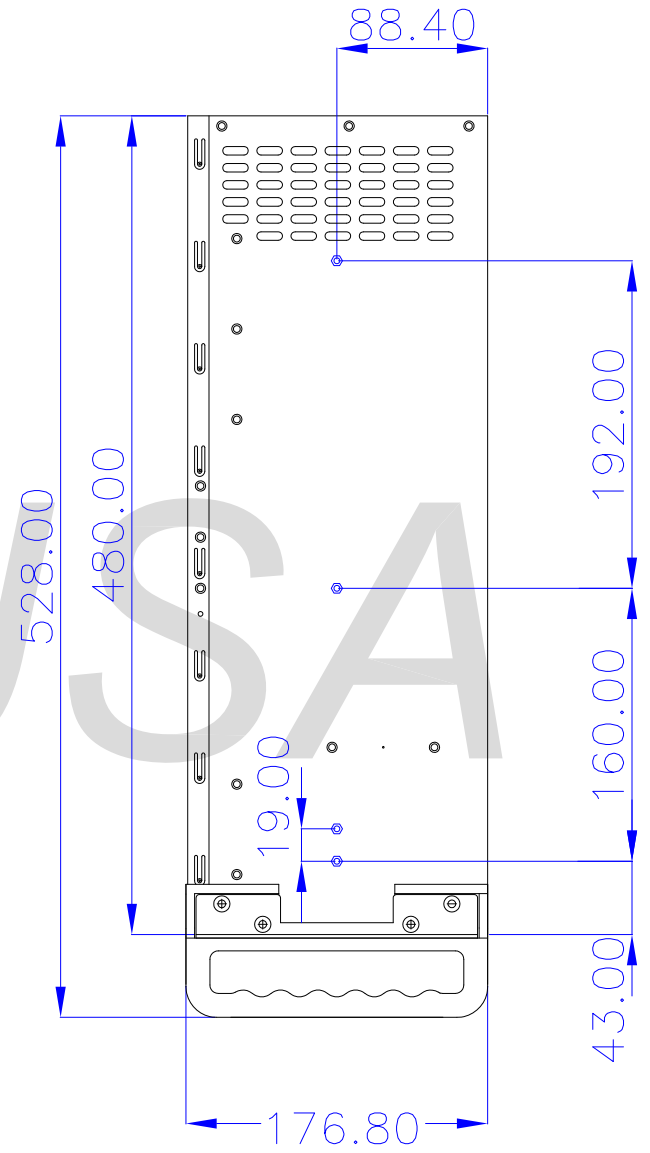
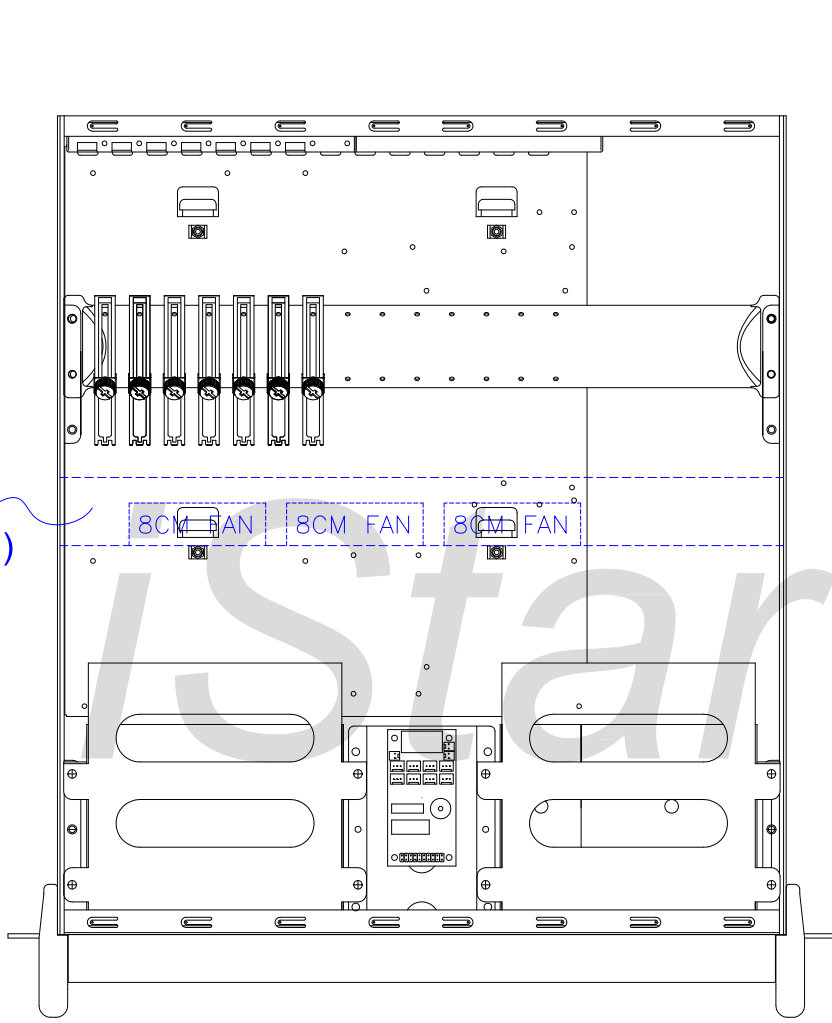
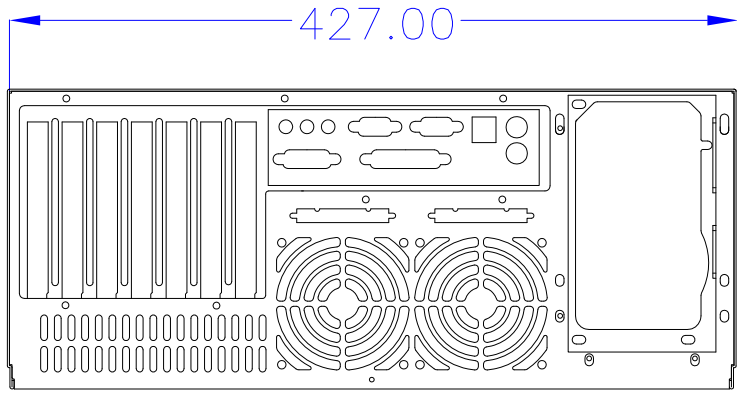
Model NO.	D3-400L	iStarUSA			
EXT	5.25" * 10	DATE	2008/09/10		
INT		PROJ			
M/B	12" * 9.6"	REV NO.	X	SCALE	1:1
SLOT	*7 (L-type)	DRAWN	ANDY	UNIT	mm

A B C D E F G

A B C D E F G

1
2
3
4
5
6
7
8
9
10

1
2
3
4
5
6
7
8
9
10



A B C D E F G

Model NO.	D4-400-6	iStarUSA			
EXT	5.25" *6 + 3.5" *2	DATE	2008/09/10		
INT	3.5" *2	PROJ			
M/B	12" * 13"	REV NO.	X	SCALE	1:1
SLOT	*7 (L-type)	DRAWN	ANDY	UNIT	mm

Product Overview

2U Chassis

Model Number	5.25" Drive	3.5" Drive	3.5" Drive (Internal)	Cooling Fan [Optional]
D-200	2	2	0	1x80mm [1x60mm]
D-200S	1	1	3	2x40mm
D-200-FS	1	1	2	2x80mm
D-200-PFS	1	1	2	2x80mm
D-200A-T	2 + 1xSlimCD	1	0	1x80mm [3x60mm]
D-200-T	2 + 1xSlimCD	1	0	1x80mm [3x60mm]
D-200L	2	2	0	3x80mm
D-200L-FS	1	1	2	4x80mm
D-200L-T	2 + 1xSlimCD	1	0	3x80mm
D-206	1	1	1	2x60mm [1x60mm]
D2-200	2	2	0	1x80mm
D2-200L-M4SA	1xSlimCD	4 Hotswap + 1	0	3x80mm
D3-200L	4	2	0	3x80mm
D4-200-FS	1	1	2	2x80mm

3U Chassis

Model Number	5.25" Drive	3.5" Drive	3.5" Drive (Internal)	Cooling Fan [Optional]
D-300	4	2	1	1x60mm [3x60mm]
D-300S5	1	2	3	2x60mm, 1x80mm
D-300A	4	2	1	1x60mm [3x80mm]
D-300AS	2	1	3	1x60mm, 1x80mm [1x60mm]
D-300-FS	2	1	5	1x60mm, 1x80mm [3x80mm]
D-300-PFS	2	1	5	1x60mm, 1x80mm [3x80mm]
D-300L	4	2	1	1x60mm, 3x80mm, [1x60mm]
D-300L-FR	2	1	8	1x60mm, 4x80mm
D-300L-FS	2	1	5	4x80mm
D2-300	4	2	0	1x60mm [1x60mm]
D2-300L-M6SA	2	6 Hotswap	0	5x80mm
D3-300L	6	3	0	3x80mm 2x60mm
D4-300-FS	2	1	5	2x60mm [1x60mm]

4U Chassis

Model Number	5.25" Drive	3.5" Drive	3.5" Drive (Internal)	Cooling Fan [Optional]
D-400	4	1	2	1x120mm, 1x80mm [1x80mm]
D-400-2P	1	0	8	1x120mm, 3x80mm [1x80mm]
D-400-5	5	0	1	1x120mm 1x80mm [1x80mm]
D-400-6	6	2	2	1x80mm [1x80mm]
D-400-7	7	1	1	1x80mm [1x80mm]
D-400-7P	7	1	1	1x80mm [1x80mm]
D-400-8	8	0	0	1x80mm [1x80mm]
D-400A	4	1	2	1x120mm, 1x80mm, [1x80mm]
D-400A-6	6	2	2	1x80mm [1x80mm]
D-400-JB	8	0	0	1x120mm 2x80mm
D-400-PTS8	3	1	1	1x80mm [1x80mm]
D-400L-7	7	1	1	3x120mm, 1x80mm [1x80mm]
D-414	4	1	2	1x120mm
D-414-2P	1	0	8	1x120mm 1x80mm [1x80mm]
D-414L-7	7	1	1	3x120mm
D-420L	4	1	2	3x120mm
D2-400L-M10SA	3	10 hotswap	0	3x120mm 1x80mm [1x80mm]
D3-400L	10	0	0	3x120mm 2x80mm
D4-400-6	6	2	0	1x80mm 1x60mm [1x80mm]

** The Hotswap device for SATA HDD.

Mainboard Size (inch)	Dimension (W x H x D) inch	Expansion Slots
12 x 10	19.00 x 3.50 x 20.80	3
12 x 10	19.00 x 3.50 x 17.00	3
12 x 10	19.00 x 3.50 x 20.80	3
12 x 10	19.00 x 3.50 x 20.80	3
12 x 10	19.00 x 3.50 x 20.80	3
12 x 10	19.00 x 3.50 x 20.80	3
12 x 13	19.00 x 3.50 x 27.10	3
12 x 13	19.00 x 3.50 x 27.10	3
12 x 13	19.00 x 3.50 x 27.10	3
12 x 10	19.00 x 3.50 x 20.80	6
12 x 10	19.00 x 3.50 x 20.80	3
12 x 13	19.00 x 3.50 x 27.10	3
12 x 13	19.00 x 3.50 x 27.10	3
12 x 10	19.00 x 3.50 x 20.80	3

Mainboard Size (inch)	Dimension (W x H x D) inch	Expansion Slots
12 x 10	19.00 x 5.25 x 20.80	7
12 x 10	19.00 x 5.25 x 15.00	7
12 x 10	19.00 x 5.25 x 20.80	7
12 x 10	19.00 x 5.25 x 17.50	7
12 x 10	19.00 x 5.25 x 20.80	7
12 x 10	19.00 x 5.25 x 20.80	7
12 x 13	19.00 x 5.25 x 27.10	7
12 x 13	19.00 x 5.25 x 27.10	7
12 x 13	19.00 x 5.25 x 27.10	7
12 x 10	19.00 x 5.25 x 20.80	7
12 x 13	19.00 x 5.25 x 27.10	7
12 x 13	19.00 x 5.25 x 27.10	7
12 x 10	19.00 x 5.25 x 20.80	7

Mainboard Size (inch)	Dimension (W x H x D) inch	Expansion Slots
12 x 10	19.00 x 7.00 x 20.80	7
12 x 10	19.00 x 7.00 x 20.80	7
12 x 10	19.00 x 7.00 x 20.80	7
12 x 10	19.00 x 7.00 x 20.80	7
12 x 10	19.00 x 7.00 x 20.80	7
12 x 10	19.00 x 7.00 x 20.80	7
12 x 10	19.00 x 7.00 x 20.80	7
12 x 10	19.00 x 7.00 x 20.80	7
12 x 10	19.00 x 7.00 x 20.80	7
N/A	19.00 x 7.00 x 20.80	N/A
12 x 10	19.00 x 7.00 x 20.80	7
12 x 13	19.00 x 7.00 x 27.10	7
12 x 10	19.00 x 7.00 x 20.80	14
12 x 10	19.00 x 7.00 x 20.80	14
12 x 13	19.00 x 7.00 x 27.10	14
12 x 13	19.00 x 7.00 x 27.10	20
12 x 13	19.00 x 7.00 x 27.10	7
12 x 13	19.00 x 7.00 x 27.10	7
12 x 10	19.00 x 7.00 x 20.80	7

2U Chassis



3U Chassis



4U Chassis

