

BPM-CAE525-HU2

5.25" to 2x 2.5" U.2 NVMe SSD & 3x 2.5" 12Gb/s HDD SSD Hot-swap Rack



Features

- 2xU.2 (SFF-8643)/ 3x12G (SATA/SAS 7pin) interface
- Fits 2x15mm U.2 NVMe SSD; 3x9mm SAS/SATA SSD/HDD in a 5.25" space
- Support NVMe 32G & SAS 12G & SATA 6G speed
- Tray design with All Metal Parts (Industrial grade)
- Mechanical lock keeps HDD working securely
- LED indicator let users check working status any time
- Individual power switch to manage the HDD

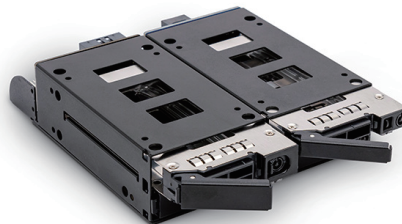
Specifications

Model Number	Material of Handle
BPM-CAE525-HU2	Metal
RoHS Compliance	Color of Main Chassis
YES	Black
Standard Drive Bays	Dimensions (WxHxD)
Hotswap 2.5": 5 5.25" Drives: 1 Hotswap HDD Type:	Width 5.74" (145.8 mm) Height 1.63" (41.4 mm) Depth 6.45" (163.8 mm)
2x 2.5" 15mm U.2 NVMe SSD ; 3x 2.5" 9mm SAS/SATA SSD/HDD	
Indicators	
Power and HDD activity	
Security	
Key Lock	
Material of Main Chassis	
Metal	

Front View



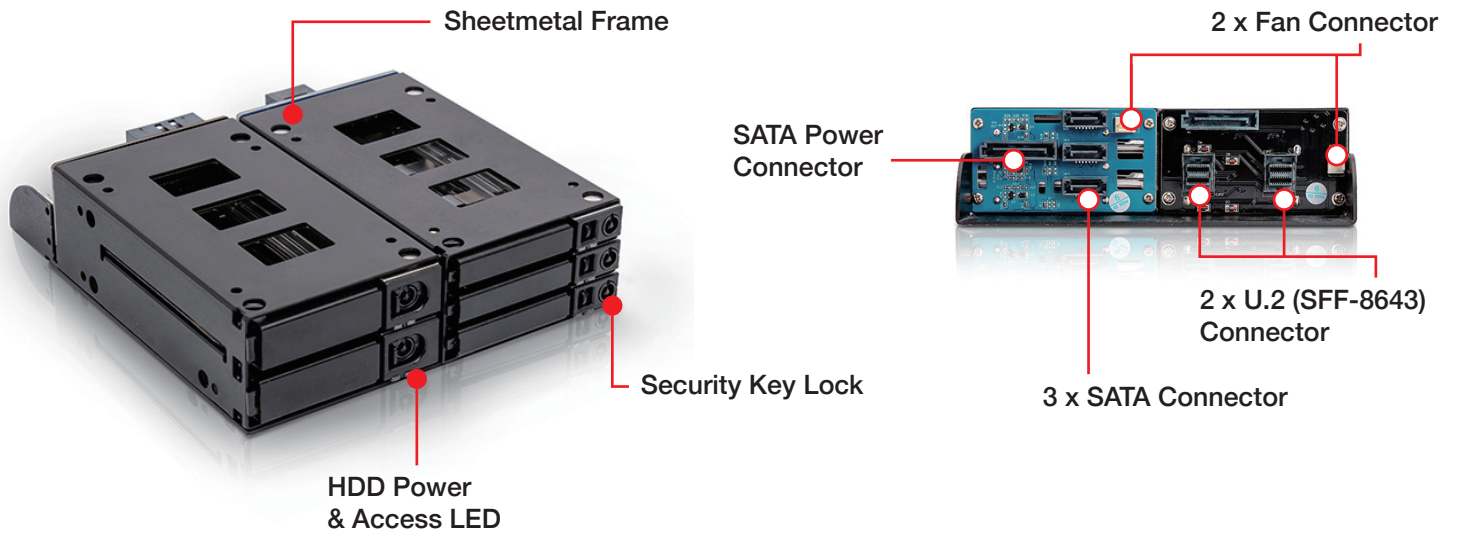
Feature View



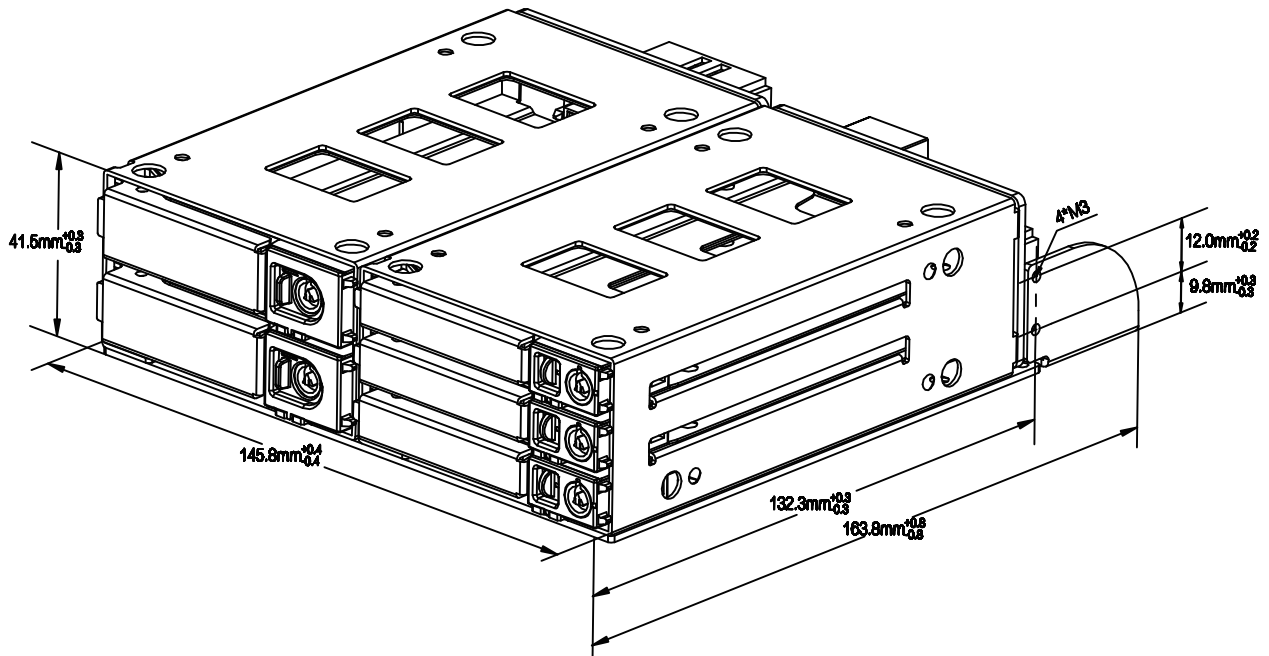
Rear View



We at iStarUSA Group offer OEM/ODM services for Industrial Power, Custom Power, Chassis, Cabinets, and Data Storage. Through our skilled metal bending, milling, and silk screening we can provide you with unique customizations that will make your product stand out from the rest. With iStarUSA Group's OEM/ODM Solutions you can be sure to receive one-of-a-kind products for your one-of-a-kind business.



Dimensions



Ordering Information

Model	Description
BPM-CAE525-HU2	5.25" to 2x 2.5" U.2 NVMe SSD & 3x 2.5" 12Gb/s HDD SSD Hot-swap Rack