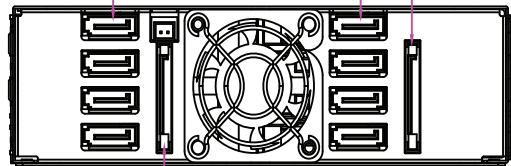
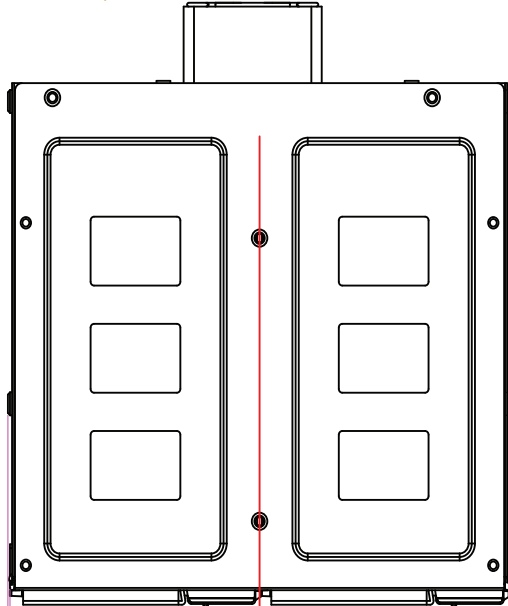


4\*7PIN SATA connector      4\*7PIN SATA      15PIN power connector

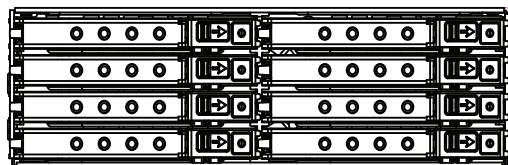


15PIN power connector

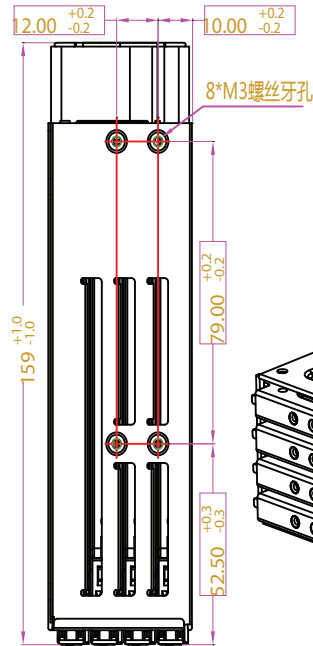


144.60 <sup>+0.4</sup>/<sub>-0.4</sub>

145.80 <sup>+0.2</sup>/<sub>-0.4</sub>



41.60 <sup>+0.4</sup>/<sub>-0.3</sub>



12.00 <sup>+0.2</sup>/<sub>-0.2</sub>

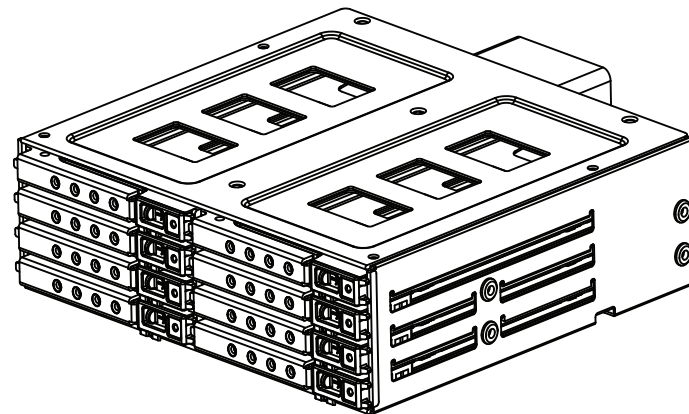
10.00 <sup>+0.2</sup>/<sub>-0.2</sub>

8\*M3螺丝牙孔

159 <sup>+1.0</sup>/<sub>-1.0</sub>

79.00 <sup>+0.2</sup>/<sub>-0.2</sub>

52.50 <sup>+0.3</sup>/<sub>-0.3</sub>



GENERAL TOLERANCES

.X:	±0.50
.XX:	±0.20
.XXX:	±0.10
X:	±2.0°
X.X:	±1.0°
X.XX:	±0.5°

APPROVED BY:

CHECKED BY:

DRAWING BY:

MATERIAL:

SURFACE FINISH:

SIZE: A4

PROJECTION:



TITLE: **BPM-CP825-SS drawing**

PART NO: **BPM-CP825-SS**

DWG NO:

LTR      REVISION RECORD

ECR      ECN      DRG      CHK      DATE

SHEET 1 OF 1

UNIT: MM      SCALE 1:2      REV: A0