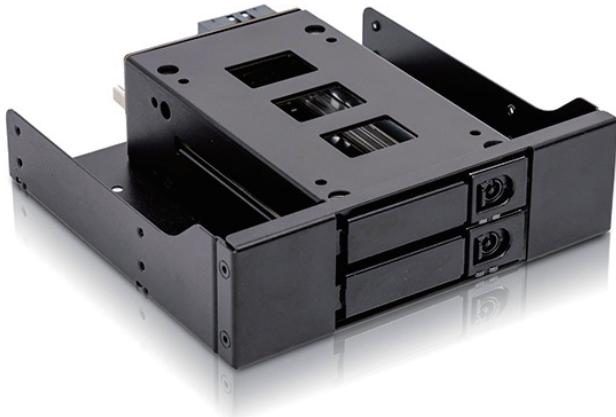


BPM-KCA225-U2

5.25" to 2x 2.5" U.2 NVMe SSD
Hot-swap Rack



Features

- 2xU.2 (SFF-8643) interface
- Fits 2x15mm U.2 NVMe SSD in a 5.25" space
- Support NVMe 32G & SAS 12G & SATA 6G speed
- Tray design with All Metal Parts (Industrial grade)
- Mechanical lock keeps HDD working securely
- LED indicator let users check working status any time
- Individual power switch to manage the HDD

Specifications

| | |
|---------------------------------|------------------------------|
| Model Number | Material of Handle |
| BPM-KCA225-U2 | Metal |
| RoHS Compliance | Color of Main Chassis |
| YES | Black |
| Standard Drive Bays | Dimensions (WxHxD) |
| Hotswap 2.5": 2 | Width 5.74" (145.8 mm) |
| 5.25" Drives: 1 | Height 1.64" (41.7 mm) |
| Hotswap HDD Type: | Depth 5.51" (140.0 mm) |
| 2x15mm U.2 NVMe SSD | |
| Indicators | |
| Power and HDD activity | |
| Security | |
| Key Lock | |
| Material of Main Chassis | |
| Metal | |

Front View



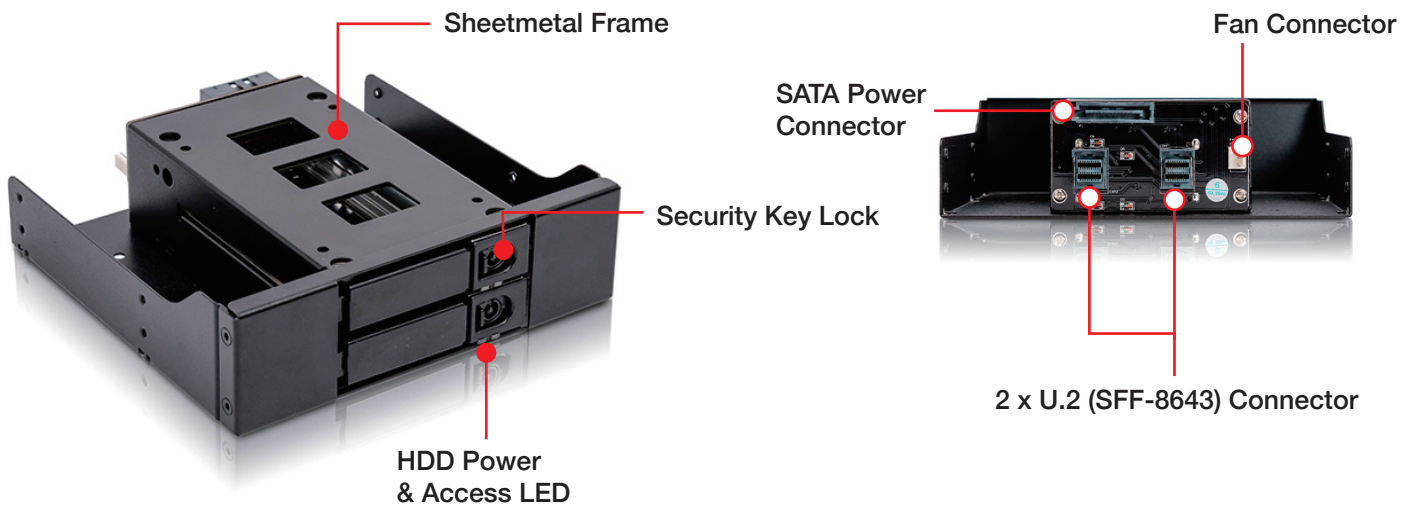
Feature View



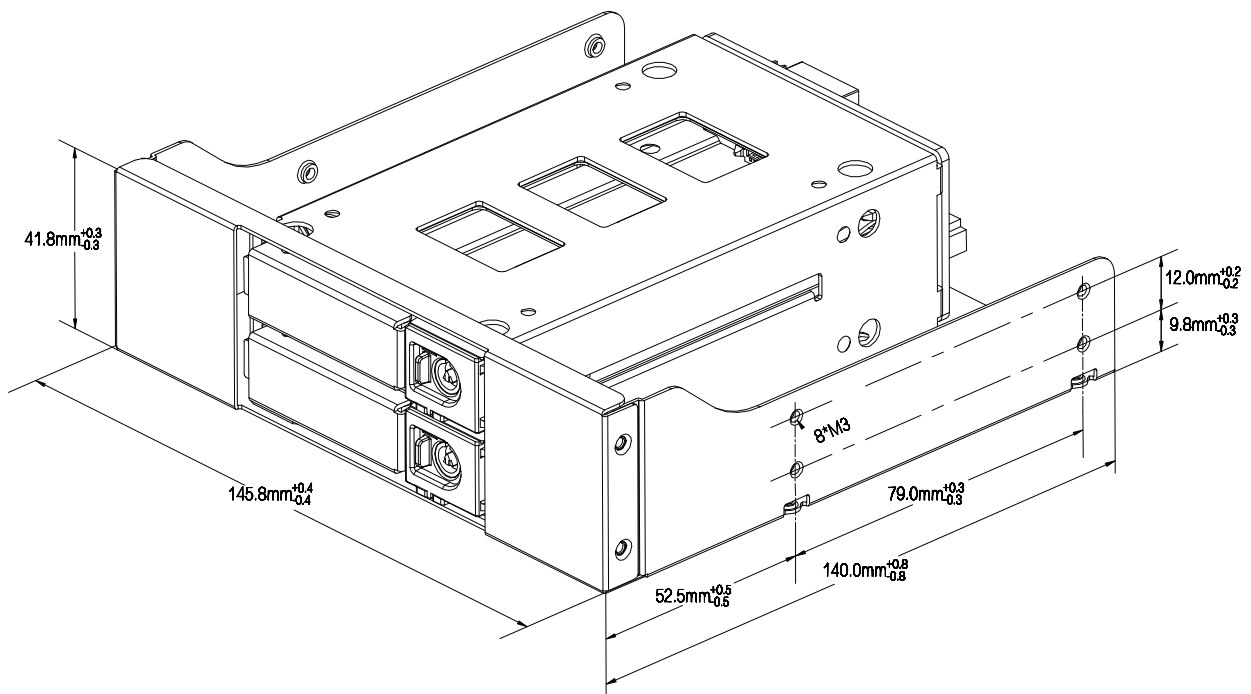
Rear View



We at iStarUSA Group offer OEM/ODM services for Industrial Power, Custom Power, Chassis, Cabinets, and Data Storage. Through our skilled metal bending, milling, and silk screening we can provide you with unique customizations that will make your product stand out from the rest. With iStarUSA Group's OEM/ODM Solutions you can be sure to receive one-of-a-kind products for your one-of-a-kind business.



Dimensions



Ordering Information

| Model | Description |
|---------------|---|
| BPM-KCA225-U2 | 5.25" to 2x 2.5" U.2 NVMe SSD Hot-swap Rack |