

# BPN-DE110HD-WB

Trayless 5.25" to 3.5" 12Gb/s HDD  
Hot-swap Rack with Wood Look Bezel



## Features

- Aluminum Frame, light weight and durability design
- Supports SAS I/II/III and SATA I/II/III Hard Drives
- Integrative shaping aluminum design for quickest heat sink
- Wood look front bezel with metal key lock mechanism for security
- Multi-functional LED Indication
- 14TB Hard Drives Compatible
- Tray-less and screw-less HDD mounting
- High Performance Transfer Rate up to 12Gb/s

## Specifications

<b>Model Number</b>	<b>Material of Handle</b>
BPN-DE110HD-WB	Aluminum
<b>RoHS Compliance</b>	<b>Material of Main Chassis</b>
YES	Aluminum
<b>Standard Drive Bays</b>	<b>Color of Main Chassis</b>
Hotswap 3.5": 1 5.25" Drives: 1	Black
<b>Hotswap HDD Type:</b>	<b>Optional Fan:</b>
3.5" SAS I/II/III & SATA I/II/III	40mm
<b>Indicators</b>	<b>Dimensions (WxHxD)</b>
Blue for Power on/ Purple for HDD Access	Width 5.75" ( 146.0 mm ) Height 1.65" ( 41.9 mm ) Depth 7.10" ( 180.3 mm )
<b>Security</b>	
Key Lock	
<b>Material of Front Bezel</b>	
Plastic	

## Front View



## Feature View

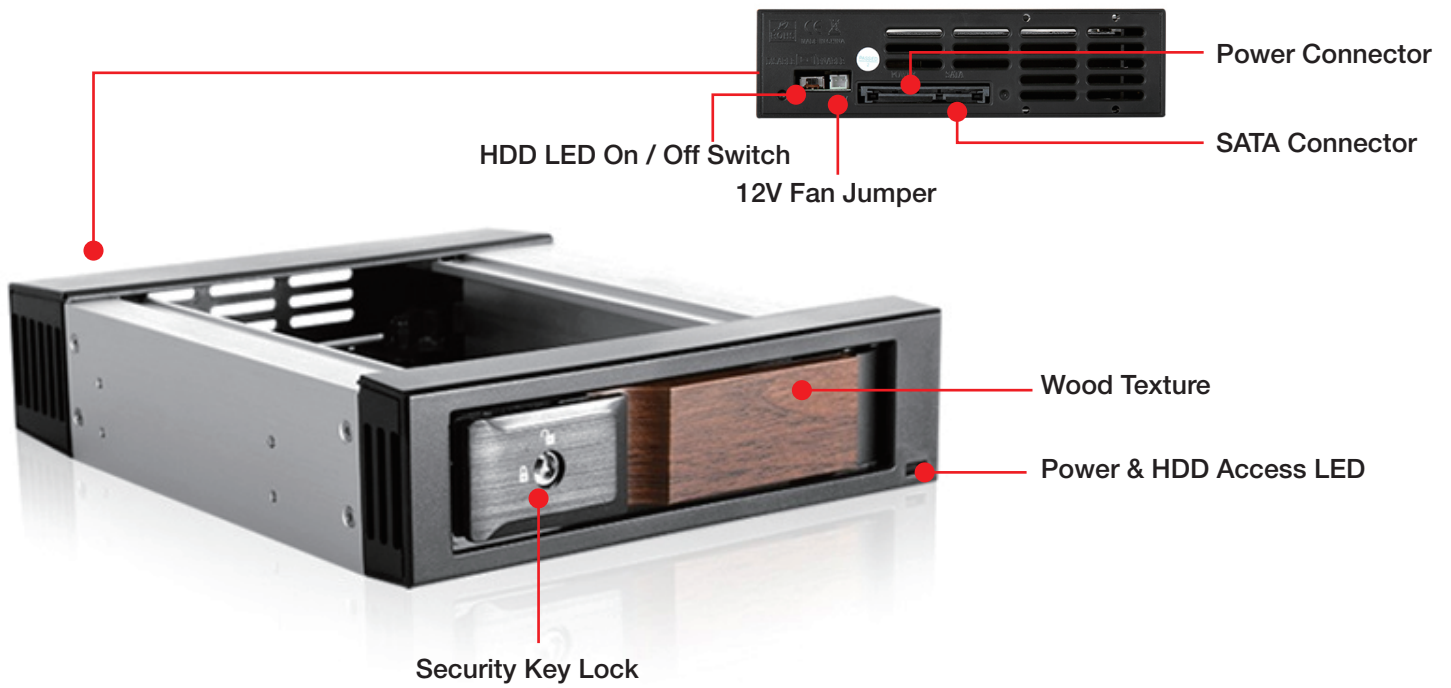


\* HDD not included

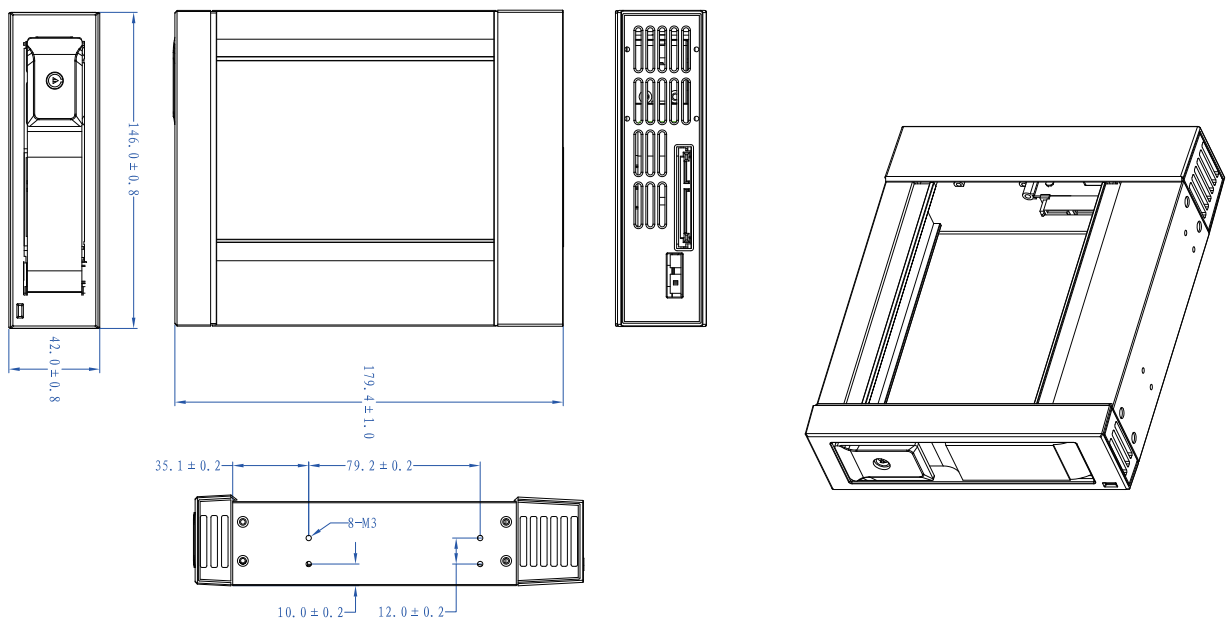
## Rear View



We at iStarUSA Group offer OEM/ODM services for Industrial Power, Custom Power, Chassis, Cabinets, and Data Storage. Through our skilled metal bending, milling, and silk screening we can provide you with unique customizations that will make your product stand out from the rest. With iStarUSA Group's OEM/ODM Solutions you can be sure to receive one-of-a-kind products for your one-of-a-kind business.



**Dimensions**



**Ordering Information**

Model	Description
BPN-DE110HD-WB	Trayless 5.25" to 3.5" 12Gb/s HDD Hot-swap Rack with Wood Look Bezel