

BPN-DE110HD

Trayless 5.25" to 3.5" 12Gb/s HDD Hot-swap Rack



Features

- Aluminum Frame, light weight and durability design
- Supports SAS I/II/III and SATA I/II/III Hard Drives
- High Performance Transfer Rate up to 12Gb/s
- Integrative shaping aluminum design for quickest heat sink
- Aluminum front bezel with metal key lock mechanism for security
- Multi-functional LED Indication
- 14TB Hard Drives Compatible
- Tray-less and screw-less HDD mounting

Specifications

Model Number	Material of Handle	
BPN-DE110HD	Aluminum	
RoHS Compliance	Material of Main Chassis	
YES	Aluminum	
Standard Drive Bays	Color of Front Bezel	
Hotswap 3.5": 1 5.25" Drives: 1	Black/ Blue/ Red/ Silver	
Hotswap HDD Type:	Color of Main Chassis	
3.5" SAS I/II/III & SATA I/II/III	Black	
Indicators	Optional Fan:	
Blue for Power on/ Purple for HDD Access	40mm	
Security	Dimensions (WxHxD)	
Key Lock	Width	5.75" (146.0 mm)
	Height	1.65" (41.9 mm)
	Depth	7.10" (180.3 mm)
Material of Front Bezel		
Aluminum		

Front View



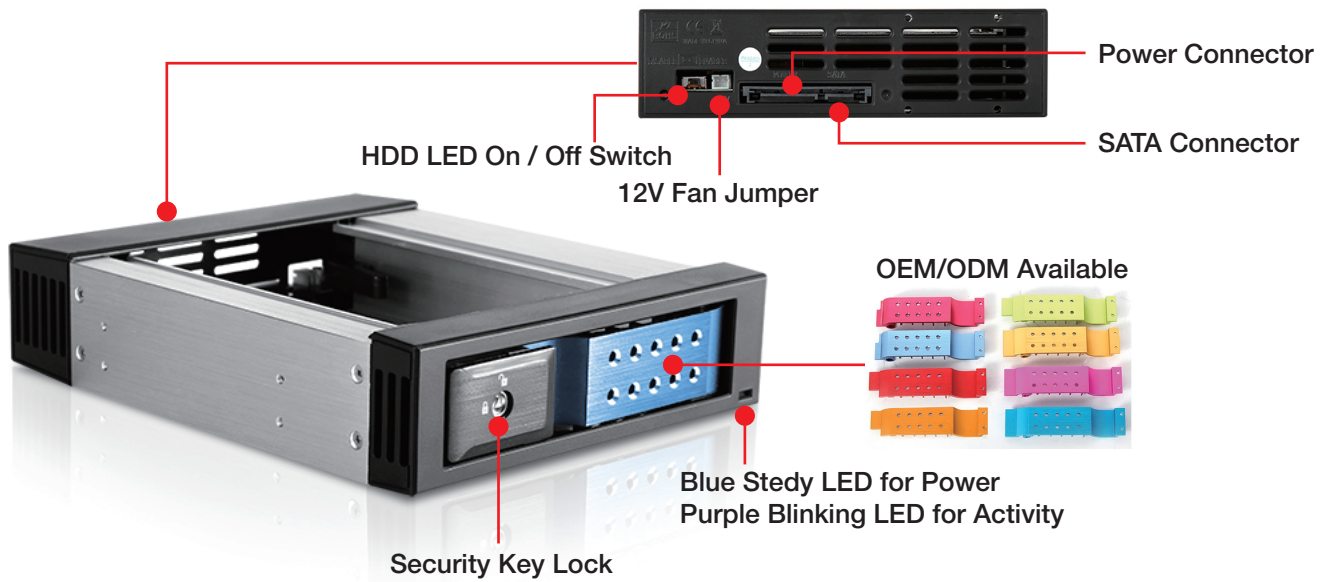
Feature View



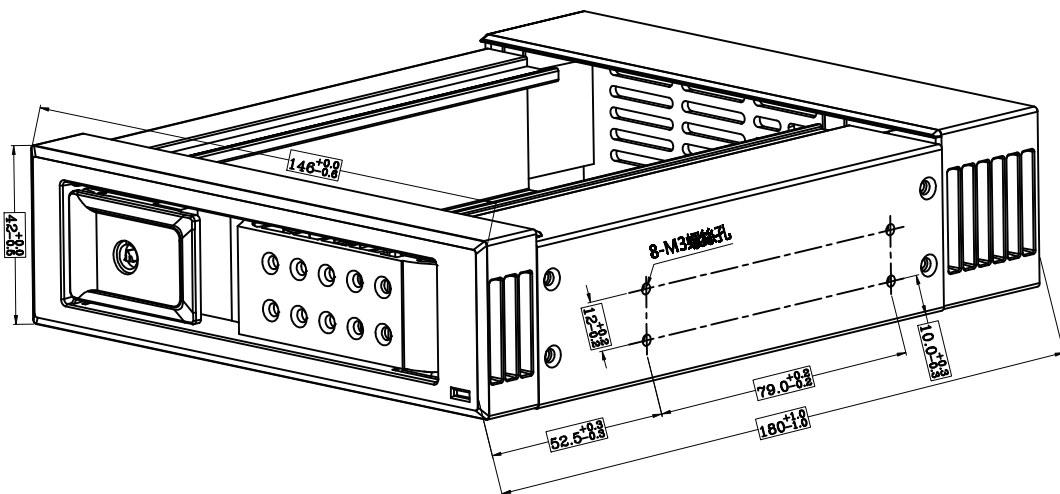
Rear View



We at iStarUSA Group offer OEM/ODM services for Industrial Power, Custom Power, Chassis, Cabinets, and Data Storage. Through our skilled metal bending, milling, and silk screening we can provide you with unique customizations that will make your product stand out from the rest. With iStarUSA Group's OEM/ODM Solutions you can be sure to receive one-of-a-kind products for your one-of-a-kind business.



Dimensions



Ordering Information

Model	Description
BPN-DE110HD-BLACK	BPN-DE110HD with Black Handle
BPN-DE110HD-BLUE	BPN-DE110HD with BLUE Handle
BPN-DE110HD-RED	BPN-DE110HD with RED Handle
BPN-DE110HD-SILVER	BPN-DE110HD with SILVER Handle