

User Manual

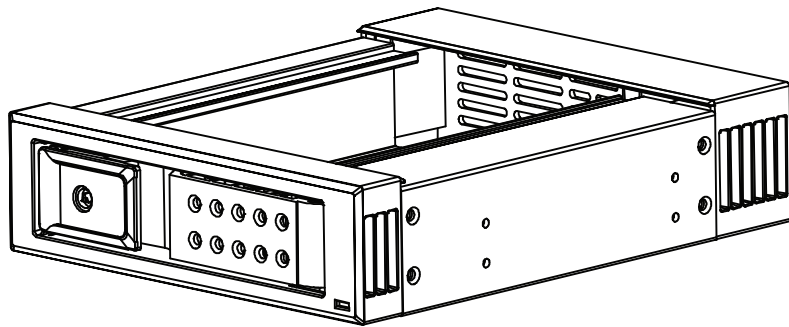
Model Name *BPN-DE110HD*

Main Features:

- 1 x 5.25" Bay for 1 x 3.5" HDD
- Material: Aluminum Body & Bezel
- Color: Black
- Trayless Design
- Triangle metal key-lock
- Hot Swappable
- HDD LED Functioning ON / OFF Switch
- Fan: 4cm Fan x 1 (Optional)
- Dimensions: 7.1"(D) * 5.75"(W) * 1.65"(H)
- Weight: 0.88 lb

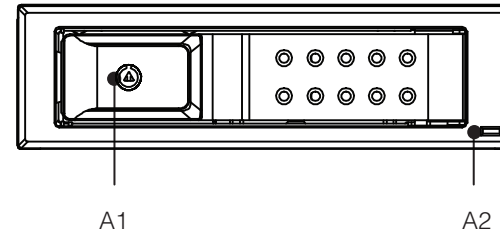
Special Features: High Speed Transfer Rate

- Interface: Support SATA-I, II, III & SAS I, II, III
- Transfer Rate: Up to 12Gb/s
- Connector: 7pin SATA Connector & 15pin Power Connector

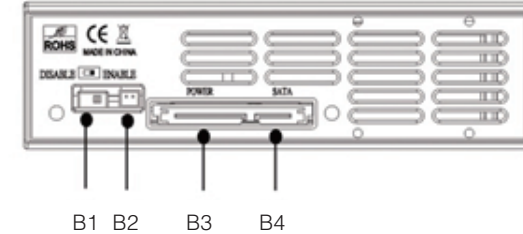


User Manual

Model Name *BPN-DE110HD*



Front View



Rear View

A1 = Triangle Metal Key Lock
A2 = HDD Power & Access LED

B1 = HDD LED Switch (Enable / Disable)
B2 = 12V FAN 2pin Power Output Jumper
B3 = 15pin Power Connector
B4 = 7pin SATA Connector

LED	A2		
State	HDD In	HDD Access	*B1 - Disable
Color	Blue	Purple	Blue
Blink	x	o	x

* When turning B1 switch to DISABLE position, the LED indication for HDD accessing will not work. In this case, the front LED is displayed in solid blue with the power ON function only, no blinking accessing signal.