

BPN-DE110P

Trayless 5.25" to 3.5" 12Gb/s HDD Hot-swap Rack with Independent HDD Power Switch



Features

- Aluminum Frame, light weight and durability design
- Supports SAS I/II/III and SATA I/II/III Hard Drives
- High Performance Transfer Rate up to 12Gb/s
- Integrative shaping aluminum design for quickest heat sink
- Aluminum front bezel with metal key lock mechanism for security
- Multi-functional LED Indication
- 14TB Hard Drives Compatible
- Tray-less and screw-less HDD mounting
- Independent HDD Power Switch

Specifications

Model Number	Material of Handle
BPN-DE110P	Aluminum
RoHS Compliance	Material of Main Chassis
YES	Aluminum
Standard Drive Bays	Color of Front Bezel
Hotswap 3.5": 1 5.25" Drives: 1	Black/ Blue/ Red/ Silver
Hotswap HDD Type:	Color of Main Chassis
3.5" SAS I/II/III & SATA I/II/III	Black
Indicators	Optional Fan:
Green for Power on/ Orange for HDD Access	40mm
Security	Dimensions (WxHxD)
Key Lock	Width 5.75" (146.0 mm) Height 1.65" (41.9 mm) Depth 7.10" (180.3 mm)
Material of Front Bezel	
Aluminum	

Front View



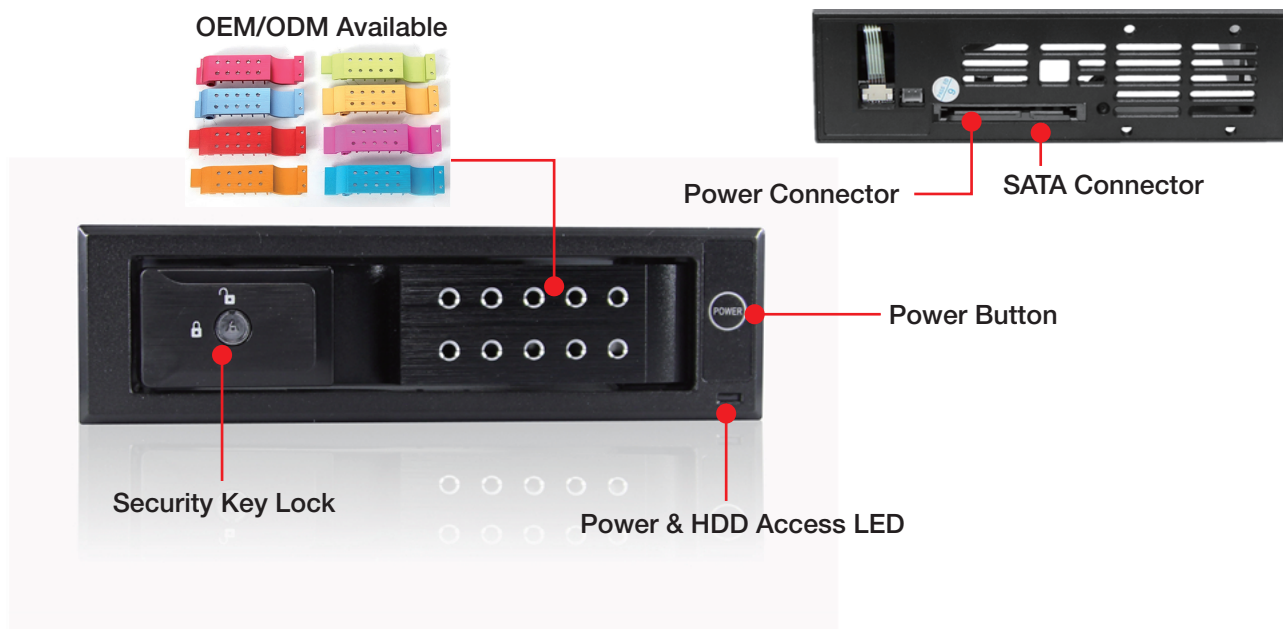
Feature View



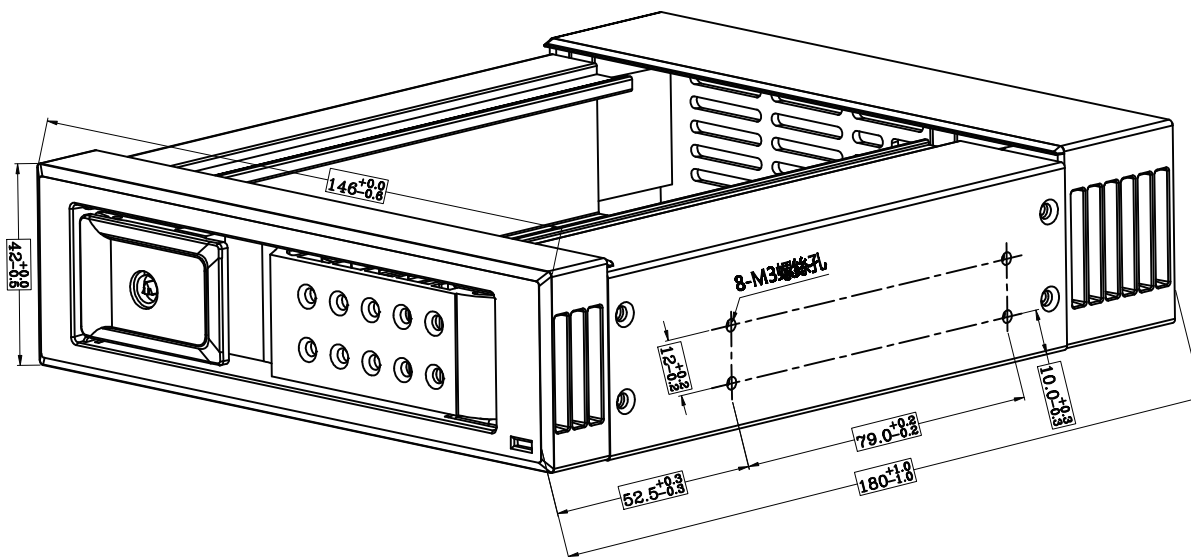
Rear View



We at iStarUSA Group offer OEM/ODM services for Industrial Power, Custom Power, Chassis, Cabinets, and Data Storage. Through our skilled metal bending, milling, and silk screening we can provide you with unique customizations that will make your product stand out from the rest. With iStarUSA Group's OEM/ODM Solutions you can be sure to receive one-of-a-kind products for your one-of-a-kind business.



Dimensions



Ordering Information

Model	Description
BPN-DE110P-BLACK	BPN-DE110P with Black Handle
BPN-DE110P-BLUE	BPN-DE110P with BLUE Handle
BPN-DE110PD-RED	BPN-DE110P with RED Handle
BPN-DE110P-SILVER	BPN-DE110P with SILVER Handle