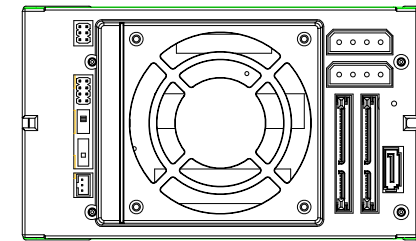
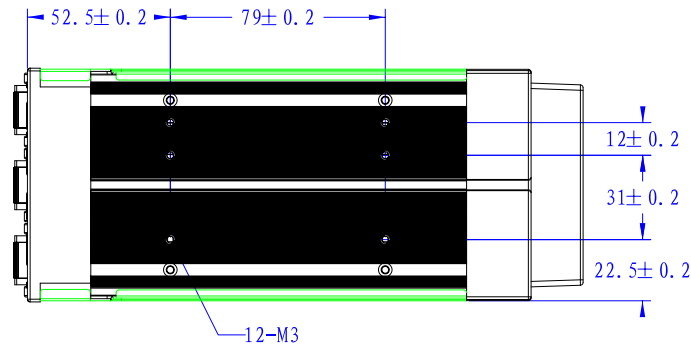
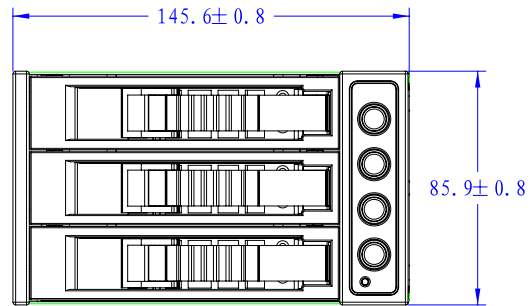
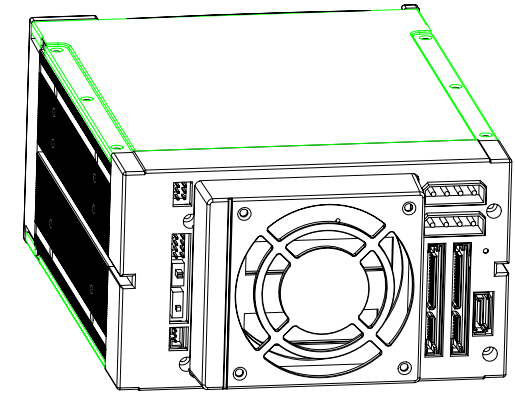
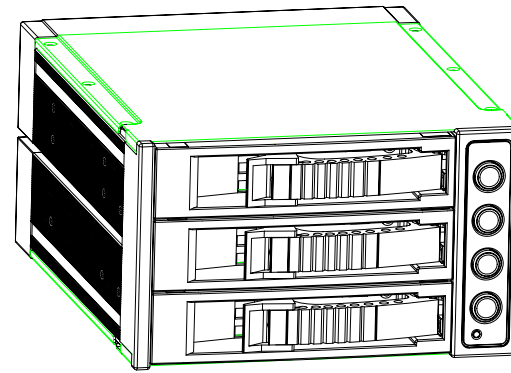
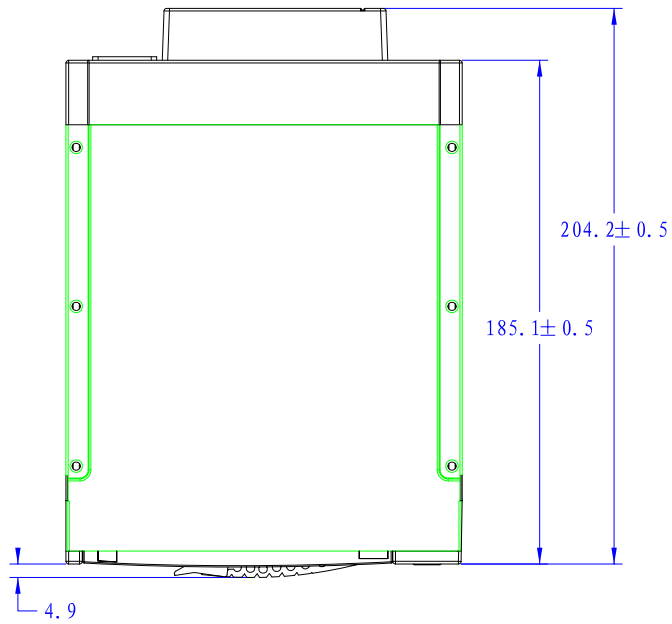


Rev.	Type	Description	App'd



UNLESS OTHERWISE SPECIFIED TOLERANCE .XX ± 0.25 .X ± 0.5 ANGLE ± 1°	APPROVED BY:		<b>iStarUSA®</b>							
	CHECKED BY:									
	DRAWING BY:	Ripple-Nov 27 2012	TITLE:	<b>BPU-230HD</b>						
	MATERIAL:	/	PART NO:							
DO NOT SCALE DRAWING	FINISH:	/	DWG NO:							
SHEET 1 OF 1	SIZE:	A4	PROJECTION:		UNIT:	MM	SCALE:	1:1	REV:	A0