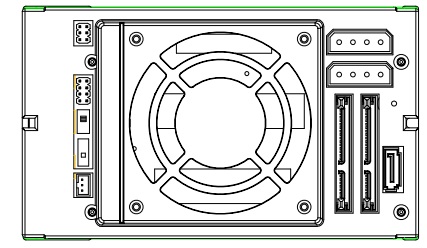
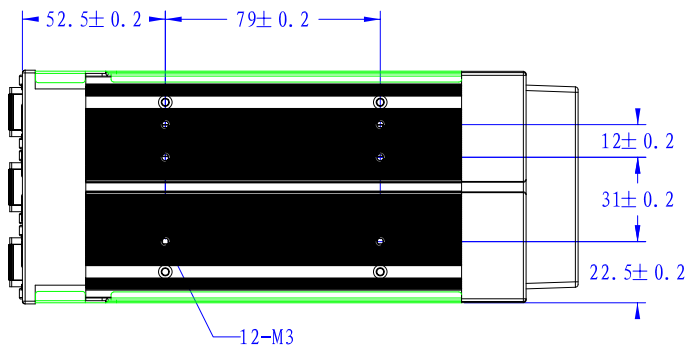
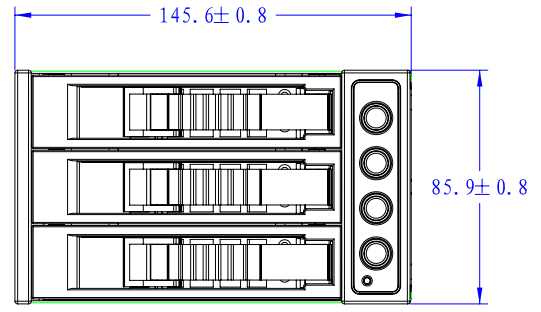
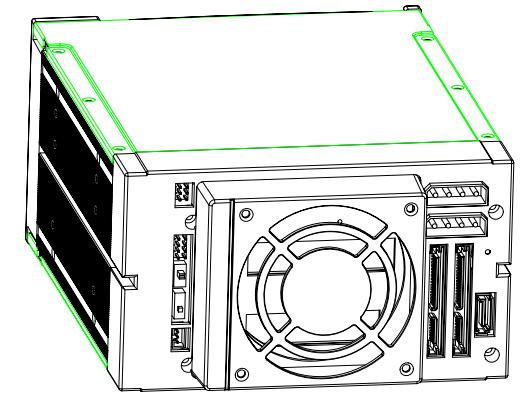
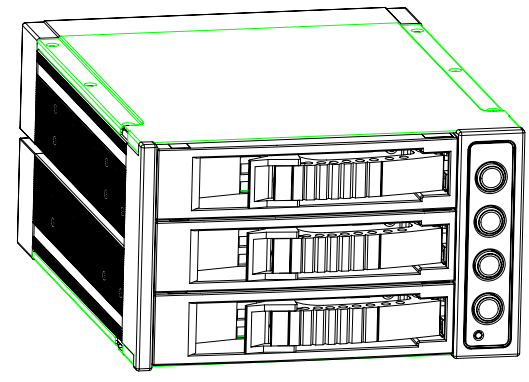
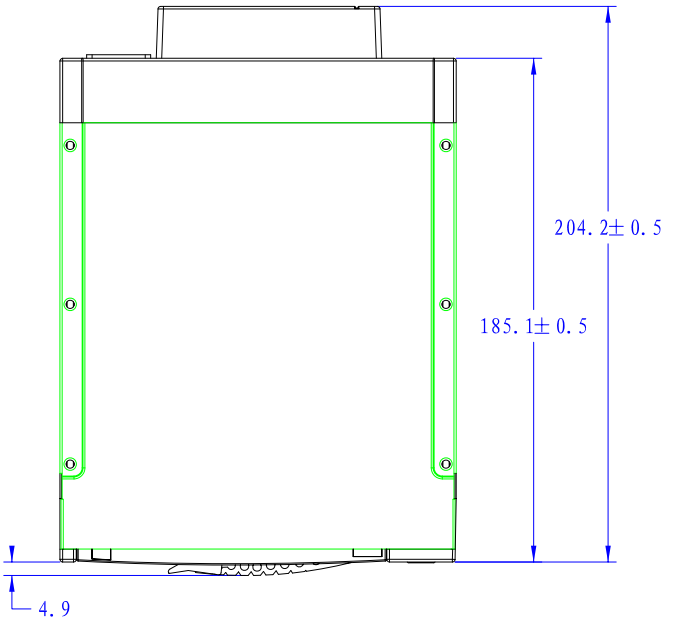


Rev.	Type	Description	App'd

A  
B  
C  
D  
E  
F



UNLESS OTHERWISE SPECIFIED TOLERANCE .XX ± 0.25 .X ± 0.5 ANGLE ± 1°	APPROVED BY:		<b>iStarUSA®</b> Powered by iStarUSA Group	
	CHECKED BY:			
	DRAWING BY:	Ripple-Nov 27 2012	TITLE:	<b>BPU-230SATA</b>
	MATERIAL:	/	PART NO:	
DO NOT SCALE DRAWING	FINISH:	/	DWG NO:	
SHEET 1 OF 1	SIZE:	A4	PROJECTION:	
	UNIT:	MM	SCALE:	1:1
	REV:	A0		

1 2 3 4 5 6 7 8