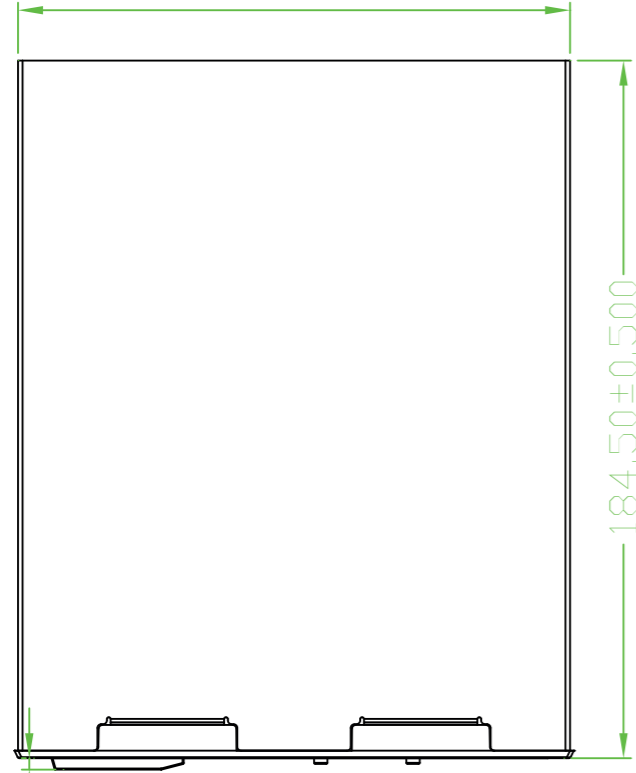
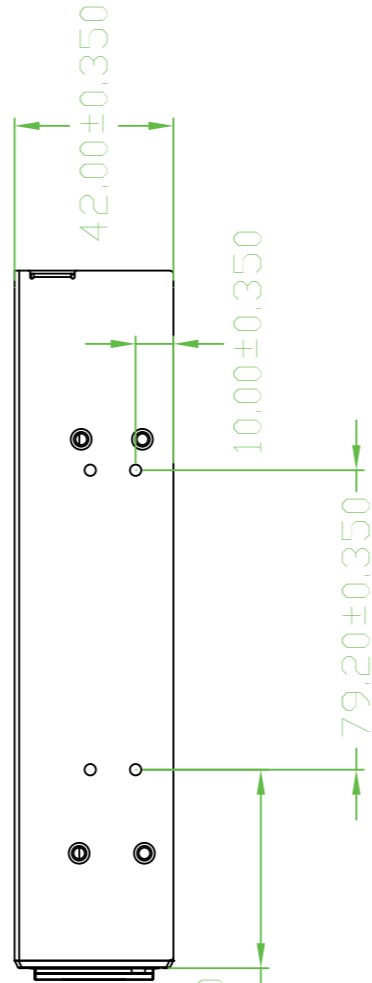
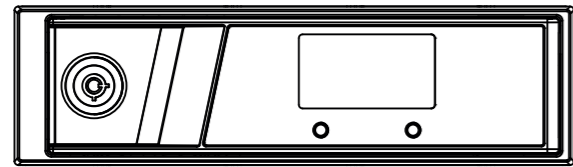


146.00±0.50



184.50±0.50

3.02±0.50

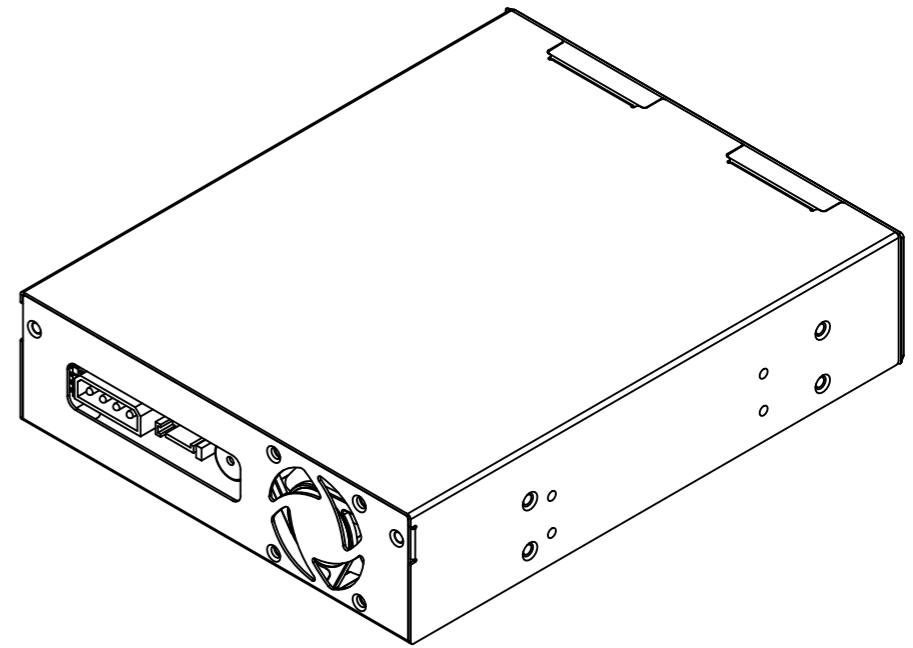
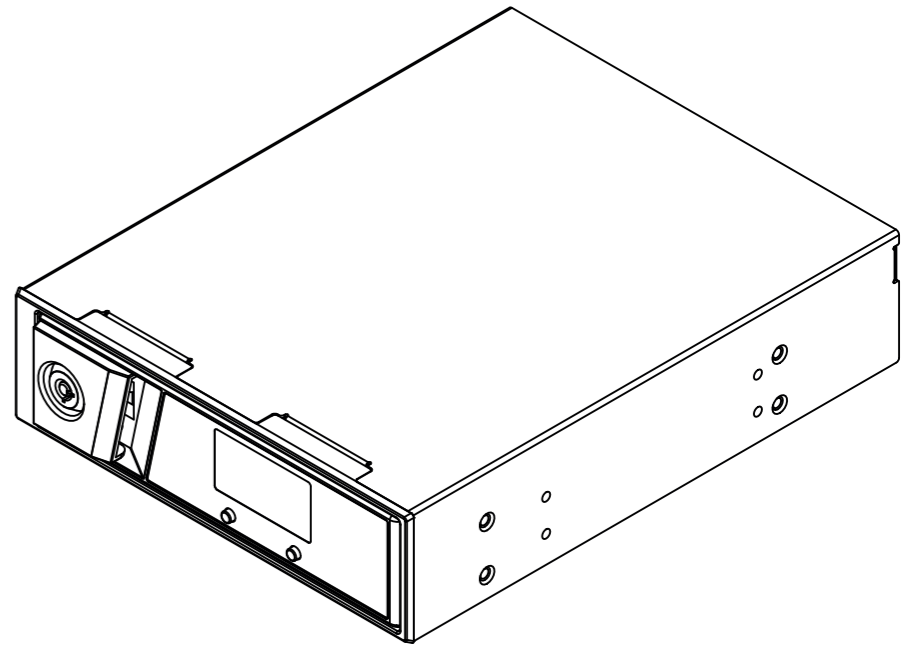
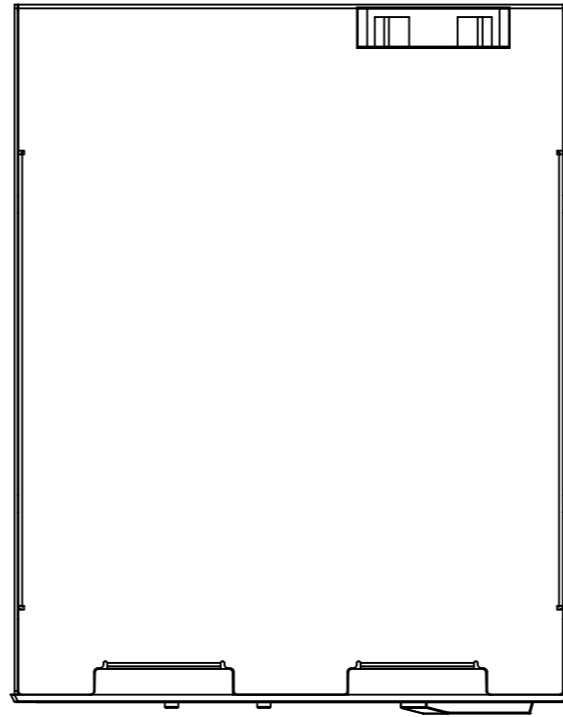


42.00±0.350

10.00±0.350

79.20±0.350

52.50±0.350



GENERAL TOLERANCES

.X:	±0.50
.XX:	±0.20
.XXX:	±0.05
X:	±2.0°
X.X:	±1.0°
X.XX:	±0.5°

APPROVED BY:

CHECKED BY:

DRAWING BY:

MATERIAL:

SURFACE FINISH:

Wu 2015-9-2

SIZE: A3

PROJECTION:

iStarUSA®

Powered by iStarUSA® Group

TITLE:

PART NO:

DWG NO:

BPX-525-SA

UNIT: MM

Scale: 1:2

LTR	REVISION RECORD	ECR	ECN	DRG	CHK	DATE
-----	-----------------	-----	-----	-----	-----	------

SHEET 1 OF 1