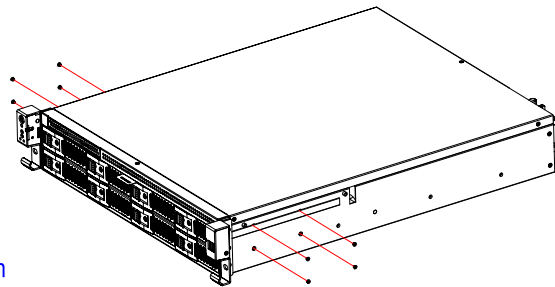
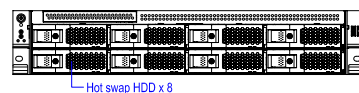
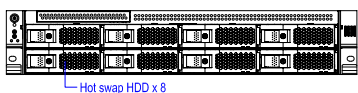
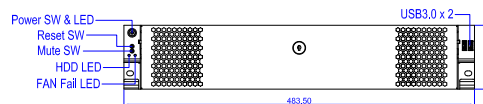
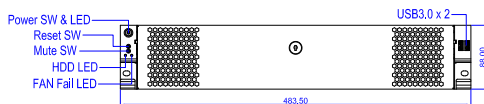
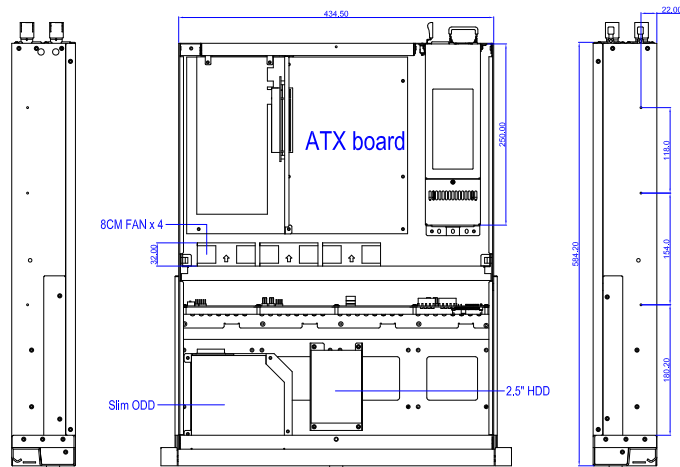
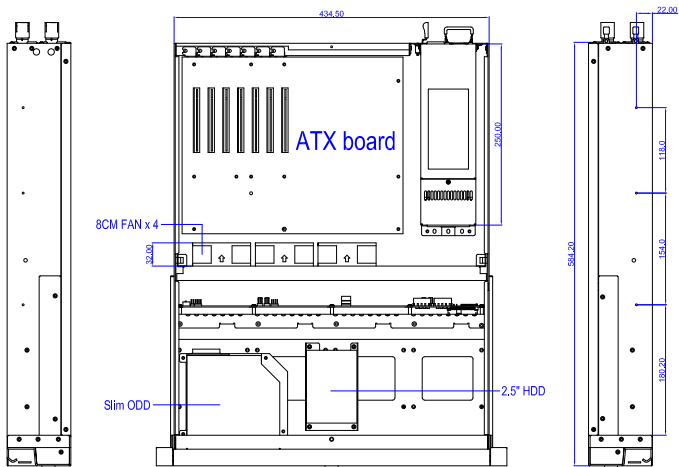
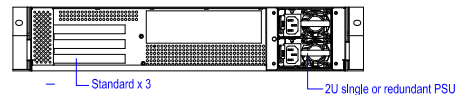
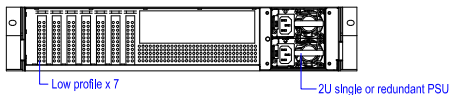
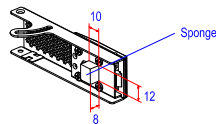


Model No.	C-280HD
Ext	3.5" x 8 , Slim ODD x 1
Hid	2.5" x 1
M/B	12" x 9.6"
Fan	8CM x 3,(Option 8CM x 1)
Slot	x 7 (Low Profile) or Standard x 3
Rev.	2023/01/30



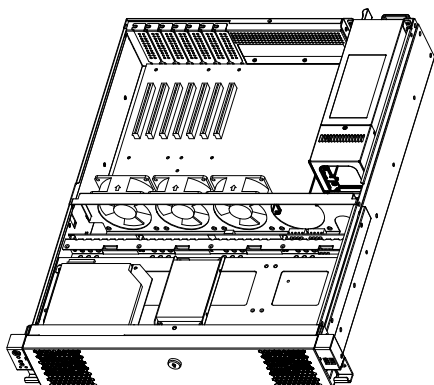
REVISIONS			
REV.	DESCRIPTION	DATE	BY

2022/11/22 modified  
 (1) screw length changed from 4mm to 3mm



Open Door

Open Door



PROPRIETARY AND CONFIDENTIAL  
 THE INFORMATION CONTAINED IN THIS  
 DRAWING IS THE SOLE PROPERTY OF  
 ISTARUSA GROUP. ANY  
 REPRODUCTION IN PART OR AS A WHOLE  
 WITHOUT THE WRITTEN PERMISSION OF  
 ISTARUSA GROUP IS  
 PROHIBITED.

			DIMENSIONS ARE IN MM TOLERANCES: FRACTIONAL ± ANGULAR: MACH ± BEND ± TWO PLACE DECIMAL ± THREE PLACE DECIMAL ±		NAME	DATE
					DRAWN	
					CHECKED	
					ENG APPR.	
					MFG APPR.	
					Q.A.	
					COMMENTS:	
NEXT ASSY	USED ON		MATERIAL			
BY	UA		FINISH			

**iStarUSA™**  
**C-280HD**

SIZE	DWG. NO.	REV.
A	Draw1	
SCALE:1:1	WEIGHT:	SHEET 1 OF 1