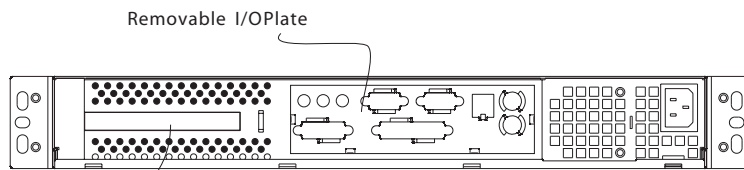
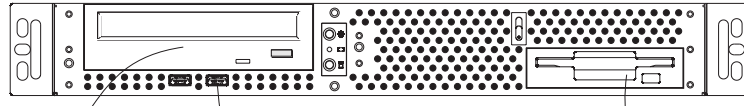
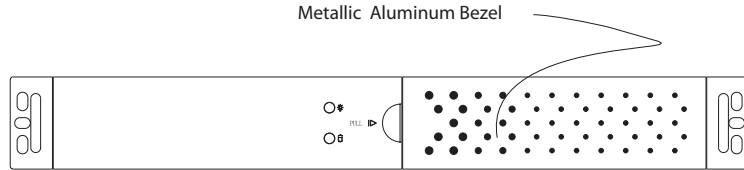
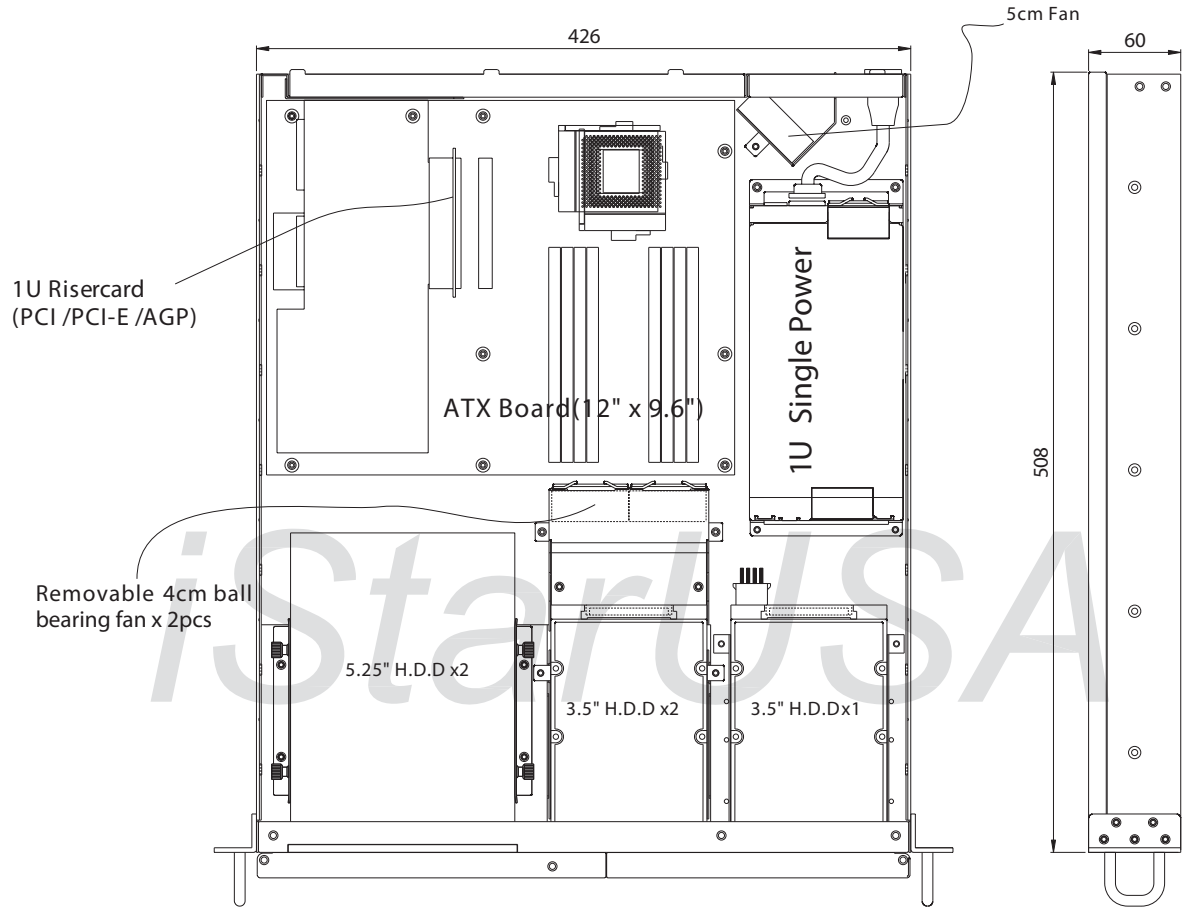


A | B | C | D | E | F | G

1 | 2 | 3 | 4 | 5 | 6 | 7 | 8 | 9 | 10



Dimensions unit: mm



Model NO.	D-107	iStarUSA		
EXT		DATE		
INT		PROJ		
M/B		REV NO.	X	SCALE 1:1
SLOT		DRAWN	ANDY	UNIT mm

A | B | C | D | E | F | G

10