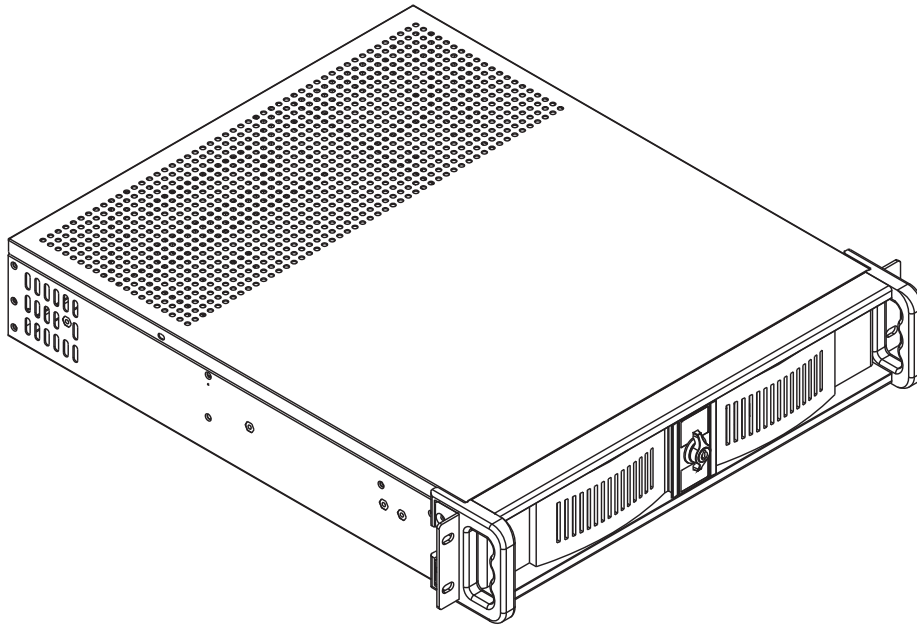




Product Quick Guide

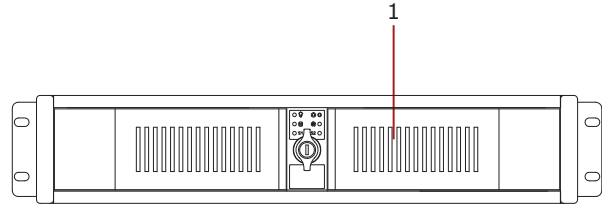


Model Number: **D-200-FS**

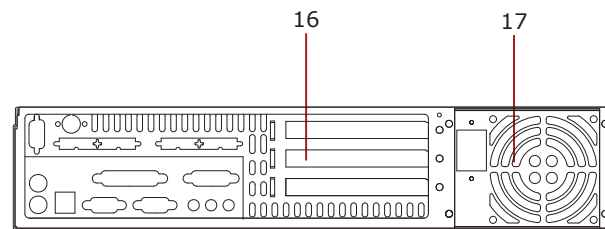
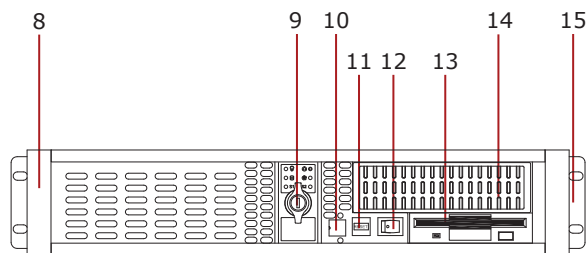
2U Rackmount Chassis

Hardware Guide

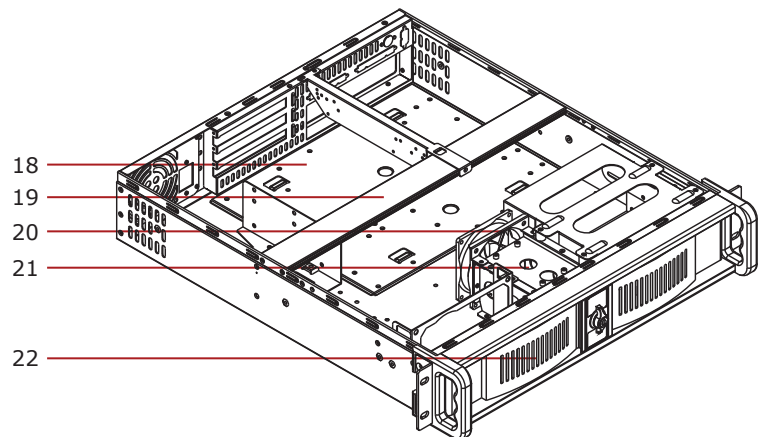
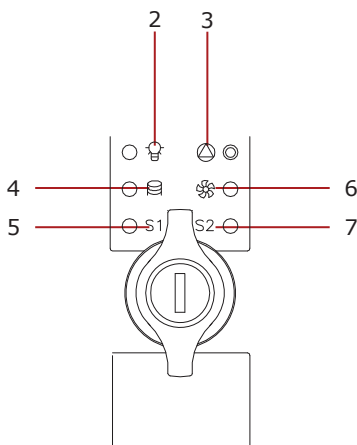
1. Aluminum Bezel
(3 color Options: Red, Blue, Silver)
2. Power LED
3. Alarm reset
4. HDD LED
5. Temp Sensor 1 LED (TC-ISF08 require)
6. Fan LED (TC-ISF08 require)
7. Temp Sensor 2 LED (TC-ISF08 require)
8. Handle
9. Key lock
10. USB 2.0
11. Reset button
12. Power button
13. 3.5" Bay X1
14. 5.25" Bay X1
15. Ear Mount
16. Expansion slot
17. 1x 80mm Fan (optional)
18. For ATX, micro-ATX MB
19. Cross bar/ Fan bar
20. 1x 80mm Fan
21. For Optional Sensor Board TC-ISF08
22. Removable Air Filter



Front View



Rear View



Top View

Package Contents

1. Screws kit x1
2. Cable tie
3. Key



Optional/ Related Items



T5PF-SA

1 x 5.25" Bay Trayless
Anti-vibration SATA Mobile
Rack



BPU-2535V2

1 x 3.5" to 2 x 2.5" SATA I/
II Hot-Swap Drive Cage



RP-HUB-SAUFB

3.5" Combo Hub for
USB2.0/ Firewire/ e-SATA



BPU-124V2-SS

1 x 5.25" to 4 x 2.5" SATA/
SAS 6.0 Gb/s Hot-Swap
Cage



T-7M1-SATA

1x5.25" Bay Audio SATA/
SAS 6.0 Gb/s Mobile Rack



T5F-SS

1x5.25" Bay Trayless Anti-
vibration SAS/SATA Mobile
Rack



T-7-SA

1x5.25" Bay Military Series
SAS/SATA 6.0Gb/s Mobile
Rack



TC-RAIL-26

26" Sliding Rail Kit for Most
Rackmount Chassis