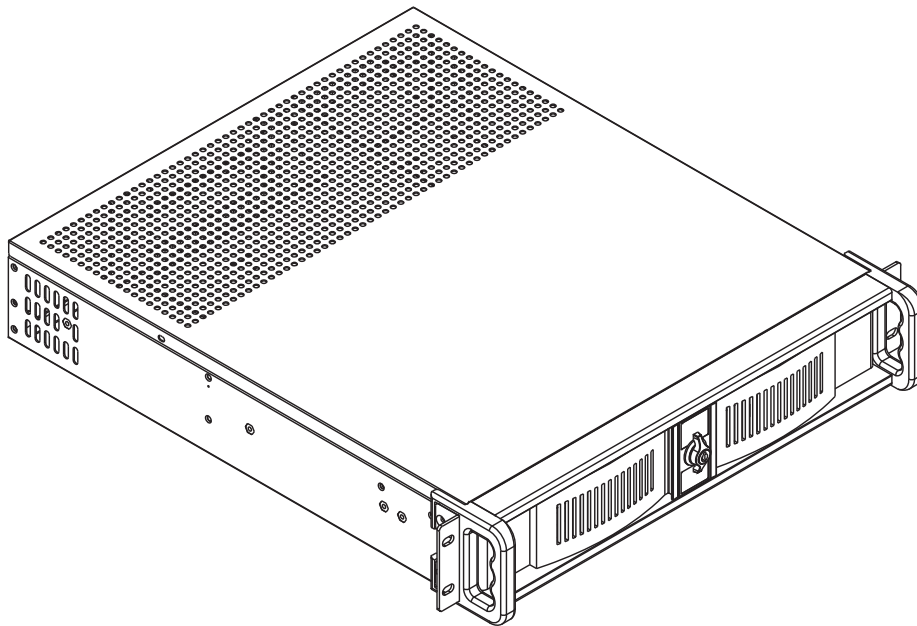




# Product Quick Guide

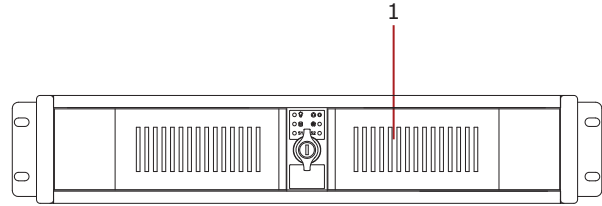


Model Number: **D-200-T**

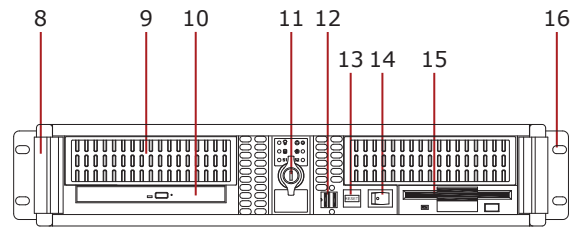
2U Rackmount Chassis

# Hardware Guide

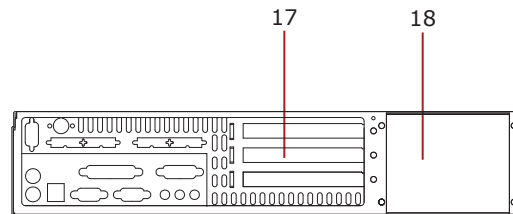
1. Aluminum Bezel  
(3 color Options: Red, Blue, Silver)
2. Power LED
3. Alarm reset
4. HDD LED
5. Temp Sensor 1 LED (TC-ISF08 require)
6. Fan LED (TC-ISF08 require)
7. Temp Sensor 2 LED (TC-ISF08 require)
8. Handle
9. 5.25" Bay X2
10. Slim 5.25" Optical X1
11. Key lock
12. USB 2.0
13. Reset button
14. Power button
15. 3.5" Bay X1
16. Ear Mount
17. Expansion slot
18. For 2U Power Supply
19. For ATX, micro-ATX MB
20. Cross bar/ Fan bar
21. 1x 80mm Fan
22. For Optional Sensor Board TC-ISF08
23. Removable Air Filter



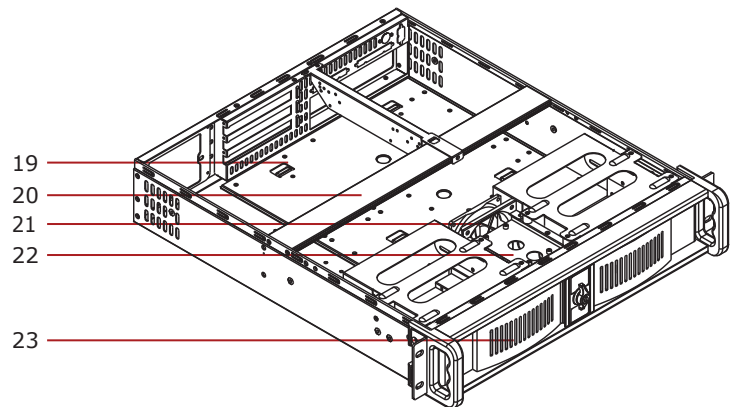
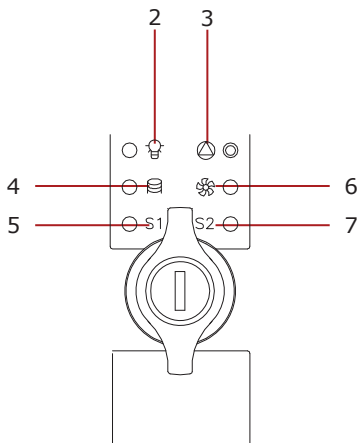
Front View



Front Open View



Rear View



Top View

# Package Contents

1. Screws kit x1
2. Cable tie
3. Key



## Optional/ Related Items



T5PF-SA

1 x 5.25" Bay Trayless  
Anti-vibration SATA Mobile  
Rack



BPU-2535V2

1 x 3.5" to 2 x 2.5" SATA I/  
II Hot-Swap Drive Cage



RP-HUB-SAUUF

3.5" Combo Hub for  
USB2.0/ Firewire/ e-SATA



BPU-124V2-SS

1 x 5.25" to 4 x 2.5" SATA/  
SAS 6.0 Gb/s Hot-Swap  
Cage



T-7M1-SATA

1x5.25" Bay Audio SATA/  
SAS 6.0 Gb/s Mobile Rack



T5F-SS

1x5.25" Bay Trayless Anti-  
vibration SAS/SATA Mobile  
Rack



T-7-SA

1x5.25" Bay Military Series  
SAS/SATA 6.0Gb/s Mobile  
Rack



TC-RAIL-26

26" Sliding Rail Kit for Most  
Rackmount Chassis