

iStarUSA™

iStar, Good Start!

D-200

INSTALLATION MANUAL



FOR MORE INFORMATION, PLEASE VISIT WWW.ISTARUSA.COM



Copyright

Copyright © 2006 by iStarUSA, Inc., all right reserved. No part of this publication may be reproduced, transmitted, transcribed, stored in a retrieval system, translated into any language, in any form or by an means or otherwise, without the prior written permission of iStarUSA Inc. 727 Phillips Drive, City of Industry, CA 91748.

iStarUSA Inc. reserves the right to make modification and additions to this product and manual without notice or taking any liability.

Trademarks

iStarUSA, ImageShape, and D-Storm are all registered trademarks of iStarUSA, Inc. All other trademarks herein are properties of their respective owners.

Disclaimer

iStarUSA Inc. assumes no liability for errors or omissions in this document. Nor dose iStarUSA Inc. make any commitment to update the information contained herein. Pictures in this document are for demonstration purpose only and may not be the same as the actual product.



Safety Instructions

Please read this section carefully and follow the instructions for your own safety and proper use of the device. It also contains information on approval and interference suppression of your machine.

Please pay attention to the warnings and instructions on the device and in the manual.

In order to maintain this condition and ensure safe operation, users must follow the instructions and warnings contained in this manual.

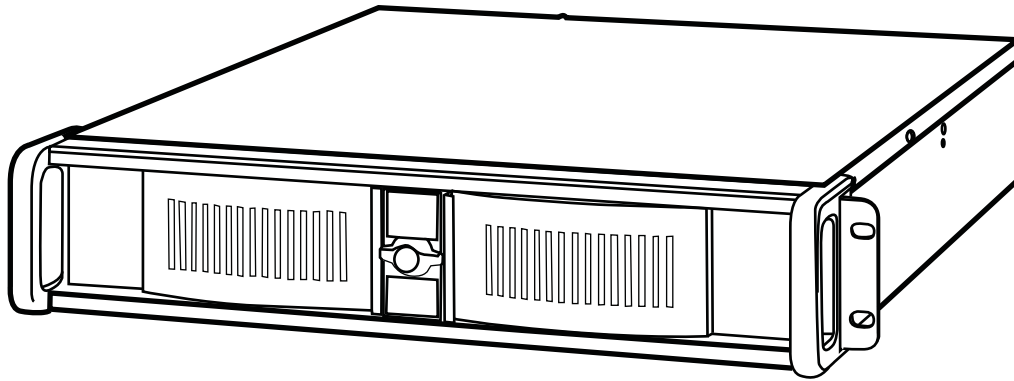
- ▷ The device must be used in accordance with the instruction for use.
- ▷ The electrical installation condition in the room must correspond to the requirements of the respective regulations.
- ▷ Take care that there are no cables, particularly mains cables, in areas where persons can trip over them.
- ▷ Do not use a main connection in sockets shared by a number of other power consumers. Do not use an extension cable.
- ▷ Only use the supplied cable.
- ▷ The unit is completely disconnected from the power source, only when the power cord is disconnected from the power source. Therefore the power cord and its connectors must always remain easily accessible.
- ▷ Do not setup the device in the proximity of heat sources or in a damp location. Make sure the device has adequate ventilation.
- ▷ All plugs on the connection cables must be screwed or locked to the housing.
- ▷ Do not touch the board or any other sensitive components without all necessary anti-static protections.



Table of Contents

D-2000

▶ Introduction1
▶ Features1
▶ Specifications2
▶ Package Contents
▶ Installation6
▶ Technical Support11
▶ Warranty Information11



Introduction

Thank you for choosing iStarUSA products.

The 2U compact industrial rackmount chassis D-200 D-200 has full size I and length supports AT and AT D200 only motherboard. Optional T- enable hot-swappable storage and support 1 0 1 0 raid configuration, and total storage capacity up to storage drives. D-200D 200 support add-on cards include PCI, PCI-, A P, or PCI- press architecture that provide your server or cluster maximum flexibility and performance. Extra cooling with 0mm fans D-200 only offers excellent cooling to dual CPU system.

Features

- Standard 19 rackmount case
- 1.2mm S CC inc-coated steel body Aluminum shell
- lockable front door
- Detachable card cage for easy installation and maintenance
- ashable air filter
- front access USB 2.0 ports
- optional color door
- optional D or low profile rackplane
- optional redundant power supply
- CC C industrial Class A approval



Specifications

Model No.	D-200	D-200
Form factor	2U	
Internal .2	2	
Internal .	2	
Mainboard Size	12 10	12 1
Switches	Power on/off, System Alarm reset	
Front Panel Ds	Power on/off, DD, Fan Alarm	
Front connector	Front US 2.0 2	
Clearing Cooling fans	0mm 1	0mm
Air filter	removable	
Bus Card	2 bits PCI or A P 1 PCI 2	
Security	Front panel Door lock	
Speaker	0.5W Built-In	
Material of front panel	Aluminum alloy	
Material of handle	SUS304 - Coated Steel	
Material of Main Chassis	1.2mm SUS304 - Coated Japan Steel	
Color of front panel	Standard black, red, blue, Silver, and gold Custom Available	
Color of Main Chassis	Standard black Custom Available	
Dimensions (D)	19.0 2 0.1	19.0 2 1.1
Net weight	11.6 lbs	21.6 lbs
Recommended PSU	TC-2U, TC-2U 0 TC-2U 6, TC- 0 2U TC- 00 2U, TC- 60 2U	

Operating Altitude 10,000 feet
 Power Supply 1U, 2U Redundant
 Temperature 0- 50°C operating 1- 60°C
 storage
 Humidity 5-95% non-condensing
 Safety Standard CE



Package Contents

D-200 D-200 rackmount chassis

Installation manual

Accessories box

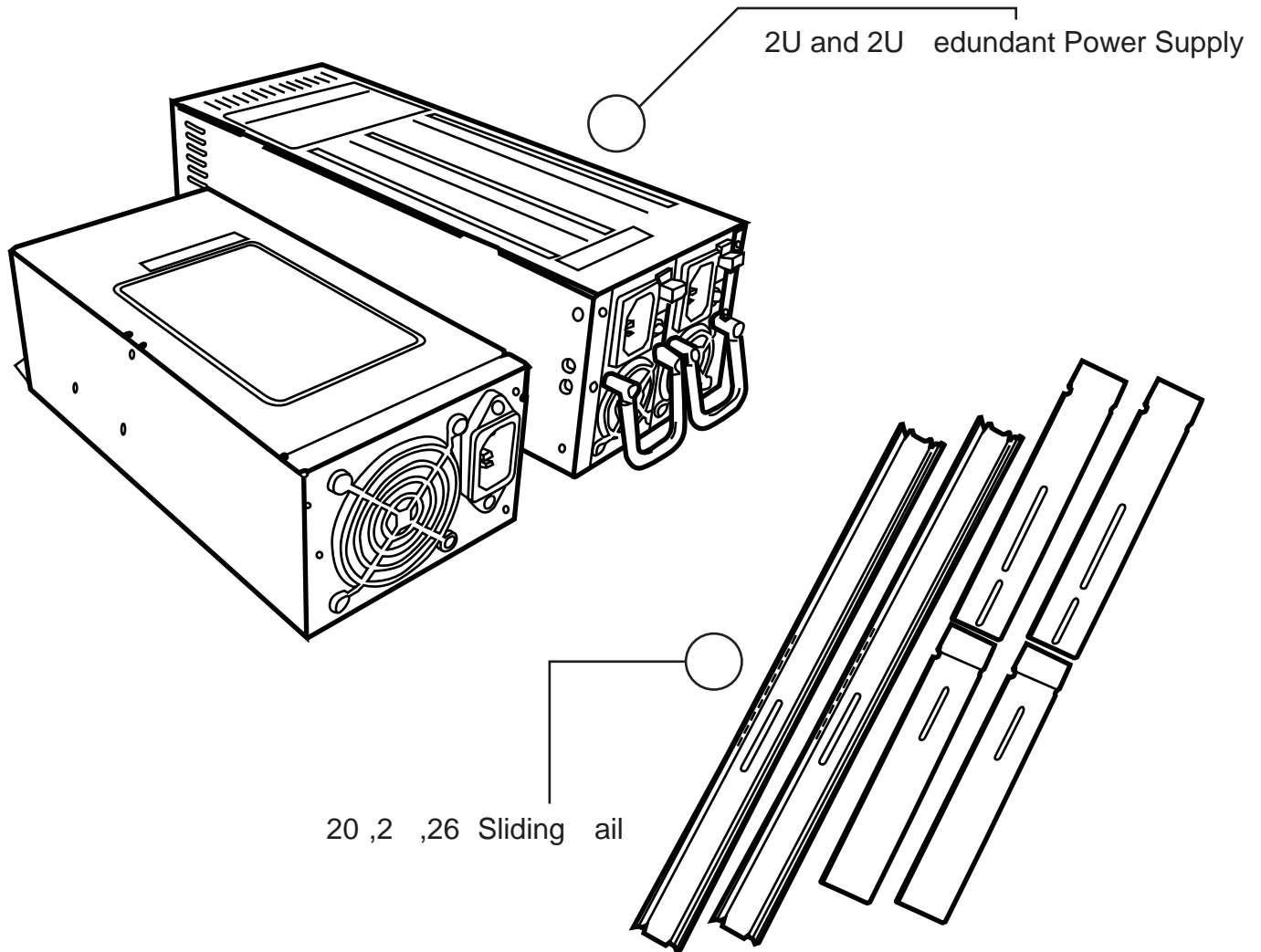
2U 2 slot -slots PCI riser card 6th slot, position

iStarUSA 2U Power Supply optional

iStarUSA 2U redundant Power Supply optional

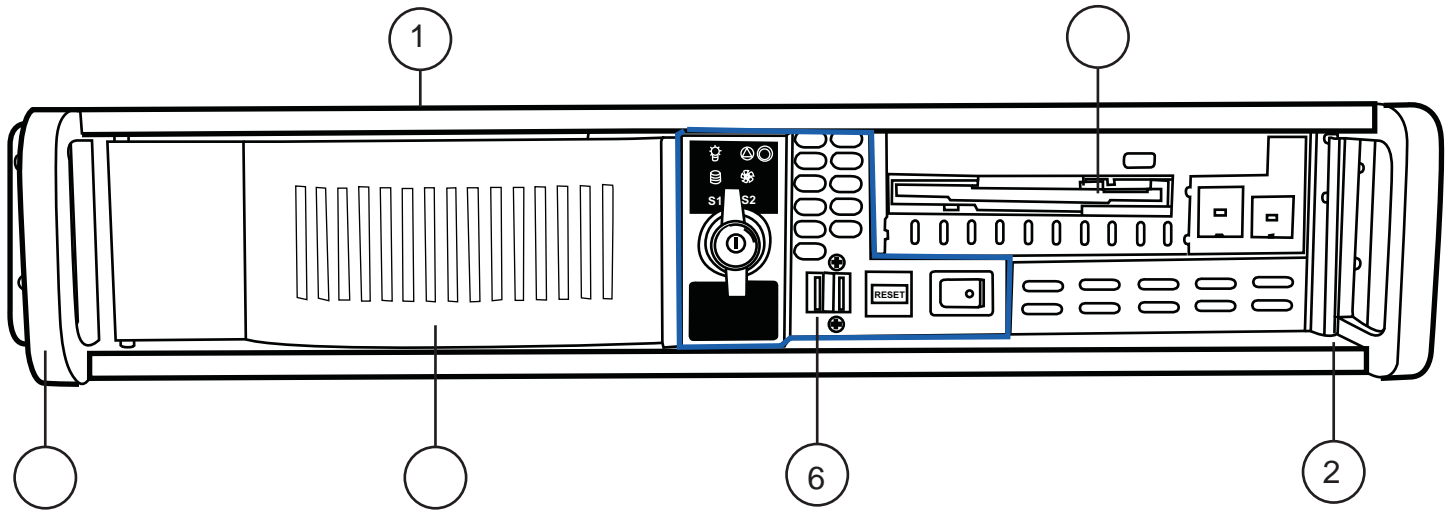
Sliding rail 20 ,2 ,26 optional

Optional Accessory





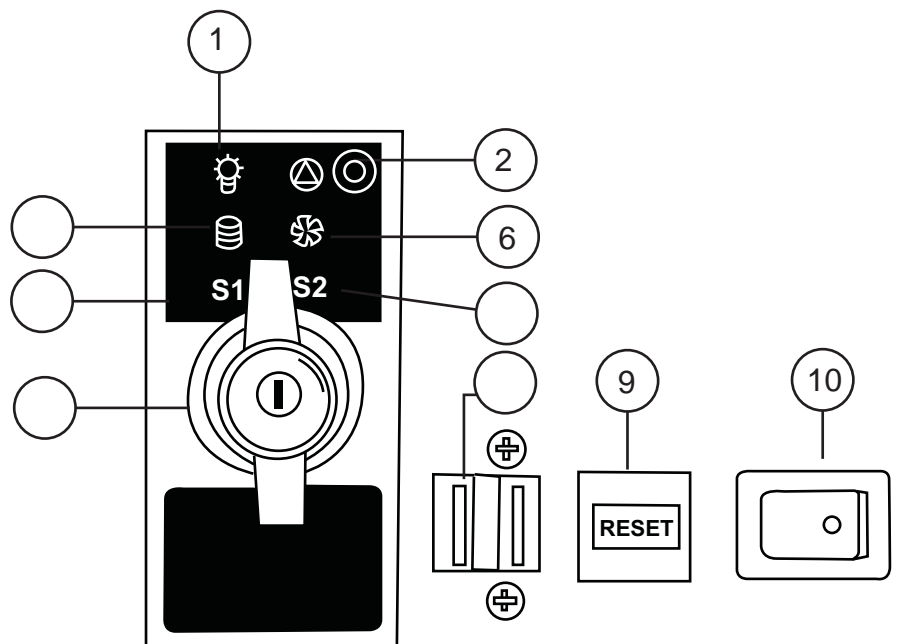
Front View



1	Aluminum Crossbar	4	Chassis Handle
2	Patented Door	5	Stylish Aluminum Bezel
3	Drive Cage	6	Front I/O Ports

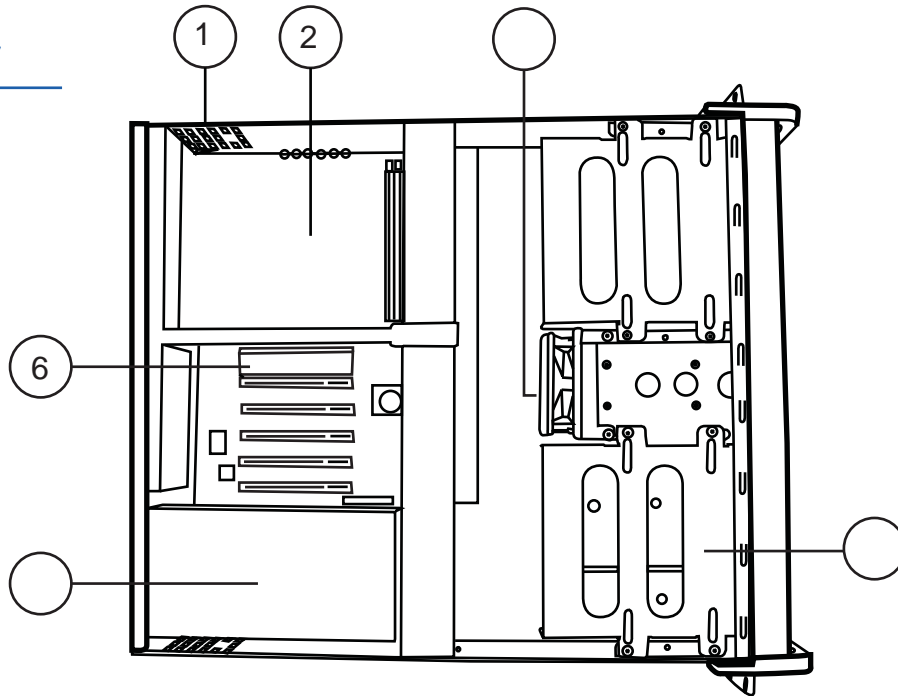
Front Panel Drives and Connectors

1	System Power
2	Alarm Reset Switch
	Drive Activity LED
	Temperature LED D1
	Security Lock
6	Drive Failure LED
	Temperature LED D2
	USB 2.0 2 Ports
9	System Reset Switch
10	System Lock Switch



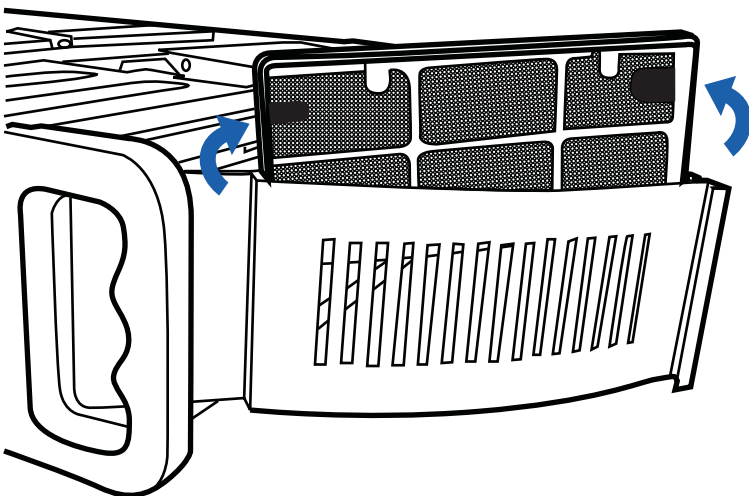


Top view



1	Thermal Air Ventilation	4	Drive Cage
2	ATX Motherboard Supported	5	2U or Redundant Power Supply
3	System Cooling Fan	6	3-Slots PCI Riser Card

Air filter



Cleaning frequency will depend on the operating environment. Clean the air filter mat more often if the environment is extremely dusty.

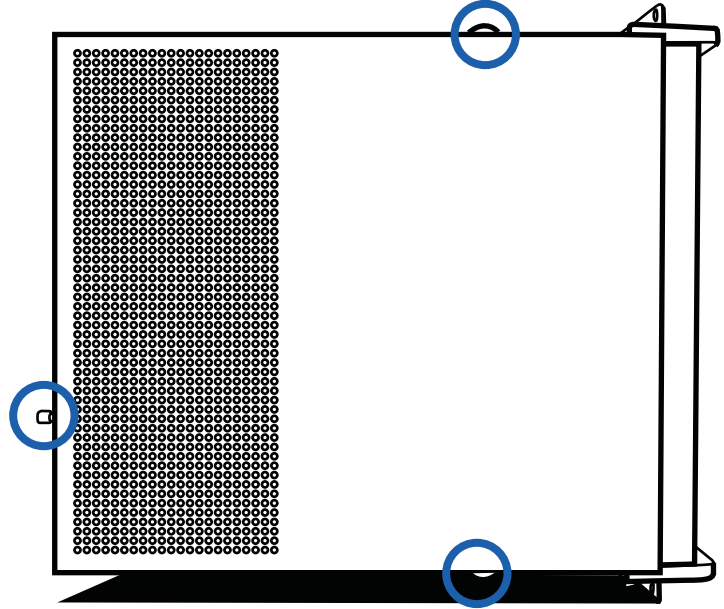
To remove the air filter mat located at the front of the system, proceed as following steps

1. Open the door and remove the air filter.
2. To clean the air filter
 - a. Vacuum or blast with warm compressed air
 - b. Rinse in water detergent is optional
 - c. Do not clean the filter with sharp object
 - d. Reinstall air-filter after it is completely dry

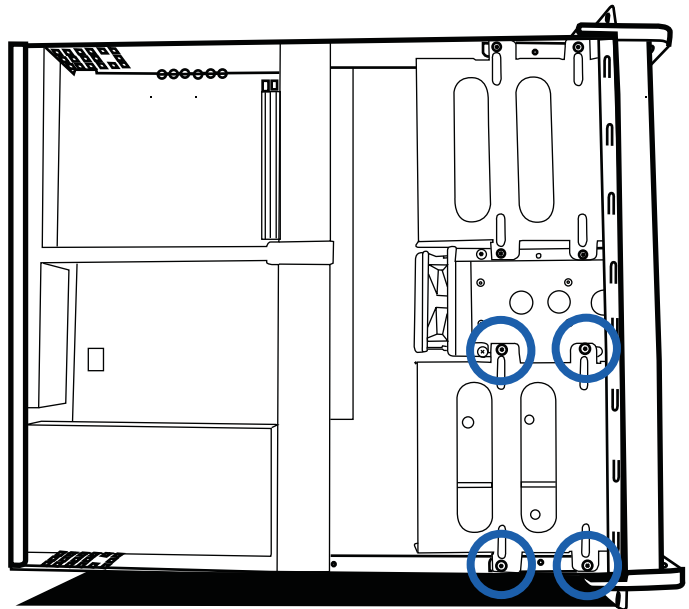


Installation

1. remove the screws to remove the top cover



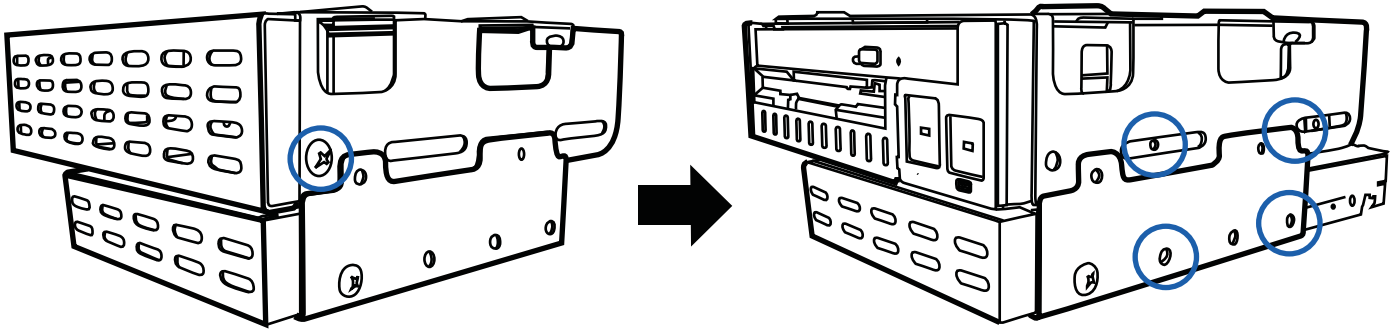
2. remove the screws to remove the drive bay cage



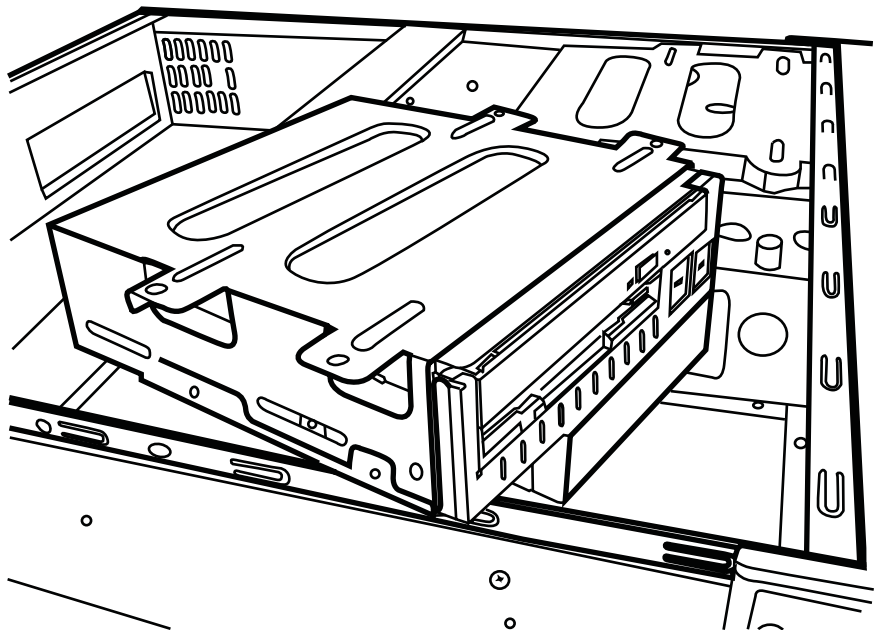


Installation

- remove cage cover and mount the D and CD-



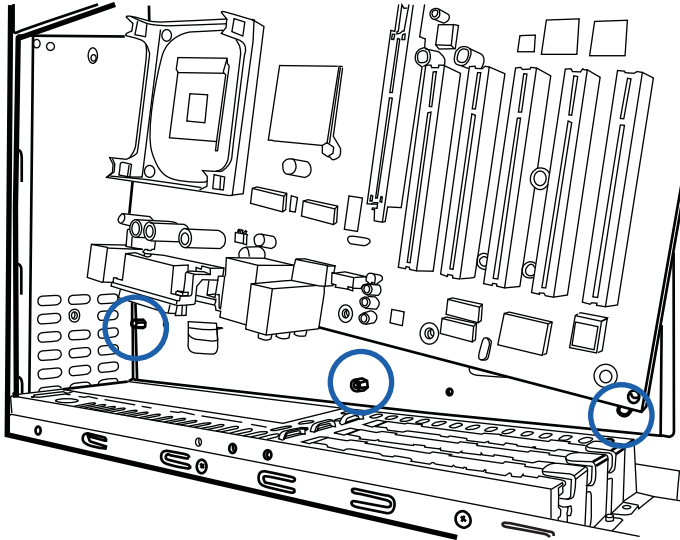
- install the drive cage



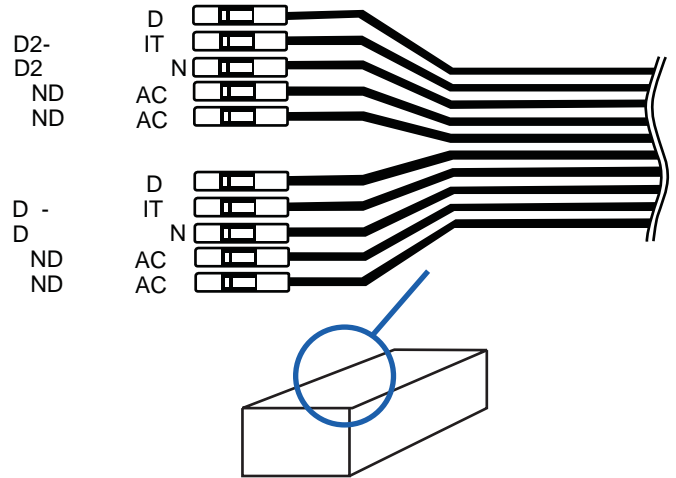


Installation

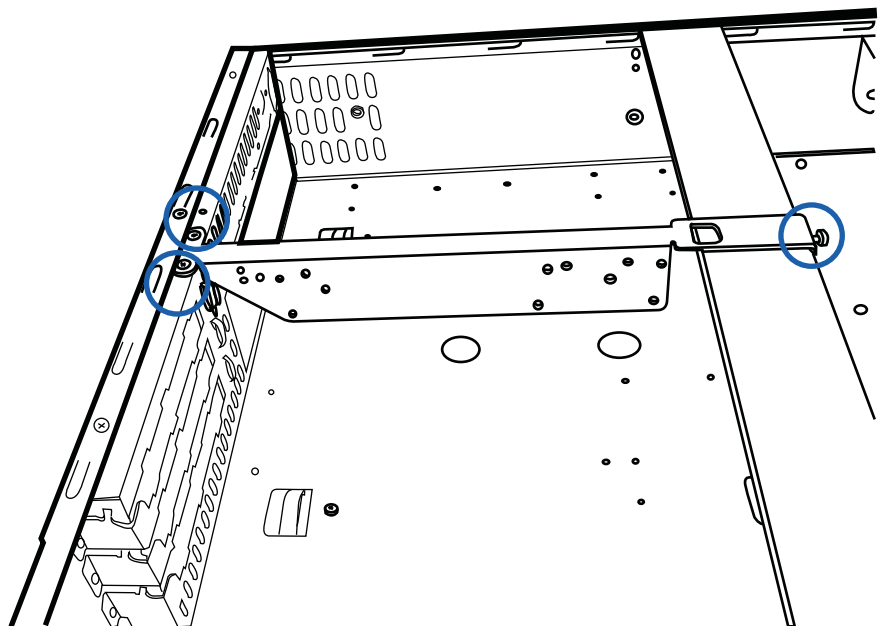
- Install stand off and motherboard.
Connect US and front I Connectors.
The US pin-out is on the accessory bo



US Cable Connector Draw



- 6. Install 2U riser card for 6th slot position motherboard, first remove the supporting bar

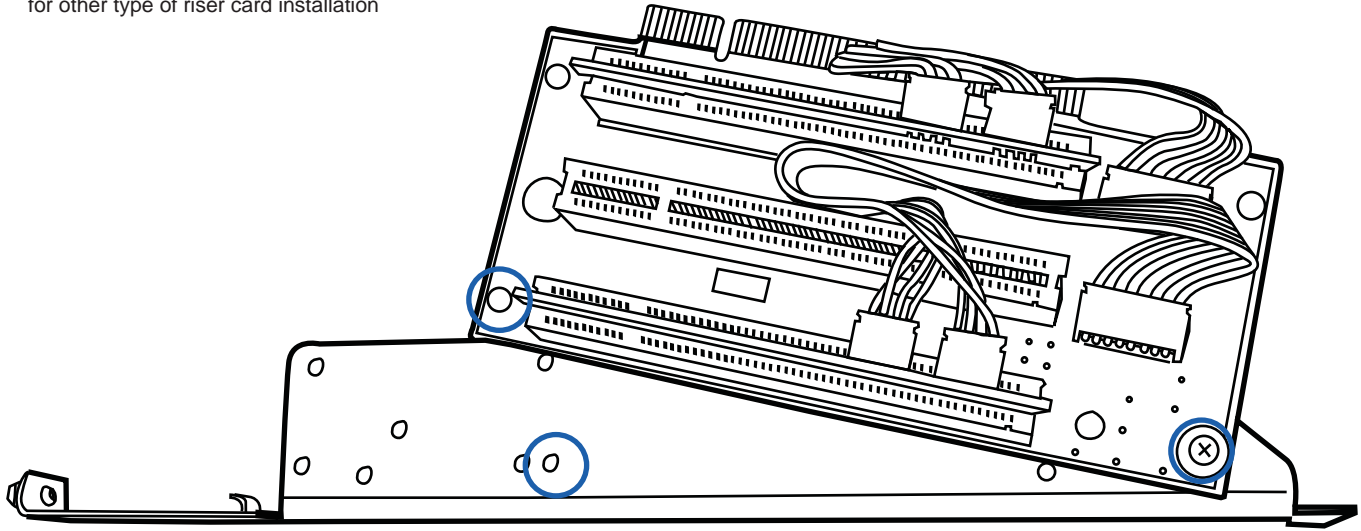




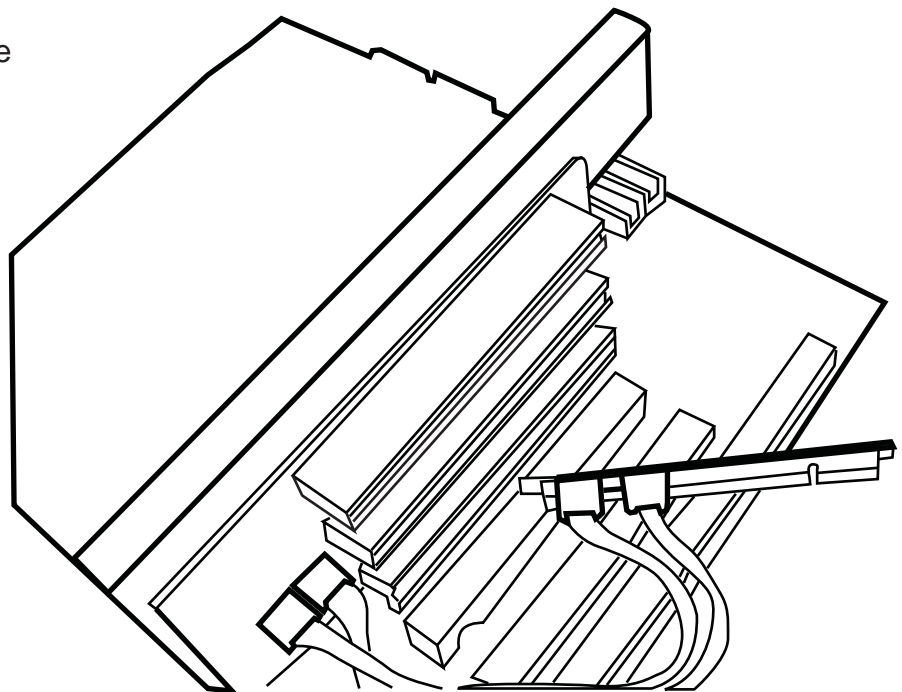
Installation

- 1. Mount the riser card on to the supporting bar

Please consult professional technician for other type of riser card installation



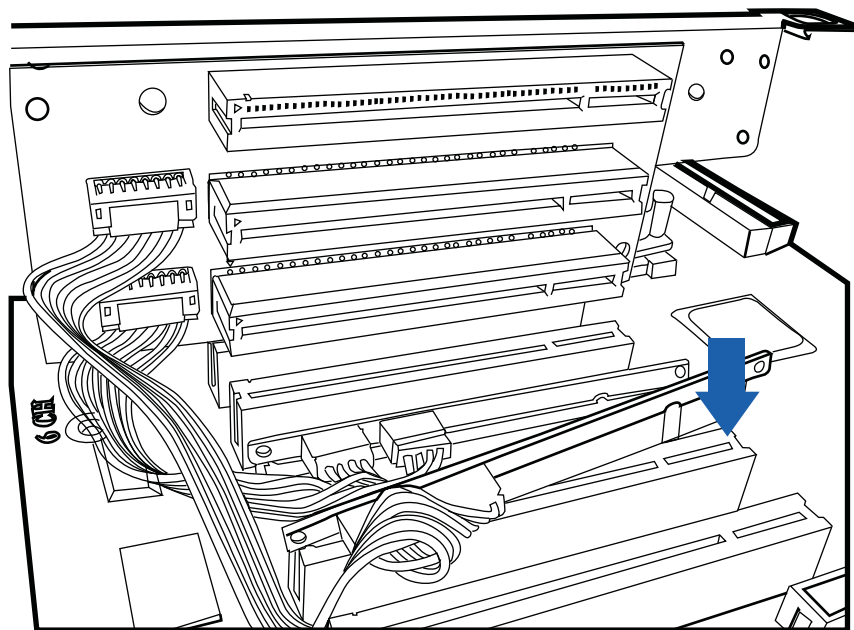
- 2. Plug in the riser card and secure the supporting bar





Installation

9. Plug in the daughter connector to PCI slots





Technical Support Information

Contact Technical Support

our 9A - P PST

727 Phillips Dr.

City of Industry, CA 91748

Tel 1.626. 0 .

A 1.626. 01.0

mail Tech istarusa.com

One Year Limited Warranty

This limited warranty applies to products manufactured or distributed by I-Star USA Inc. iStarUSA, under the I-Star USA Inc brand name within the United States.

iStarUSA warrants that the product you have purchased from iStarUSA or from an authorized iStarUSA reseller is free from defects in materials and workmanship under normal use for a period of one (1) year from the original date of purchase. Warranty Period, your sales receipt, showing the date of purchase of the product, is your proof of the date of purchase. This limited warranty extends only to the original purchaser, is not transferable and excludes disposable parts.

This limited warranty does not extend to any product that has been damaged or rendered defective, a as a result of accident, misuse, or abuse, b by improper installation, c as a result of electrical surges or anomalies d by operating outside IPC usage parameters, e by unauthorized modification of products, or f as a result of service by anyone other than iStarUSA. iStarUSA is not responsible for damage to or loss of any software programs data or information, or for damage to other computer hardware and peripherals caused by the product.

Please contact our RMA department for repair or replacement of defective parts under warranty. Please email to rma@istarusa.com to obtain an RMA Number before you send back any products. Your shipment will not be accepted without issued RMA number.



emo

iStar, Good Start!