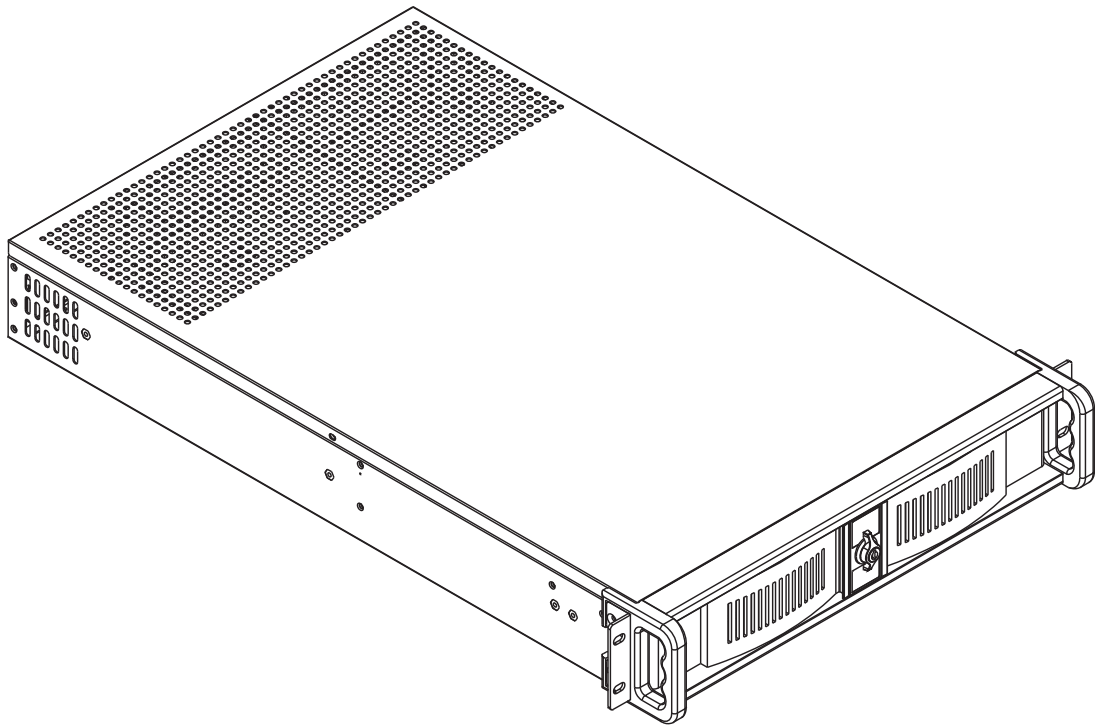




# Product Quick Guide

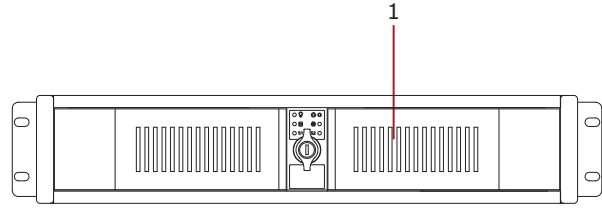


Model Number: **D-200L**

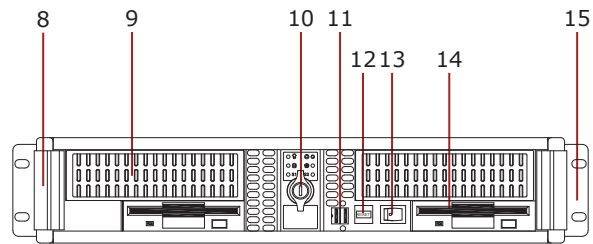
2U Rackmount Chassis

# Hardware Guide

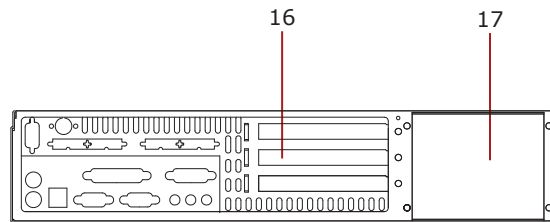
1. Aluminum Bezel  
(3 color Options: Red, Blue, Silver)
2. Power LED
3. Alarm reset
4. HDD LED
5. Temp Sensor 1 LED (TC-ISF08 require)
6. Fan LED (TC-ISF08 require)
7. Temp Sensor 2 LED (TC-ISF08 require)
8. Handle
9. 5.25" Bay X2
10. Key lock
11. USB 2.0
12. Reset button
13. Power button
14. 3.5" Bay X2
15. Ear Mount
16. Expansion slot
17. For 2U Power Supply
18. For E-ATX, ATX, micro-ATX MB
19. Cross bar/ Fan bar
20. 3x 80mm Hotswap Fan
21. For Optional Sensor Board TC-ISF08
22. Removable Air Filter



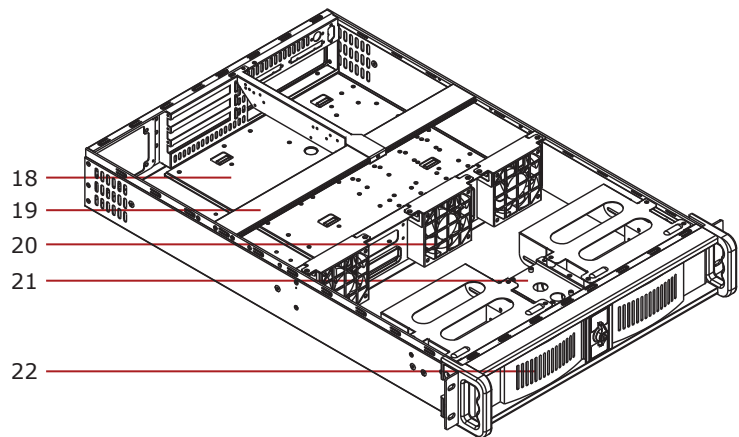
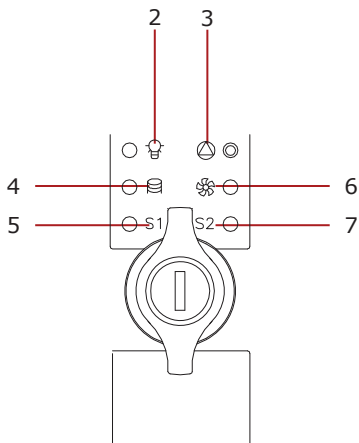
Front View



Front Open View



Rear View



Top View

# Package Contents

1. Screws kit x3
2. Fan power converter molex-2pin x 2
3. Cable tie



## Optional/ Related Items



T5PF-SA

1 x 5.25" Bay Trayless  
Anti-vibration SATA Mobile  
Rack



BPU-2535V2

1 x 3.5" to 2 x 2.5" SATA I/  
II Hot-Swap Drive Cage



RP-HUB-SAUUF

3.5" Combo Hub for  
USB2.0/ Firewire/ e-SATA



BPU-124V2-SS

1 x 5.25" to 4 x 2.5" SATA/  
SAS 6.0 Gb/s Hot-Swap  
Cage



T-7M1-SATA

1x5.25" Bay Audio SATA/  
SAS 6.0 Gb/s Mobile Rack



T5F-SS

1x5.25" Bay Trayless Anti-  
vibration SAS/SATA Mobile  
Rack



T-7-SA

1x5.25" Bay Military Series  
SAS/SATA 6.0Gb/s Mobile  
Rack



TC-RAIL-26

26" Sliding Rail Kit for Most  
Rackmount Chassis