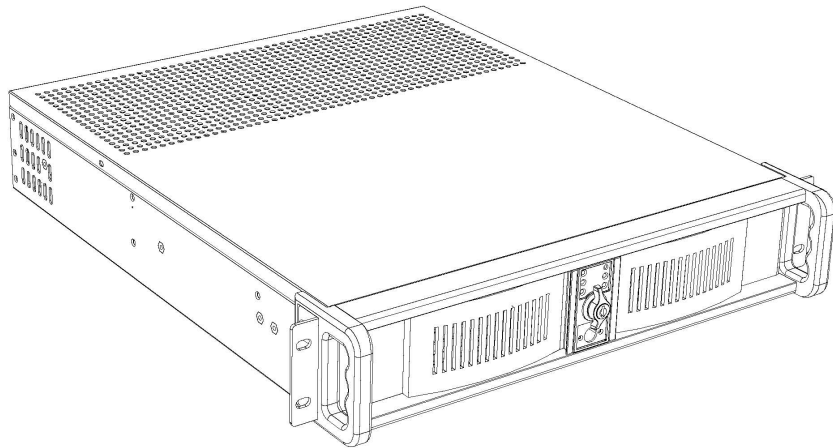


**iStarUSA<sup>®</sup>**  
Powered by iStarUSA<sup>®</sup> Group

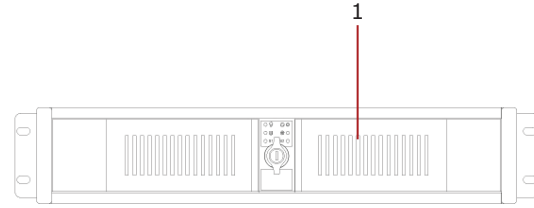
# Product Quick Guide



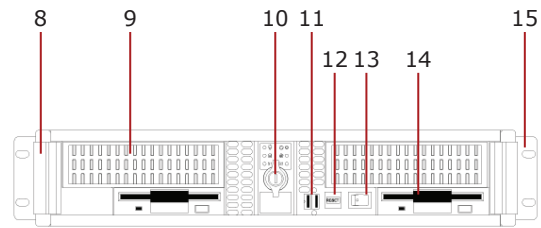
**Model Number: D-200**  
**2U Rackmount Chassis**

# Hardware Guide

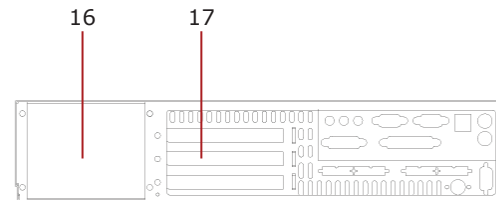
1. Aluminum Bezel  
(3 color Options: Red, Blue, Silver)
2. Power LED
3. Alarm reset (TC-ISF08 required)
4. HDD LED
5. Temp Sensor 1 LED (TC-ISF08 required)
6. Fan LED (TC-ISF08 required)
7. Temp Sensor 2 LED (TC-ISF08 required)
8. Handle
9. 5.25" Bay x2
10. Key lock
11. USB 2.0 x2
12. Reset button
13. Power button
14. 3.5" Bay x2
15. Ear Mount
16. For 2U power supply
17. Expansion slot x3 (low profile option)
18. Cross bar/ Fan bar
19. For ATX, micro-ATX MB
20. 80mm fan x1
21. For optional sensor board TC-ISF08
22. Removable air filter



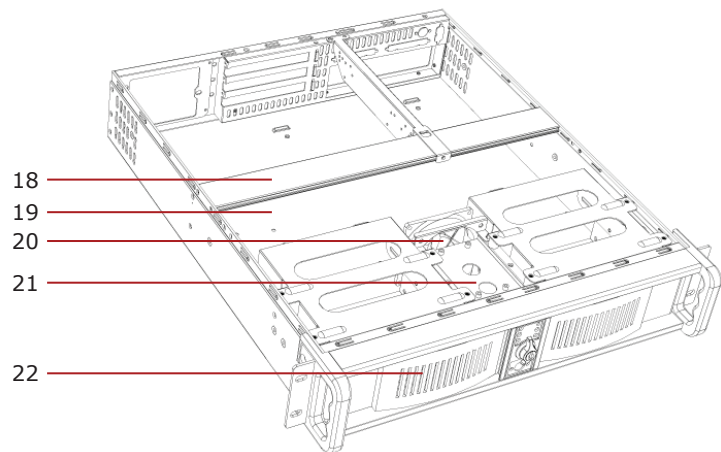
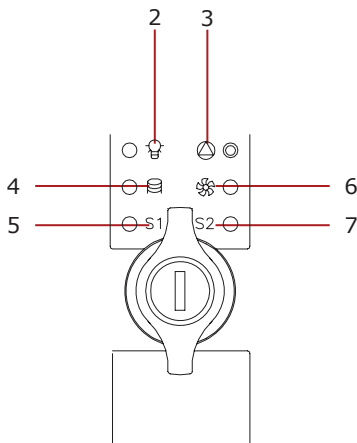
Front View



Front Open View



Rear View



Top View

# Package Contents

1. Screws kit x1
2. Cable tie
3. Key



## Optional Items



### T5PF-SA

1 x 5.25" Bay Trayless  
Anti-vibration SATA Mobile  
Rack



### BPU-2535V2

1 x 3.5" to 2 x 2.5" SATA I/  
II Hot-Swap Drive Cage  
Rack



### RP-HUB-SAU3F

3.5" Combo Hub for  
USB2.0/ Firewire/ e-SATA



### BPU-124V2-SS

1 x 5.25" to 4 x 2.5" SATA/  
SAS 6.0 Gb/s Hot-Swap  
Cage



### T-7M1-SATA

1x5.25" Bay Audio SATA/  
SAS 6.0 Gb/s Mobile Rack



### T5F-SS

1x5.25" Bay Trayless Anti-  
vibration SAS/SATA Mobile  
Rack



### T-7-SA

1x5.25" Bay Military Series  
SAS/SATA 6.0Gb/s Mobile  
Rack



### TC-RAIL-26

26" Sliding Rail Kit for Most  
Rackmount Chassis