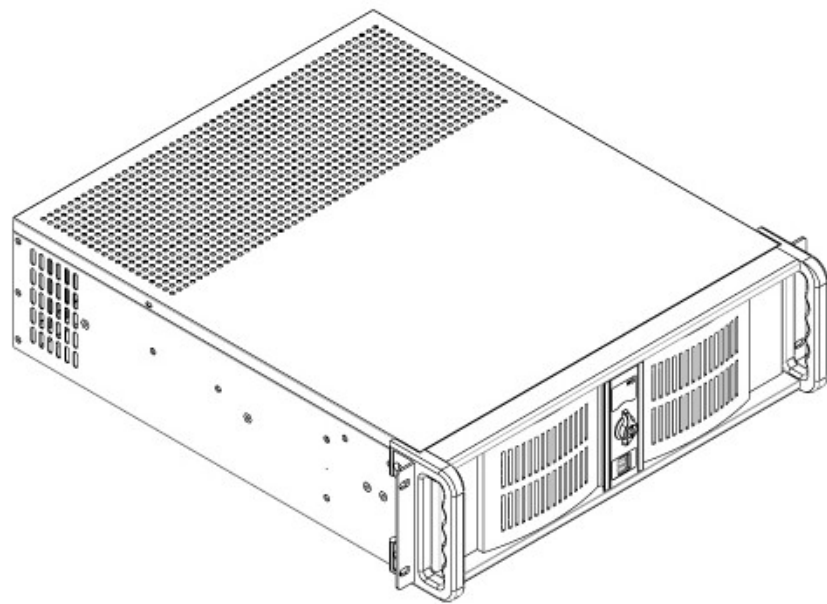




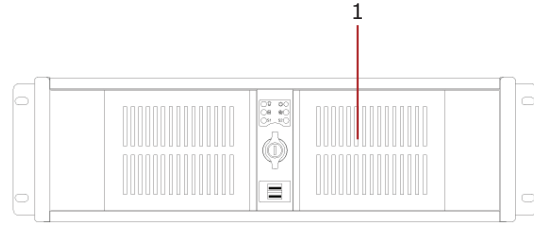
Product Quick Guide



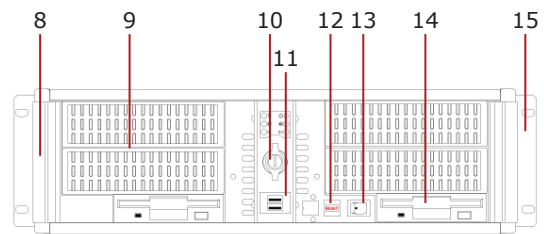
Model Number: D-300
3U Rackmount Chassis

Hardware Guide

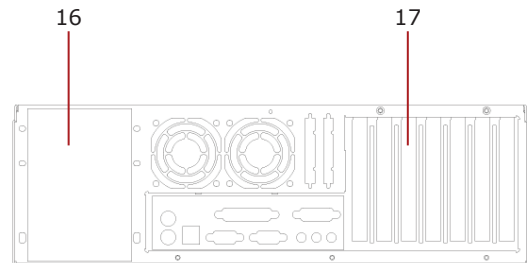
1. Aluminum Bezel
(3 color options: Red, Blue, Silver)
2. Power LED
3. Alarm reset (TC-ISF08 required)
4. HDD LED
5. Temp Sensor 1 LED (TC-ISF08 required)
6. Fan LED (TC-ISF08 required)
7. Temp Sensor 2 LED (TC-ISF08 required)
8. Handle
9. 5.25" Bay x4
10. Key lock
11. USB 2.0 x2
12. Reset button
13. Power button
14. 3.5" Bay x2
15. Ear Mount
16. For 2U/3U Power Supply
17. Expansion slot x7
18. 60mm fan x1
19. Cross bar/ Fan bar
20. For ATX, micro-ATX MB
21. For optional sensor board TC-ISF08
22. Removable Air Filter



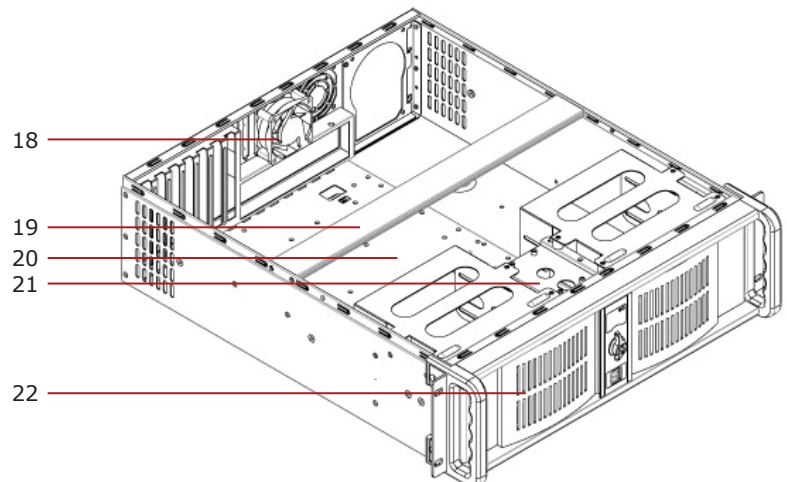
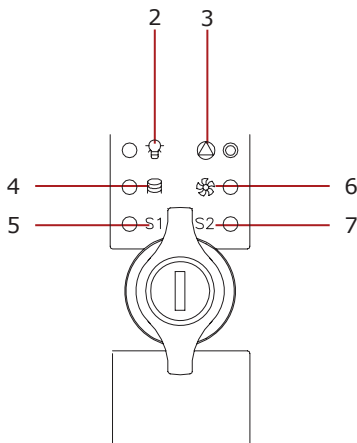
Front View



Front Open View



Rear View



Top View

Package Contents

1. Cable tie
2. Expansion slots cover
3. Screws kit x1



Optional Items



T5PF-SA

1 x 5.25" Bay Trayless
Anti-vibration SATA Mobile
Rack



BPU-2535V2

1 x 3.5" to 2 x 2.5" SATA I/
II Hot-Swap Drive Cage



RP-HUB-SAU3F

3.5" Combo Hub for
USB2.0/ Firewire/ e-SATA



BPU-124V2-SS

1 x 5.25" to 4 x 2.5" SATA/
SAS 6.0 Gb/s Hot-Swap
Cage



T-7M1-SATA

1x5.25" Bay Audio SATA/
SAS 6.0 Gb/s Mobile Rack



T5F-SS

1x5.25" Bay Trayless Anti-
vibration SAS/SATA Mobile
Rack



T-7-SA

1x5.25" Bay Military Series
SAS/SATA 6.0Gb/s Mobile
Rack



TC-RAIL-26

26" Sliding Rail Kit for Most
Rackmount Chassis