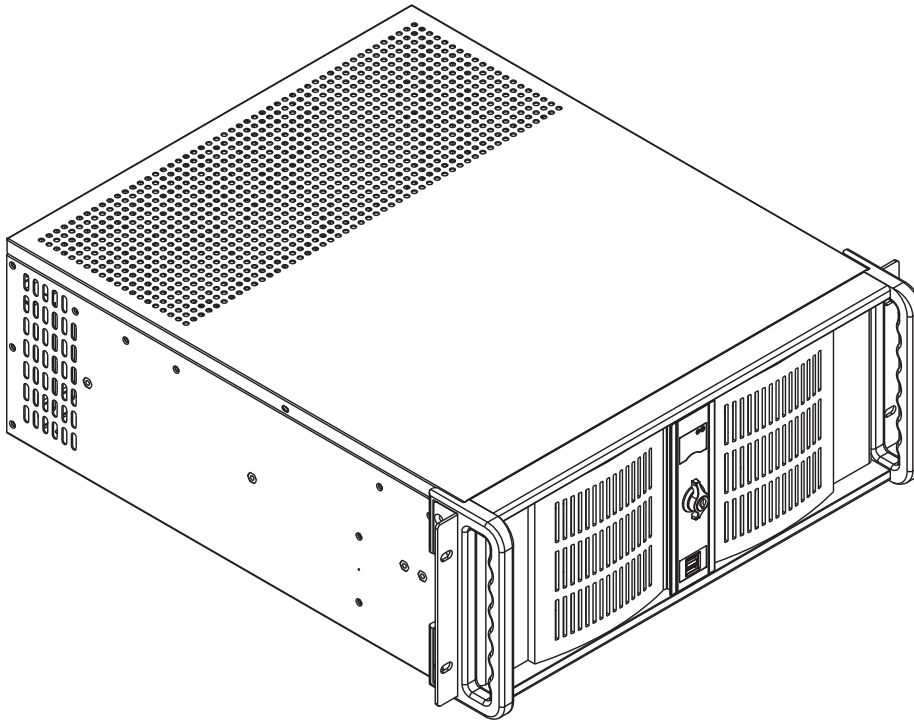




Product Quick Guide

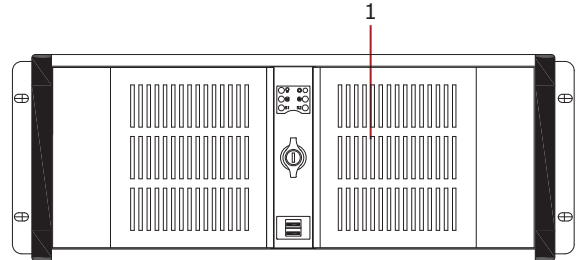


Model Number: **D-400-5**

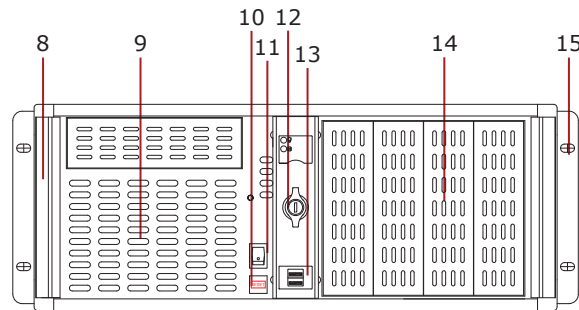
4U Rackmount Chassis

Hardware Guide

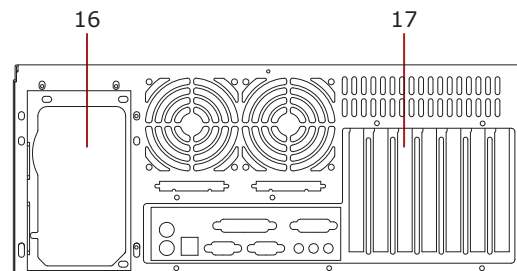
1. Aluminum Bezel
2. Power LED
3. Alarm reset
4. HDD LED
5. Temp Sensor 1 LED (TC-ISF08 require)
6. Fan LED (TC-ISF08 require)
7. Temp Sensor 2 LED (TC-ISF08 require)
8. Handle
9. 1x 120mm Fan
10. Reset button
11. Power button
12. Key lock
13. USB 2.0
14. 5.25" Drive Bay x5
15. Ear Mount
16. For 4U Power Supply
17. Expansion slot
18. 1x 80mm Fan
19. Cross bar/ Fan bar
20. For ATX, micro-ATX MB
21. For Optional Sensor Board TC-ISF08
22. Removable Air Filter



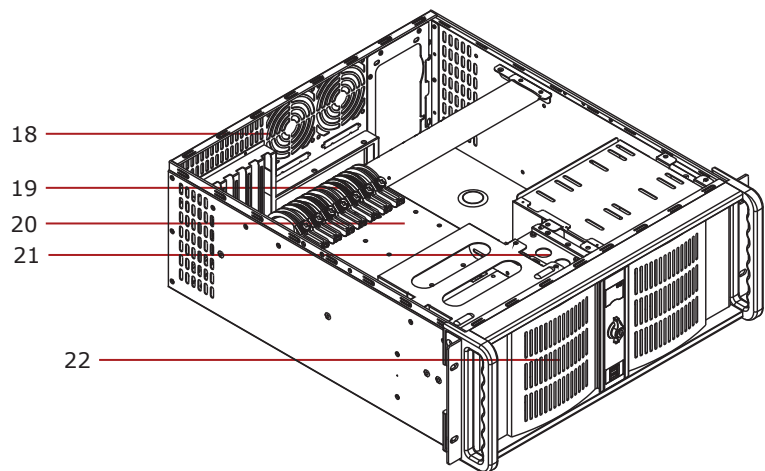
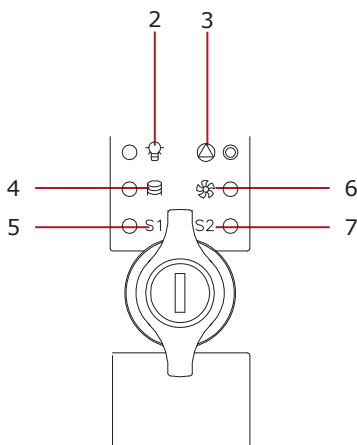
Front View



Front Open View



Rear View



Top View

Package Contents

1. Expansion slots cover
2. Cable tie
3. Screws kit x 2
4. Key
5. Cable holder
6. Power supply bracket



Optional/ Related Items



T5PF-SA

1 x 5.25" Bay Trayless
Anti-vibration SATA Mobile
Rack



BPU-2535V2

1 x 3.5" to 2 x 2.5" SATA I/
II Hot-Swap Drive Cage



RP-HUB-SAUUF

3.5" Combo Hub for
USB2.0/ Firewire/ e-SATA



BPU-124V2-SS

1 x 5.25" to 4 x 2.5" SATA/
SAS 6.0 Gb/s Hot-Swap
Cage



T-7M1-SATA

1x5.25" Bay Audio SATA/
SAS 6.0 Gb/s Mobile Rack



T5F-SS

1x5.25" Bay Trayless Anti-
vibration SAS/SATA Mobile
Rack



T-7-SA

1x5.25" Bay Military Series
SAS/SATA 6.0Gb/s Mobile
Rack



TC-RAIL-26

26" Sliding Rail Kit for Most
Rackmount Chassis