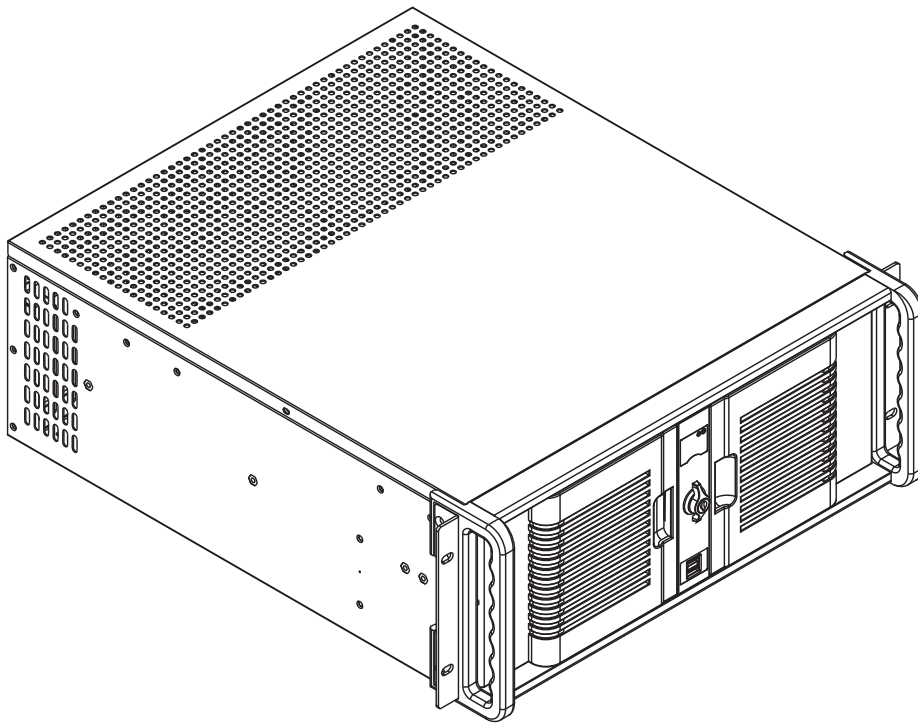




# Product Quick Guide

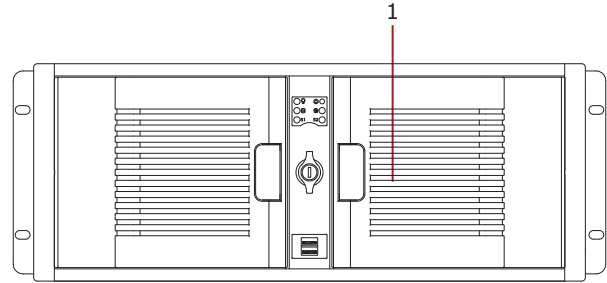


Model Number: **D-400-7P**

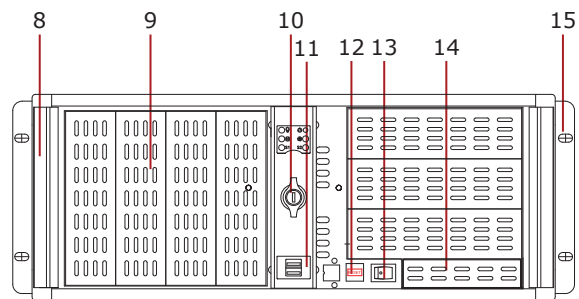
4U Rackmount Chassis

# Hardware Guide

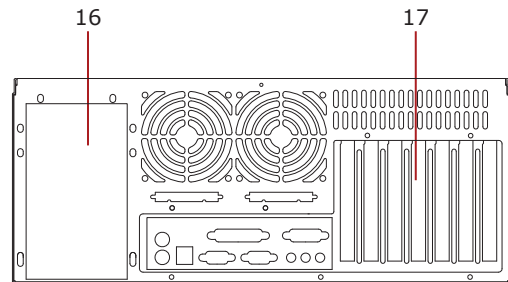
1. Plastic Bezel
2. Power LED
3. Alarm reset
4. HDD LED
5. Temp Sensor 1 LED (TC-ISF08 require)
6. Fan LED (TC-ISF08 require)
7. Temp Sensor 2 LED (TC-ISF08 require)
8. Handle
9. 5.25" Bay X7
10. Key lock
11. USB 2.0
12. Reset button
13. Power button
14. 3.5" Bay X1
15. Ear Mount
16. For 4U Power Supply
17. Expansion slot
18. 1x 80mm Fan
19. Cross bar/ Fan bar
20. For ATX, micro-ATX MB
21. For Optional Sensor Board TC-ISF08
22. Removable Air Filter



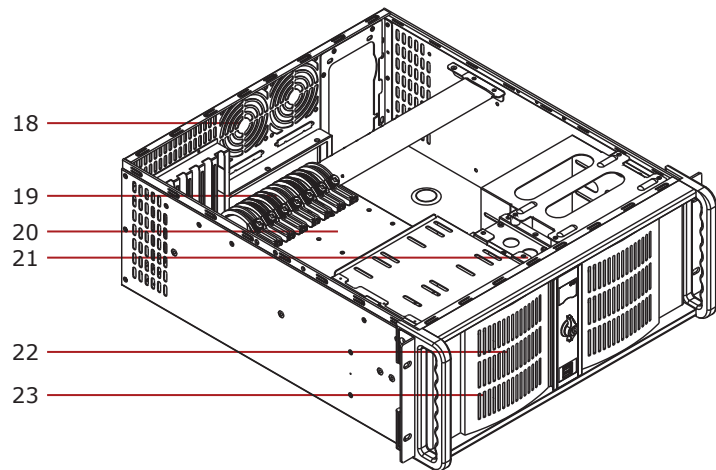
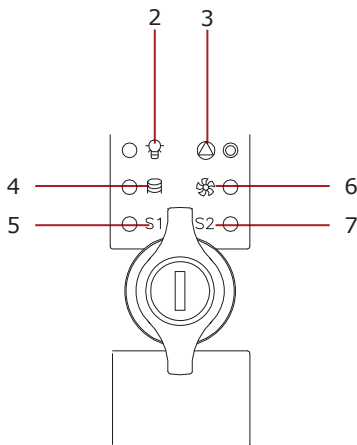
Front View



Front Open View



Rear View



Top View

# Package Contents

1. Expansion slots cover
2. Cable tie
3. Screws kit x 2
4. Key



## Optional/ Related Items



T5PF-SA

1 x 5.25" Bay Trayless  
Anti-vibration SATA Mobile  
Rack



BPU-2535V2

1 x 3.5" to 2 x 2.5" SATA I/  
II Hot-Swap Drive Cage



RP-HUB-SAUf

3.5" Combo Hub for  
USB2.0/ Firewire/ e-SATA



BPU-124V2-SS

1 x 5.25" to 4 x 2.5" SATA/  
SAS 6.0 Gb/s Hot-Swap  
Cage



T-7M1-SATA

1x5.25" Bay Audio SATA/  
SAS 6.0 Gb/s Mobile Rack



T5F-SS

1x5.25" Bay Trayless Anti-  
vibration SAS/SATA Mobile  
Rack



T-7-SA

1x5.25" Bay Military Series  
SAS/SATA 6.0Gb/s Mobile  
Rack



TC-RAIL-26

26" Sliding Rail Kit for Most  
Rackmount Chassis