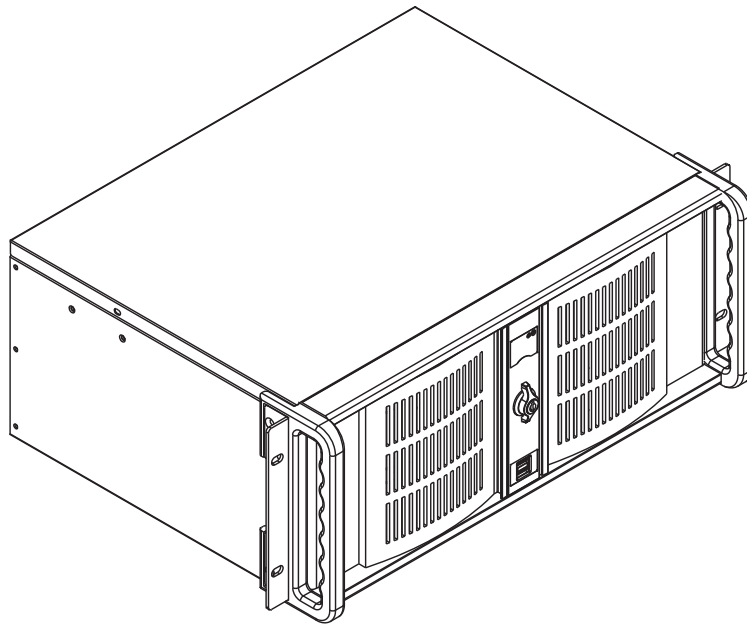




# Product Quick Guide

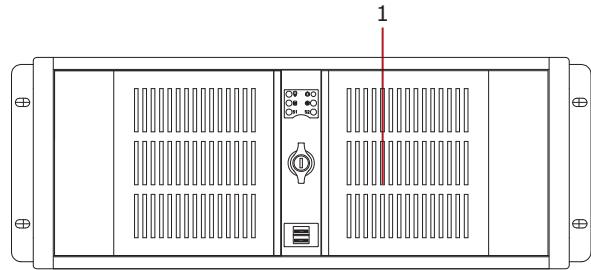


Model Number: **D-400S3**

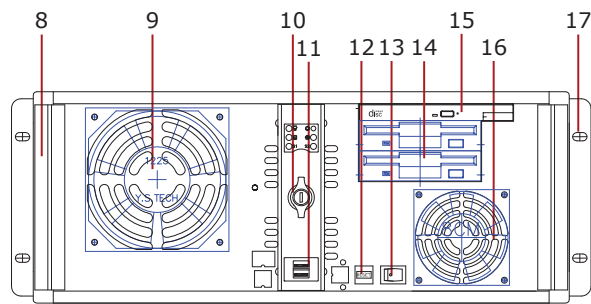
4U Rackmount Chassis

# Hardware Guide

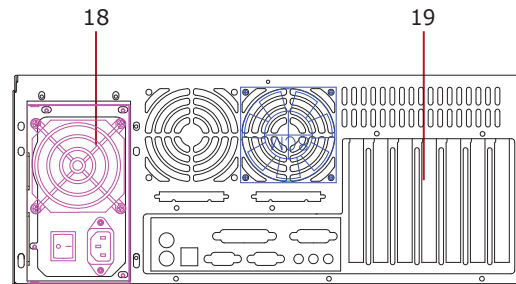
1. Aluminum Bezel  
(3 color Options: Red, Blue, Silver)
2. Power LED
3. Alarm reset
4. HDD LED
5. Temp Sensor 1 LED (TC-ISF08 require)
6. Fan LED (TC-ISF08 require)
7. Temp Sensor 2 LED (TC-ISF08 require)
8. Handle
9. 1x 120mm Fan
10. Key lock
11. USB 2.0
12. Reset button
13. Power button
14. 3.5" Bay X2
15. Slim 5.25" Optical Bay X1
16. 1x 80mm Fan
17. Ear Mount
18. For 4U Power Supply
19. Expansion slot
20. 1x 80mm Fan
21. Cross bar/ Fan bar
22. For ATX, micro-ATX MB
23. For Optional Sensor Board TC-ISF08
24. Removable Air Filter



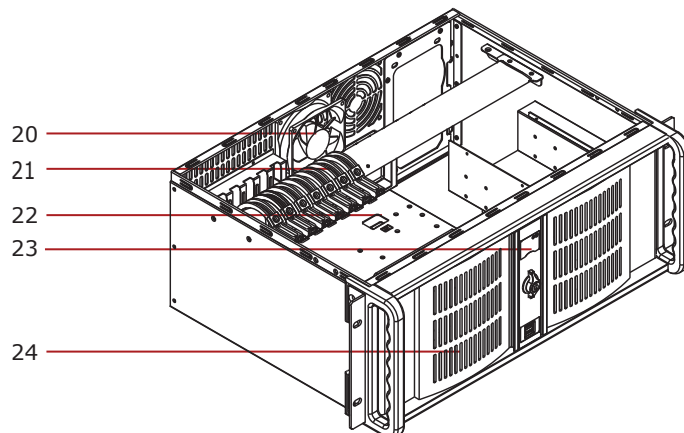
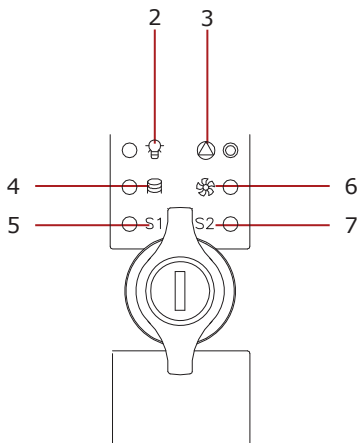
Front View



Front Open View



Rear View



Top View

# Package Contents

1. Expansion slots cover
2. Cable tie
3. Screws kit x 3
4. Key
5. Cable holder
6. Power supply bracket x 3



## Optional/ Related Items



T5PF-SA

1 x 5.25" Bay Trayless  
Anti-vibration SATA Mobile  
Rack



BPU-2535V2

1 x 3.5" to 2 x 2.5" SATA I/  
II Hot-Swap Drive Cage



RP-HUB-SAUFB

3.5" Combo Hub for  
USB2.0/ Firewire/ e-SATA



BPU-124V2-SS

1 x 5.25" to 4 x 2.5" SATA/  
SAS 6.0 Gb/s Hot-Swap  
Cage



T-7M1-SATA

1x5.25" Bay Audio SATA/  
SAS 6.0 Gb/s Mobile Rack



T5F-SS

1x5.25" Bay Trayless Anti-  
vibration SAS/SATA Mobile  
Rack



T-7-SA

1x5.25" Bay Military Series  
SAS/SATA 6.0Gb/s Mobile  
Rack



TC-RAIL-26

26" Sliding Rail Kit for Most  
Rackmount Chassis