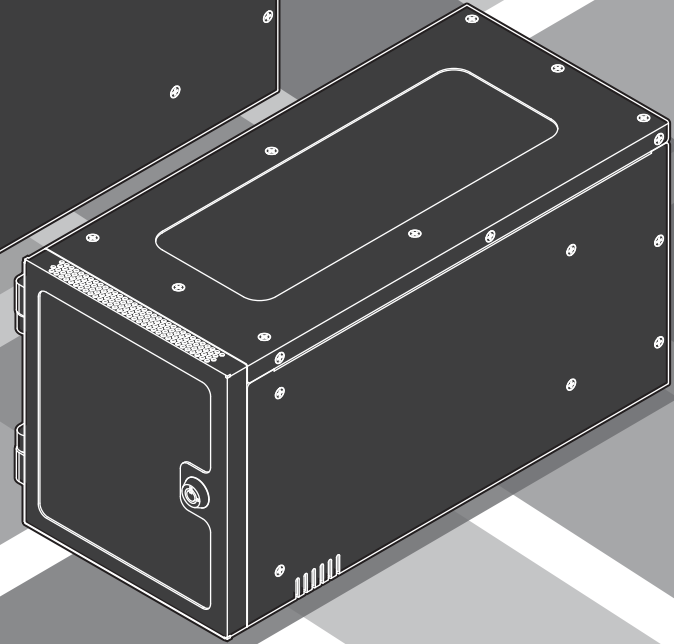
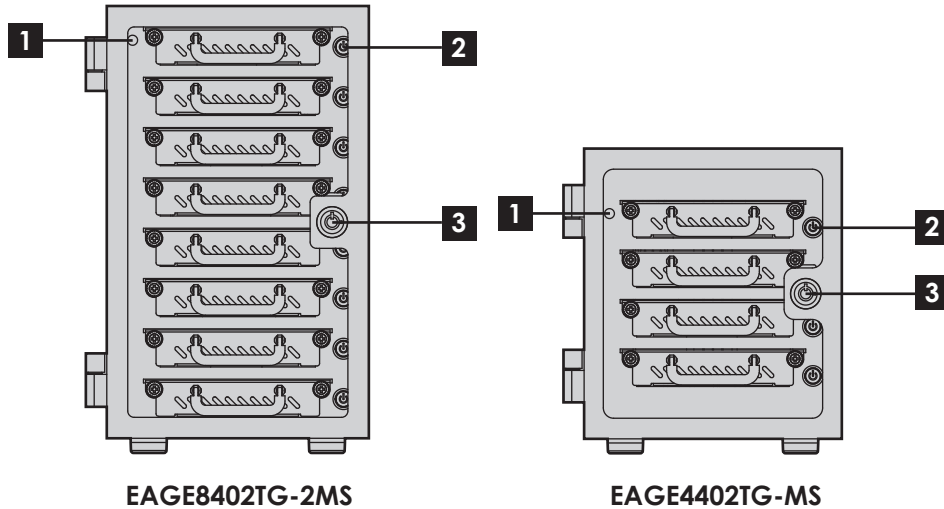


EAGE8402TG-2MS



EAGE4402TG-MS

A Product Overview - Front



EAGE8402TG-2MS

EAGE4402TG-MS

- 1** POWER LED
- 2** HDD ON/OFF SWITCH & LED
- 3** KEY LOCK

LED Behavior

POWER LED

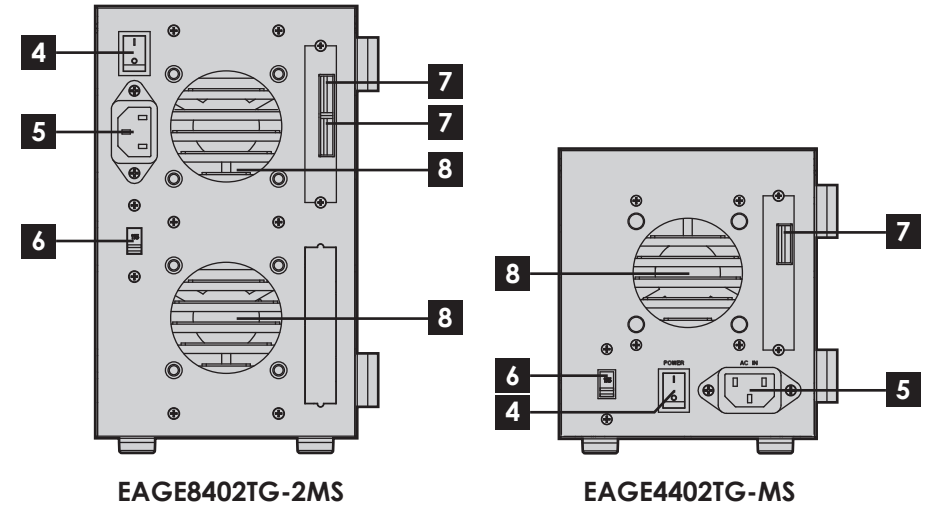
Color	Status
Solid Green	System Power ON
Off	System Power OFF

HDD LED

Color	Status
Solid Blue	HDD Power ON
Blinking Blue	Drives Working (Read/Write)
Off	HDD Power OFF

*please note: some of SSDs (Solid-State Drive) do not support access (read/write) signal.

B Product Overview - Rear



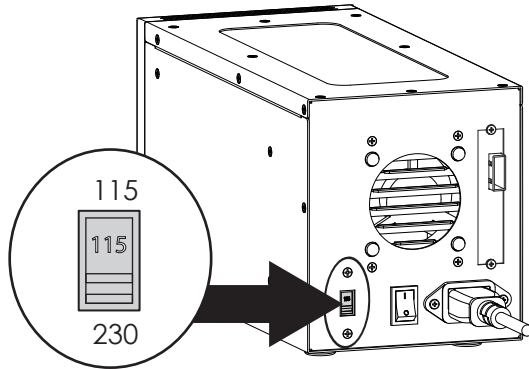
EAGE8402TG-2MS

EAGE4402TG-MS

- 4** POWER SWITCH
- 5** AC INLET
- 6** 110V/220V SWITCH
- 7** MINISAS SFF8088 CONNECTOR
- 8** 60mm FAN

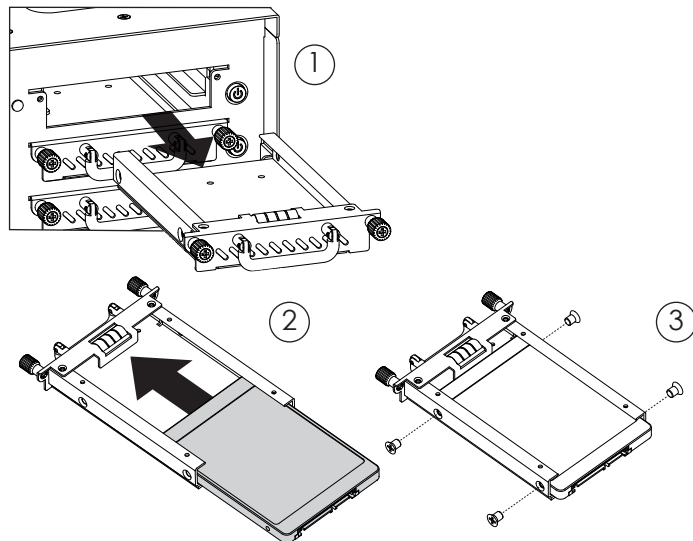
C Switching Power Supply Voltage

***CAUTION:**
Ensure the power supply voltage selector switch is correctly set for your region before use
Wrong voltage setting will cause damages on devices



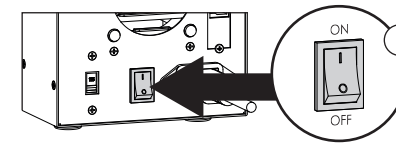
1. Switch to right voltage setting before turning on power switch

D Installing 2.5" Hard Drive

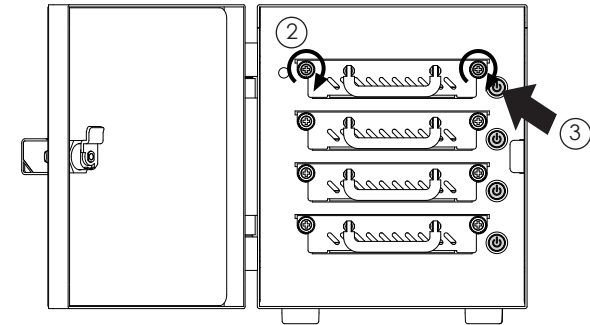


1. Pull HDD tray out
2. Install 2.5 HDD onto tray
3. use four M3 screws to secure 2.5" HDD to tray

E Powering ON/OFF System



1. Make sure power switch in the back of chassis is in ON position

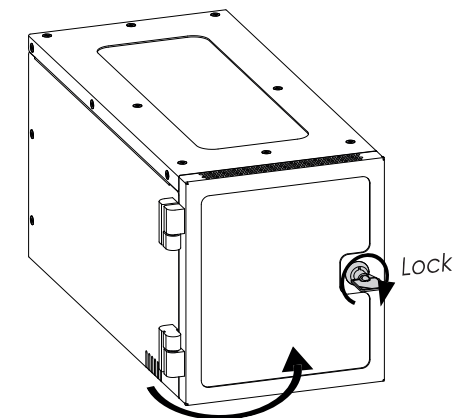


2. Tighten two hand screws to secure HDD tray
3. Push individual power buttons to power on each hard drive
4. Push power buttons again to power off hard drives

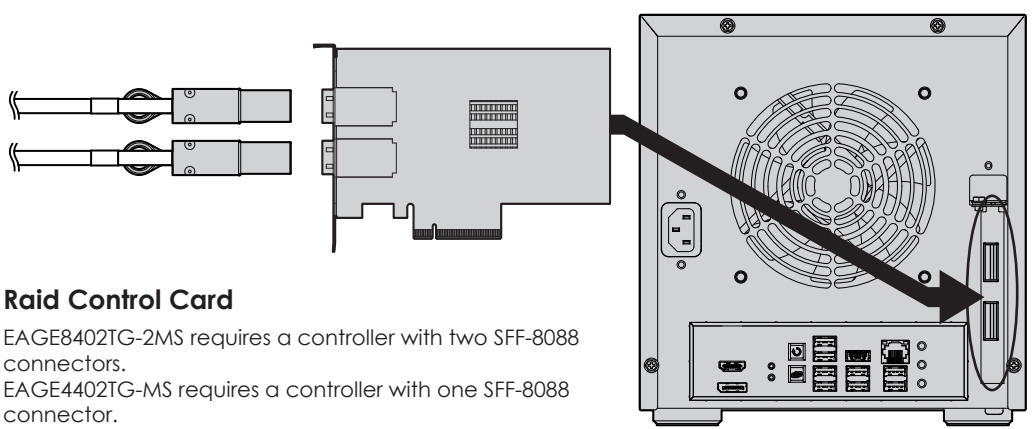
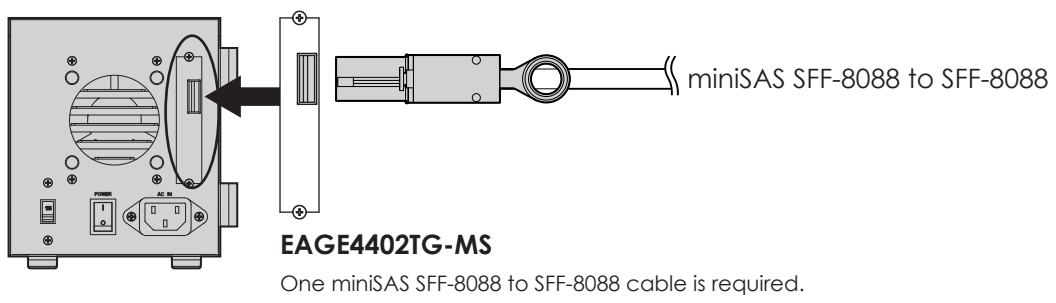
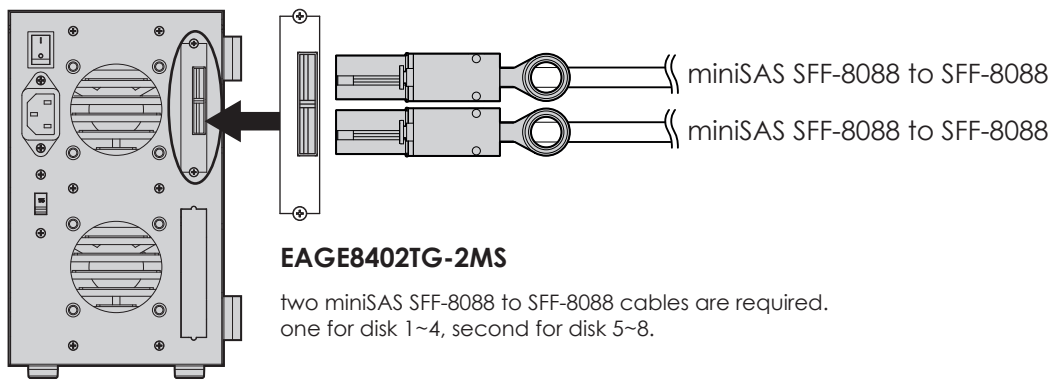
***CAUTION:**
To prevent drive failures or data loss,
unmount the device in OS before powering off hard disk bay

F Locking and Unlocking Door

1. Turn the key clockwise to lock the door
2. Turn the key counterclockwise to unlock the door



G Connect to Your Computer



*please make sure all the cable connectors are secured (locked) properly.

H iStarUSAcare

We will help you navigate our website to find the information that you need. Go to www.istarusa.com , and click on live chat bubble above the Search Bar.

Our technicians are standing by to take your questions. Visit <http://istarusa.com/support/> , and you will receive a technical support ticket to help track your requests from the beginning to the end. Or you can contact us @888-989-1189

Copyright:
Copyright © 2014 by iStarUSA Global, all rights reserved. No part of this publication may be reproduced, transmitted, transcribed, stored in a retrieval system, translated into any language, in any form or by any means or otherwise, without the prior written permission of iStarUSA Global. 727 Phillips Dr., City of Industry, CA 91748. iStarUSA Global reserves the right to make modification and additions to this product and manual without notice or taking any liability.

Disclaimer:
iStarUSA Global assumes no liability for errors or omissions in this document. Nor does iStarUSA Global make any commitment to update the information contained herein. Pictures in this document are for demonstration purpose only and may not be the same as the actual product.