

IS-350R2UP

350W 2U Redundant Power Supply



Features

- Universal Input, Active PFC
- Efficiency: 74% at Full Load
- Industrial Japanese Components 40 deg.C temperature
- Automatic Fan Thermal Control
- Backward Compatibility, -5V Available
- Industrial DIN-Connector for Reliability
- Remote Sensor on +5V & +3.3V
- Power Failure Alarm & Signals
- OPP (Over Power Protection)
- OVP (Over Voltage Protection)
- OCP (Over Current Protection)
- SCP (Short Circuit Protection)
- MTBF > 100,000 Hours

Specifications

Model Number	Efficiency
IS-350R2UP	74%
RoHS Compliance	Connector Type
YES	Main Connector :: 24 pin/ 4pin 12V :: 1/ 8pin EPS 12V :: 1/ Molex :: 6 SATA :: 2/ Floppy :: 1
Output Wattage	Dimensions (WxHxD)
350	Width 3.98" (101.1 mm) Height 3.31" (84.1 mm) Depth 11.42" (290.1 mm)

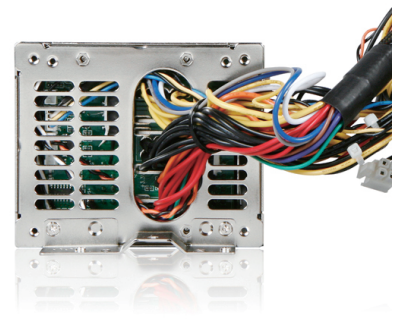
Front View



Side View

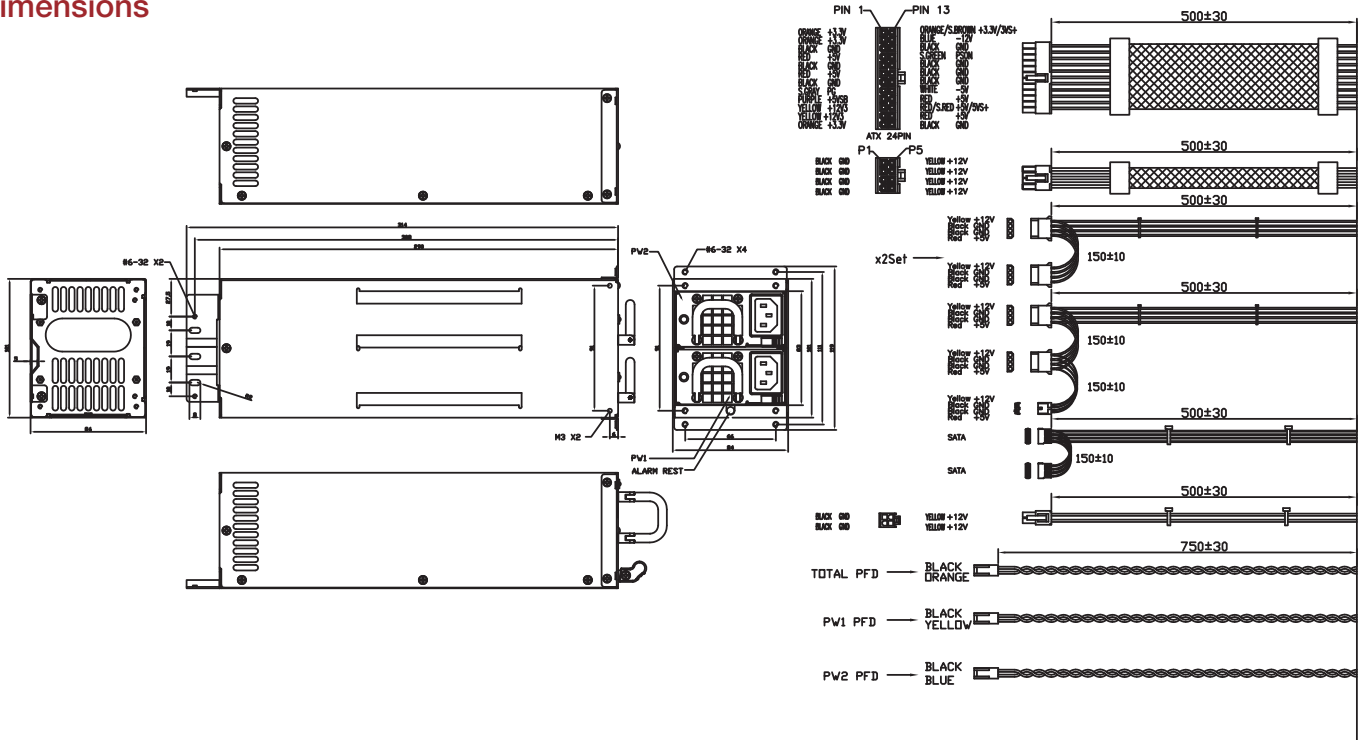


Rear View



We at iStarUSA Group offer OEM/ODM services for Industrial Power, Custom Power, Chassis, Cabinets, and Data Storage. Through our skilled metal bending, milling, and silk screening we can provide you with unique customizations that will make your product stand out from the rest. With iStarUSA Group's OEM/ODM Solutions you can be sure to receive one-of-a-kind products for your one-of-a-kind business.

Dimensions



Compatible Chassis

* Please visit our website www.istarusa.com/en/xeal for a full list of compatible chassis

Optional Accessories

Accessory	Description
IS-350R	350W 2U Redundant Power Supply Module for IS-350R2UP/ IS-700R3KP/ IS-700R3NP

Output Rating

Output Voltage	+5V	+3.3V	+12V	-5V	-12V	+5VSB
Max. Load	25A	20A	24A	0.5A	1A	2A
Min. Load	1A	1A	2A	0A	0A	0.1A
Max. Combined	180W					
Total Output	325W			2.5W	12W	10W