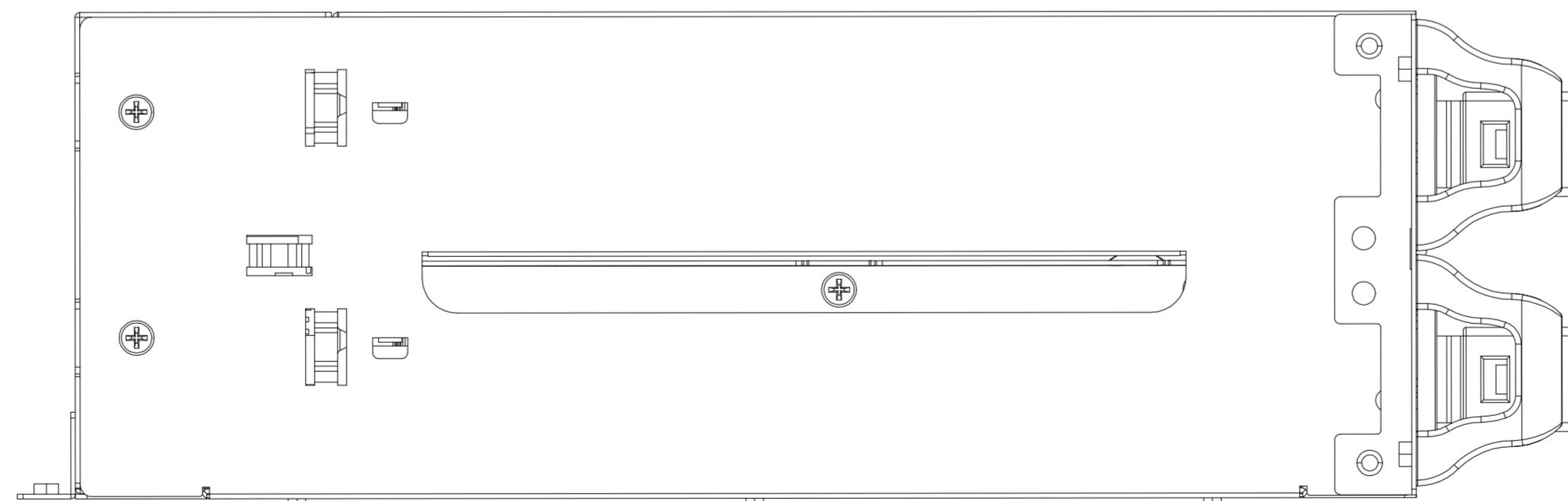
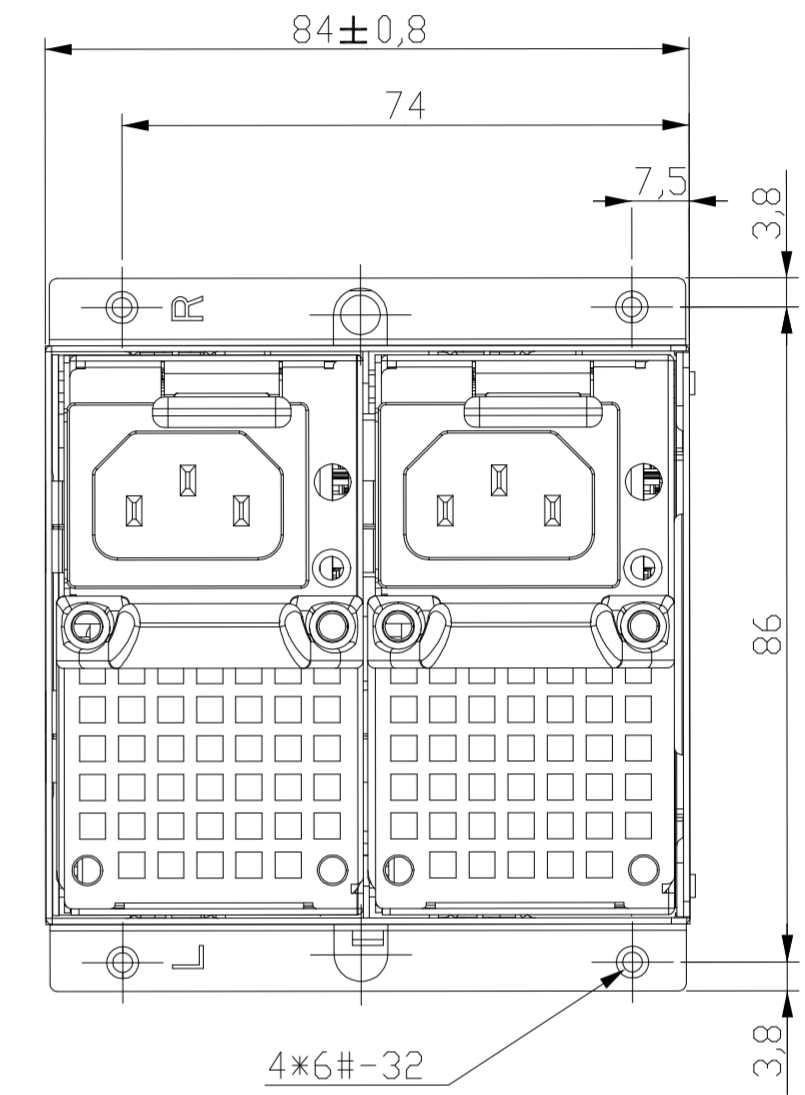
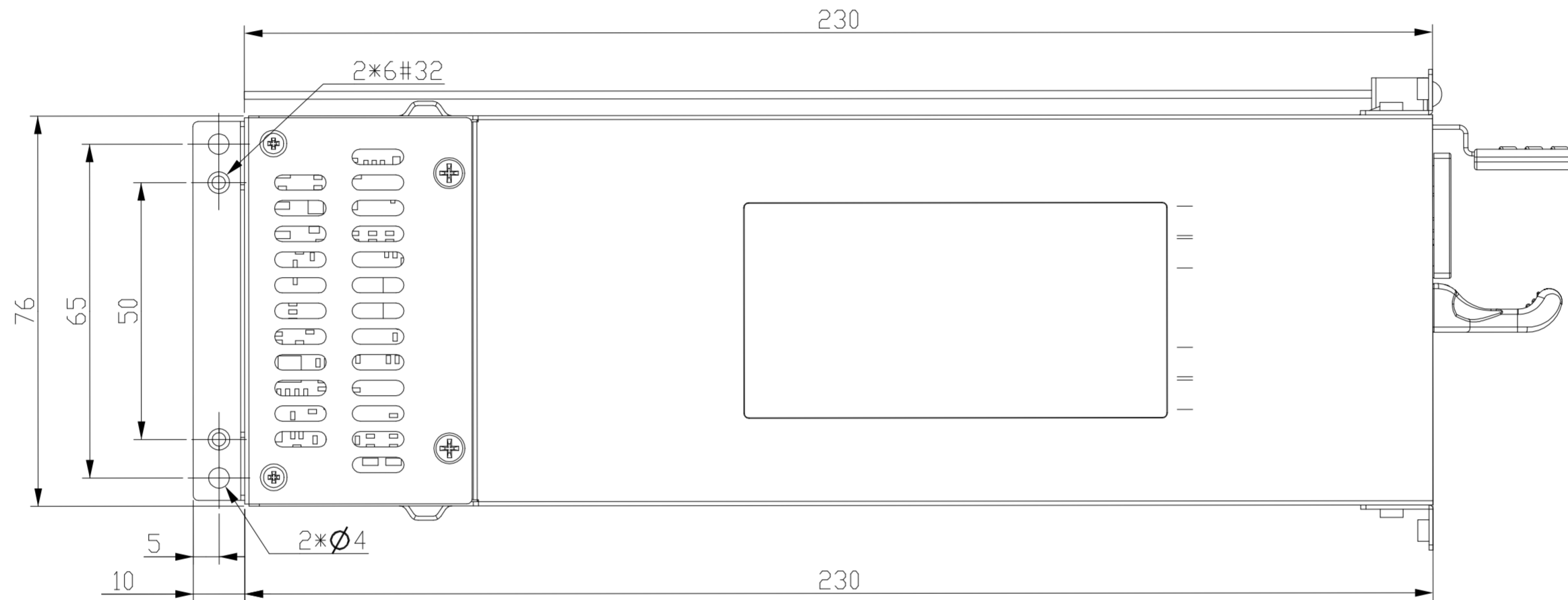
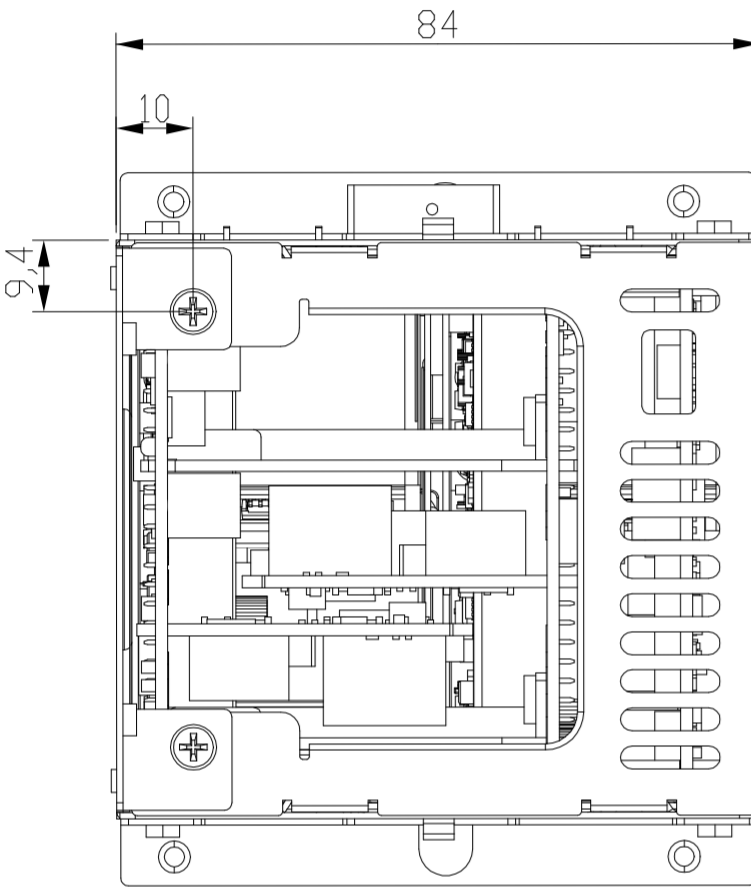
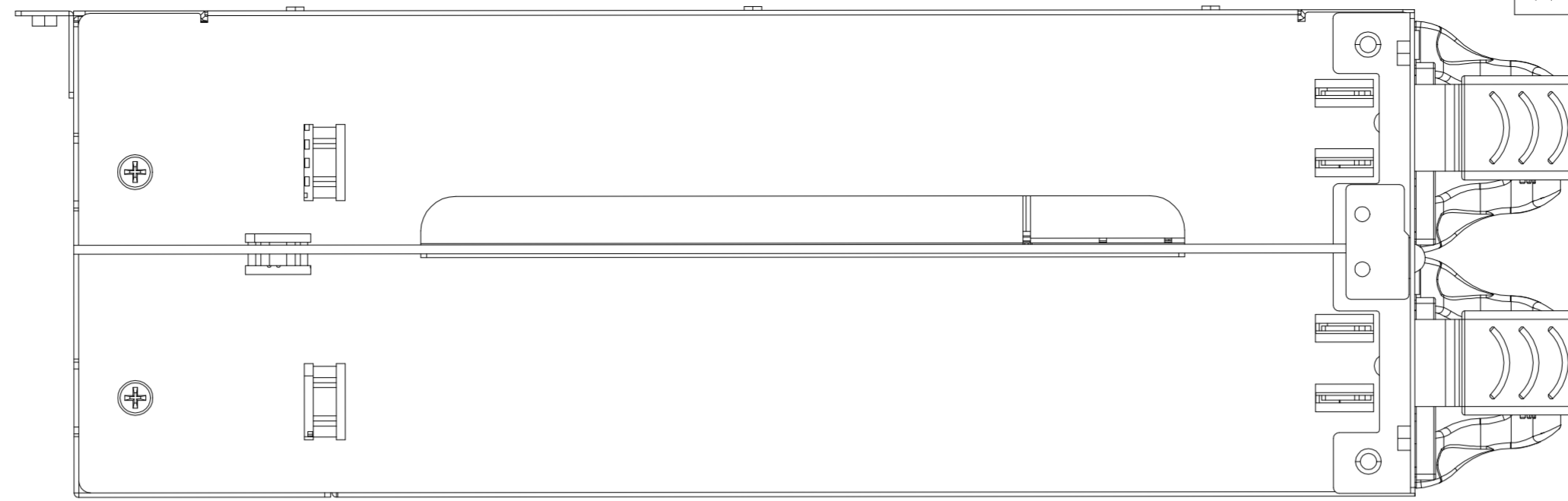




REV	DESCRIPTION	LOCATION	SIGN	DATE
A				2021.12.08



DIM	DEG				ANGLE		A2	UNIT	SCALE	SHEET	MODEL No.	IS-550R2UPD8UC		
	A	B	C	D	0°-30°	± 0.1°	APPROVED	CHECKED	DESIGNED	PART NAME	6 VIEW		REV	A
0-5	± 0.02	± 0.05	± 0.10		31°-60°	± 0.3°	□wen	□wen	Ben	PART No.				
5-10	± 0.05	± 0.10	± 0.15		61°-90°	± 0.5°	2021.12.08	2021.12.08	2021.12.08					
10-50	± 0.10	± 0.15	± 0.20											
50-100	± 0.15	± 0.20	± 0.25											
100-	± 0.20	± 0.25	± 0.30											



ORANGE	+3.3V	16AWG	PIN 1	ORANGE/S BROWN	+3.3V/3VS+	16/22AWG
ORANGE	+3.3V	18AWG	PIN 4	BLUE	-12V	18AWG
BLACK	GND	18AWG	PIN 13	BLACK	GND	18AWG
RED	+5V	18AWG		S.GREEN	PSON	22AWG
BLACK	GND	18AWG		BLACK	GND	18AWG
RED	+5V	18AWG		BLACK	GND	18AWG
BLACK	GND	18AWG		BLACK	GND	18AWG
S.GRAY	PG	22AWG		N/C	---	---
PURPLE	+5VSB	18AWG		RED	+5V	18AWG
YELLOW	+12V	18AWG		RED/S RED	+5V/5VS+	18/22AWG
YELLOW	+12V/12VS+	18AWG		RED	+5V	18AWG
ORANGE	+3.3V	16AWG		BLACK	GND	18AWG

BLACK	GND	18AWG	PIN 1	YELLOW	+12V	18AWG
BLACK	GND	18AWG	PIN 5	YELLOW	+12V	18AWG
BLACK	GND	18AWG		YELLOW	+12V	18AWG
BLACK	GND	18AWG		YELLOW	+12V	18AWG

BLACK	GND1/GND	18/22AWG	PIN 1	YELLOW	+12V	18AWG
BLACK	GND	18AWG	PIN 5	YELLOW	+12V	18AWG
BLACK	GND	18AWG		YELLOW	+12V	18AWG
BLACK	GND	18AWG		YELLOW	+12V	18AWG

YELLOW	+12V	18AWG	PIN 1	BLACK	GND	18AWG
YELLOW	+12V	18AWG	PIN 5	BLACK	GND	18AWG
YELLOW	+12V	18AWG		BLACK	GND	18AWG
BLACK	GND	18AWG		BLACK	GND	18AWG

YELLOW	+12V	18AWG	PIN 1	BLACK	GND	18AWG
YELLOW	+12V	18AWG	PIN 5	BLACK	GND	18AWG
YELLOW	+12V	18AWG		BLACK	GND	18AWG
BLACK	GND	18AWG		BLACK	GND	18AWG

Yellow	+12V	18AWG	PIN 1			
Black	GND	18AWG				
Black	GND	18AWG				
Red	+5V	18AWG				

Yellow	+12V	18AWG	PIN 1			
Black	GND	18AWG				
Black	GND	18AWG				
Red	+5V	18AWG				

YELLOW	+12V	18AWG	PIN 1			
BLACK	GND	18AWG				
BLACK	GND	18AWG				
RED	+5V	18AWG				

YELLOW	+12V	18AWG	PIN 1			
BLACK	GND	18AWG				
BLACK	GND	18AWG				
RED	+5V	18AWG				

YELLOW	+12V	22AWG	PIN 1			
BLACK	GND	22AWG				
BLACK	GND	22AWG				
RED	+5V	22AWG				

YELLOW	+12V	18AWG	Pin 1			
BLACK	GND	18AWG				
RED	+5V	18AWG				
BLACK	GND	18AWG				
ORANGE	+3.3V	18AWG				

YELLOW	+12V	18AWG	Pin 1			
BLACK	GND	18AWG				
RED	+5V	18AWG				
BLACK	GND	18AWG				
ORANGE	+3.3V	18AWG				

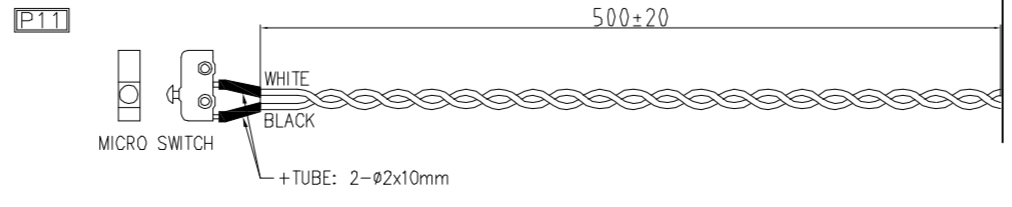
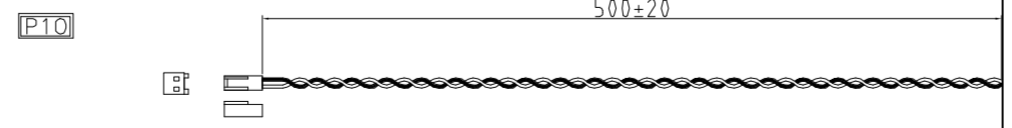
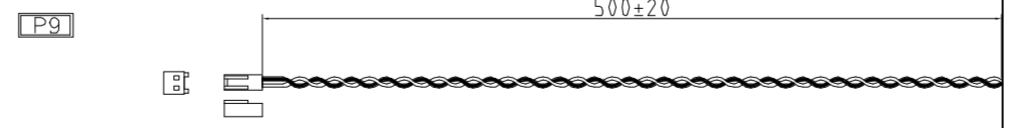
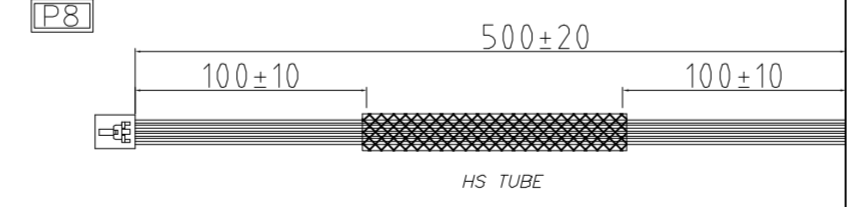
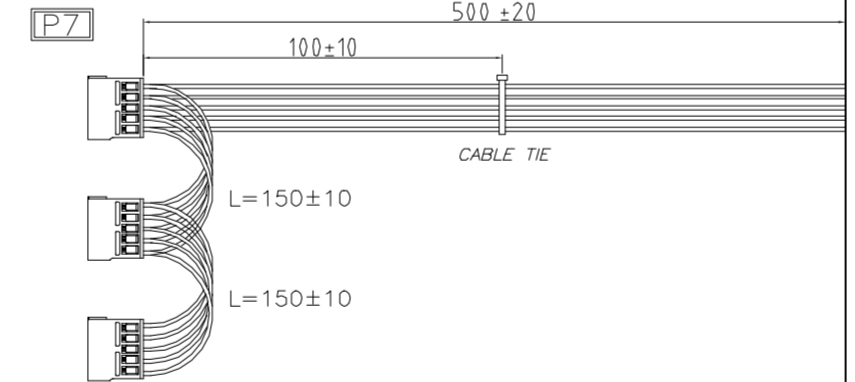
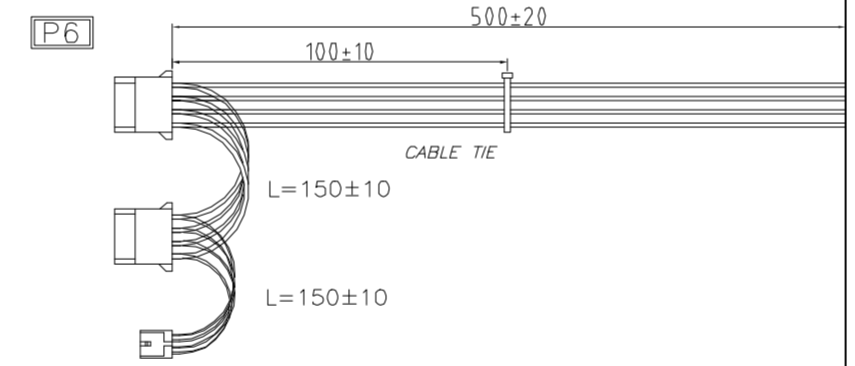
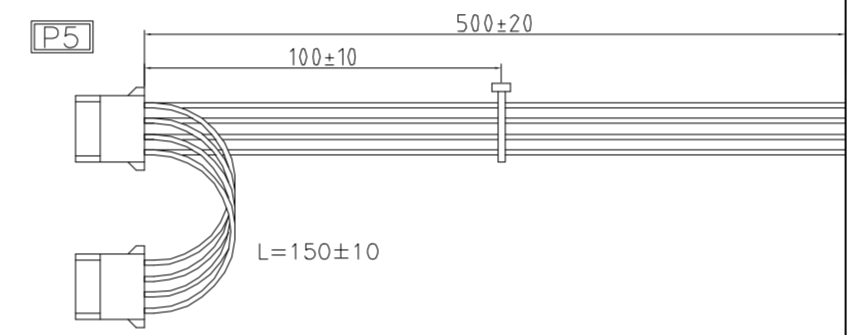
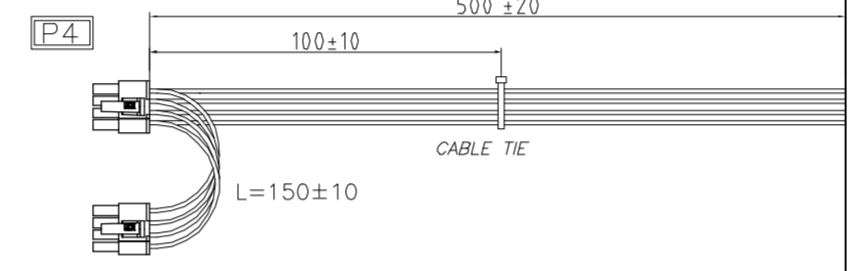
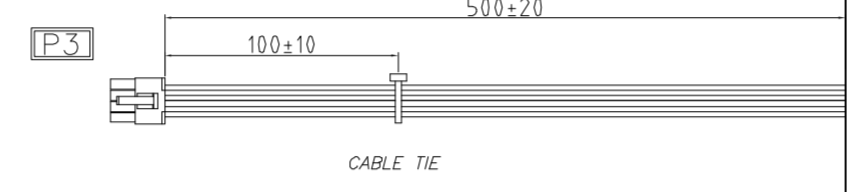
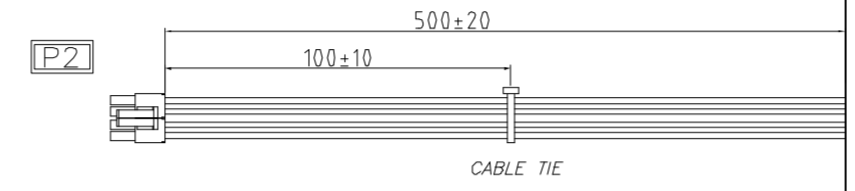
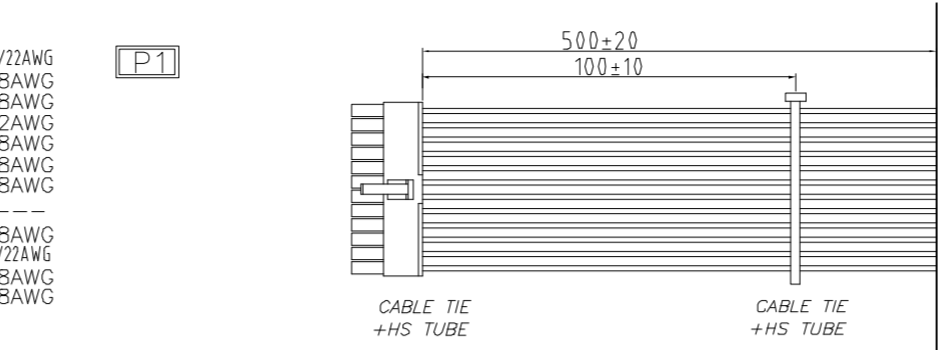
YELLOW	+12V	18AWG	Pin 1			
BLACK	GND	18AWG				
RED	+5V	18AWG				
BLACK	GND	18AWG				
ORANGE	+3.3V	18AWG				

GREEN	SCL	24AWG	PIN 1			
GRAY	SDA	24AWG				
RED	SMBAlert	24AWG				
BLACK	GND	24AWG				
ORANGE	3.3VCC	24AWG				

TTL Signal	BLACK	GND	26AWG
	ORANGE	TTL	26AWG

TTL Signal	GREEN	TTL1	24AWG
	GRAY	TTL2	24AWG

BLACK	26AWG
WHITE	26AWG



REV	DESCRIPTION	LOCATION	SIGN	DATE
A	RELEASE		Ben	2019.09.27

A2	UNIT	SCALE	SHEET	MODEL No.	IS-550R2UPD8UC
	MM	1,000	1 of 1	PART NAME	CABLE DEFINE
APPROVED	CHECKED	DESIGNED	PART No.	REV	A
Ben	Ben	Ben			
2020.03.13	2020.03.13	2020.03.13			