

6Pins (PCIe)
Connector HOUSING: MOLEX 39-01-0280 or equivalent (Black)
TERMINAL: MOLEX 39-00-0080 or equivalent

Housing	Pin No.	WIRE COLOR	SIGNAL	WIRE TYPE	LENGTH
P6	1	YELLOW	+12V	18AWG	470mm ±20mm
	2	YELLOW	+12V	18AWG	
	3	YELLOW	+12V	18AWG	
	4	BLACK	COM	18AWG	
	5	BLACK	COM	18AWG	
	6	BLACK	COM	18AWG	

External Power System & Module Status LED (OD 5mm)

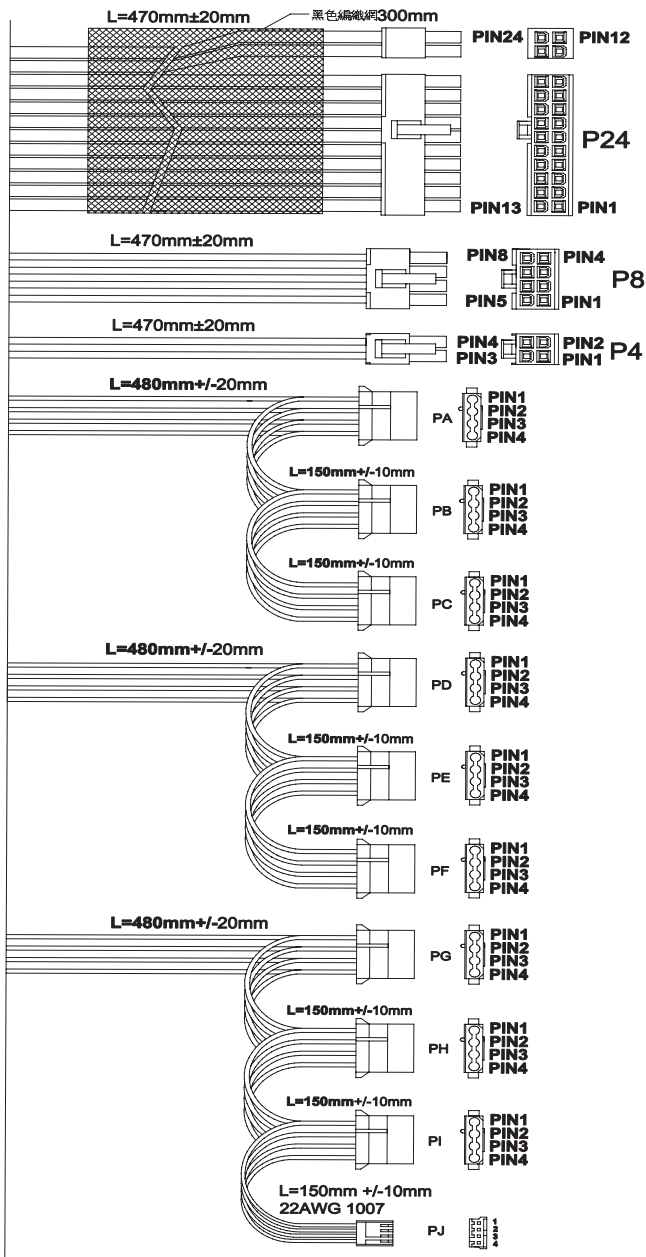
Name	WIRE COLOR	LED COLOR	WIRE TYPE	LENGTH
PW1 LED	BROWN / WHITE	ORANGE	24AWG	860mm ±20mm
PW2 LED	RED / WHITE	ORANGE	24AWG	
SYSTEM LED	GREEN / WHITE	RED / GREEN	24AWG	

TTL Signal
Connector HOUSING: Molex 22-01-3027 or equivalent

Pin No.	WIRE COLOR	SIGNAL	WIRE TYPE	LENGTH
1	BLACK	COM	24AWG	860mm ±20mm
2	RED	+5V	24AWG	

ALARM Reset Switch Connector

Pin No.	WIRE COLOR	SIGNAL	WIRE TYPE	LENGTH
1	GRAY	COM	24AWG	860mm ±20mm
2	GRAY	REST	24AWG	



24Pins (EP812V)
Connector HOUSING: MOLEX 39-01-2240 or equivalent (Black)
TERMINAL: MOLEX 39-00-0039 or equivalent

Housing	Pin No.	WIRE COLOR	LENGTH	Pin No.	WIRE COLOR	LENGTH
P24	1	ORANGE(+3.3V)	470mm/18AWG	13	ORANGE(+3.3V)	470mm/18AWG
	2	ORANGE(+3.3V)	470mm/18AWG	14	BLUE(-12V)	470mm/18AWG
	3	BLACK(GND)	470mm/18AWG	15	BLACK(GND)	470mm/18AWG
	4	RED(+5V)	470mm/18AWG	16	GREEN(P8-CN)	470mm/20AWG
	5	BLACK(GND)	470mm/18AWG	17	BLACK(GND)	470mm/18AWG
	6	RED(+5V)	470mm/18AWG	18	BLACK(GND)	470mm/18AWG
	7	BLACK(GND)	470mm/18AWG	19	BLACK(GND)	470mm/18AWG
	8	GRAY(PG)	470mm/20AWG	20	NC	
	9	PURPLE(+5VSB)	470mm/18AWG	21	RED(+5V)	470mm/18AWG
	10	YELLOW(+12V)	470mm/18AWG	22	RED(+5V)	470mm/18AWG
	11	YELLOW(+12V)	470mm/18AWG	23	RED(+5V)	470mm/18AWG
	12	ORANGE(+3.3V)	470mm/18AWG	24	BLACK(GND)	470mm/18AWG

8Pins (EP812V)
Connector HOUSING: MOLEX 39-01-0280 or equivalent (Black)
TERMINAL: MOLEX 39-00-0080 or equivalent

Housing	Pin No.	WIRE COLOR	SIGNAL	WIRE TYPE	LENGTH
P8	1	BLACK	COM	18AWG	470mm ±20mm
	2	BLACK	COM	18AWG	
	3	BLACK	COM	18AWG	
	4	BLACK	COM	18AWG	
	5	YELLOW	+12V	18AWG	
	6	YELLOW	+12V	18AWG	
	7	YELLOW	+12V	18AWG	
	8	YELLOW	+12V	18AWG	

4Pins (ATX12V, FOR P4)
Connector HOUSING: MOLEX 39-01-0280 or equivalent (Black)
TERMINAL: MOLEX 39-00-0080 or equivalent

Housing	Pin No.	WIRE COLOR	SIGNAL	WIRE TYPE	LENGTH
P4	1	BLACK	COM	18AWG	470mm ±20mm
	2	BLACK	COM	18AWG	
	3	YELLOW	+12V	18AWG	
	4	YELLOW	+12V	18AWG	

4Pins (HD/CD-ROM/RW)
Connector HOUSING: AMP 480424-0 or equivalent (Black)
TERMINAL: AMP 60619-4 or equivalent

4Pins (FLOPPY DISK)
Connector HOUSING: AMP 171822-4 or equivalent (Black)
TERMINAL: AMP 170262-2 or equivalent

Housing	Pin No.	WIRE COLOR	SIGNAL	WIRE SIZE	LENGTH	
PA	1	YELLOW	+12V	18AWG	480mm ±20mm	
	2	BLACK	COM	18AWG		
PD	1	BLACK	COM	18AWG		
	2	BLACK	COM	18AWG		
PG	1	RED	+5V	18AWG		
	2	YELLOW	+12V	18AWG		
PB	1	YELLOW	+12V	18AWG		150mm ±15mm
	2	BLACK	COM	18AWG		
PE	1	BLACK	COM	18AWG		
	2	BLACK	COM	18AWG		
PH	1	RED	+5V	18AWG	150mm ±15mm	
	2	YELLOW	+12V	18AWG		
PC	1	BLACK	COM	18AWG		
	2	BLACK	COM	18AWG		
PF	1	RED	+5V	18AWG	150mm ±15mm	
	2	BLACK	COM	22AWG		
PJ	1	YELLOW	+12V	22AWG		
	2	BLACK	COM	22AWG		

SATA HDD
HOUSING: MOLEX 675820000 or equivalent (Black)
TERMINAL: MOLEX 675810000 or equivalent

Housing	Pin No.	WIRE COLOR	SIGNAL	WIRE TYPE	LENGTH
PK	1	ORANGE	+3V3	18AWG	480mm ±20mm
	2	BLACK	COM	18AWG	
	3	RED	+5V	18AWG	
	4	BLACK	COM	18AWG	
	5	YELLOW	+12V	18AWG	
PL	1	ORANGE	+3V3	18AWG	150mm ±15mm
	2	BLACK	COM	18AWG	
	3	RED	+5V	18AWG	
	4	BLACK	COM	18AWG	
	5	YELLOW	+12V	18AWG	

容許公差: TOLERANCES: XX= ±.025 XX= ±.100 X= ±.250	材料規格: MATERIAL: 核准者: APPROVE BY	審核者: CHECK BY	繪圖者: DRAW BY	單位: UNITS mm	圖號: DRAW NO	版次: REV. NO A1	日期: DATE 2020-08-14	品名: MODEL NO IS-800R8PUC	料號: PART NO
投影法: PROJECTION: 第三角法									