



ORANGE	+3.3V	16AWG	PIN 1	ORANGE/S. BROWN	+3.3V/3V+	16/22AWG
ORANGE	+3.3V	16AWG		BLUE	-12V	18AWG
BLACK	GND	18AWG		BLACK	GND	18AWG
RED	+5V	18AWG		S. GREEN	PSON	22AWG
BLACK	GND	18AWG		BLACK	GND	18AWG
RED	+5V	18AWG		BLACK	GND	18AWG
BLACK	GND	18AWG		BLACK	GND	18AWG
S. GRAY	PG	22AWG		N/C	---	---
PURPLE	+5VSB	18AWG		RED	+5V	18AWG
YELLOW	+12V	18AWG		RED/RED	+5V/5V+	18/22AWG
YELLOW	+12V/12V+	18AWG		RED	+5V	18AWG
ORANGE	+3.3V	16AWG		BLACK	GND	18AWG

BLACK	GND	18AWG	PIN 1	YELLOW	+12V	18AWG
BLACK	GND	18AWG		YELLOW	+12V	18AWG
BLACK	GND	18AWG		YELLOW	+12V	18AWG
BLACK	GND	18AWG		YELLOW	+12V	18AWG

BLACK	GND1/GND	18/22AWG	PIN 1	YELLOW	+12V	18AWG
BLACK	GND	18AWG		YELLOW	+12V	18AWG
BLACK	GND	18AWG		YELLOW	+12V	18AWG
BLACK	GND	18AWG		YELLOW	+12V	18AWG

YELLOW	+12V	18AWG	PIN 1	BLACK	GND	18AWG
YELLOW	+12V	18AWG		BLACK	GND	18AWG
YELLOW	+12V	18AWG		BLACK	GND	18AWG
BLACK	GND	18AWG		BLACK	GND	18AWG

YELLOW	+12V	18AWG	PIN 1	BLACK	GND	18AWG
YELLOW	+12V	18AWG		BLACK	GND	18AWG
YELLOW	+12V	18AWG		BLACK	GND	18AWG
BLACK	GND	18AWG		BLACK	GND	18AWG

Yellow	+12V	18AWG	PIN 1			
Black	GND	18AWG				
Black	GND	18AWG				
Red	+5V	18AWG				

Yellow	+12V	18AWG	PIN 1			
Black	GND	18AWG				
Black	GND	18AWG				
Red	+5V	18AWG				

YELLOW	+12V	18AWG	PIN 1			
BLACK	GND	18AWG				
BLACK	GND	18AWG				
RED	+5V	18AWG				

YELLOW	+12V	18AWG	PIN 1			
BLACK	GND	18AWG				
BLACK	GND	18AWG				
RED	+5V	18AWG				

YELLOW	+12V	22AWG	PIN 1			
BLACK	GND	22AWG				
BLACK	GND	22AWG				
RED	+5V	22AWG				

YELLOW	+12V	18AWG	Pin 1			
BLACK	GND	18AWG				
RED	+5V	18AWG				
BLACK	GND	18AWG				
ORANGE	+3.3V	18AWG				

YELLOW	+12V	18AWG	Pin 1			
BLACK	GND	18AWG				
RED	+5V	18AWG				
BLACK	GND	18AWG				
ORANGE	+3.3V	18AWG				

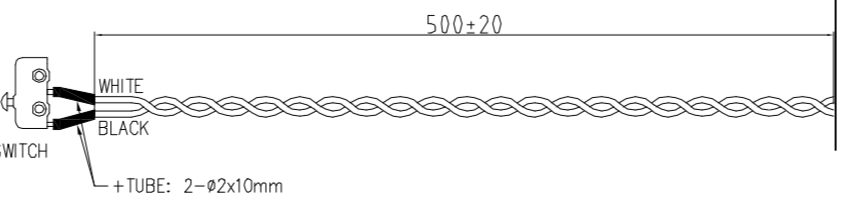
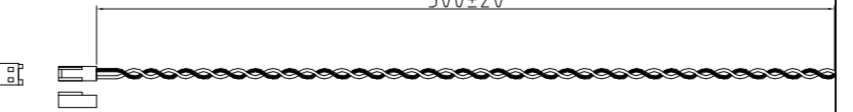
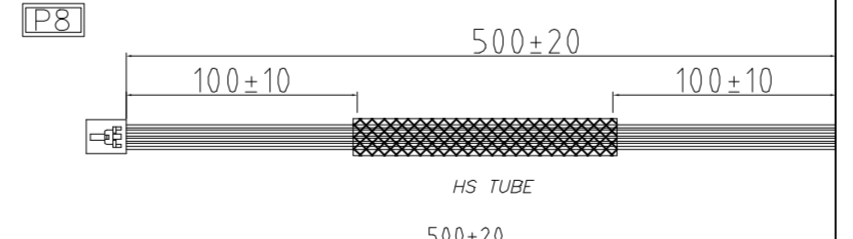
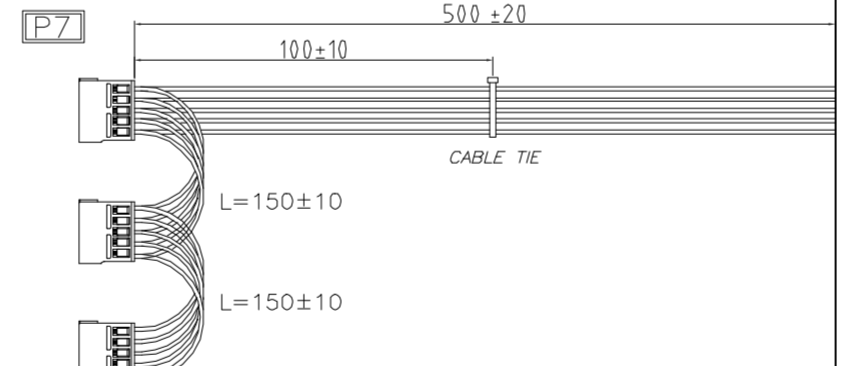
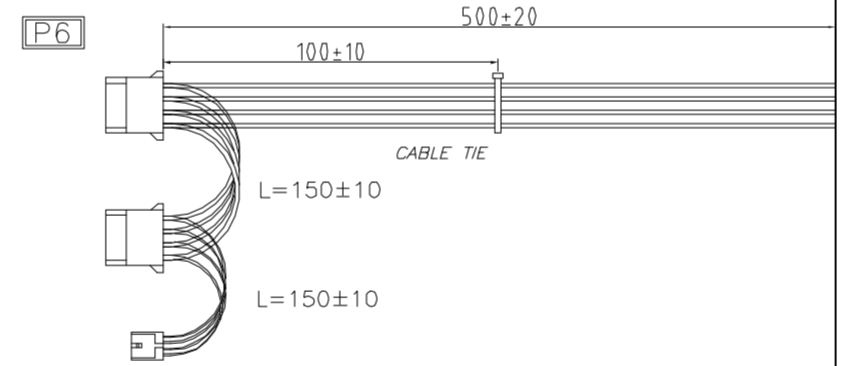
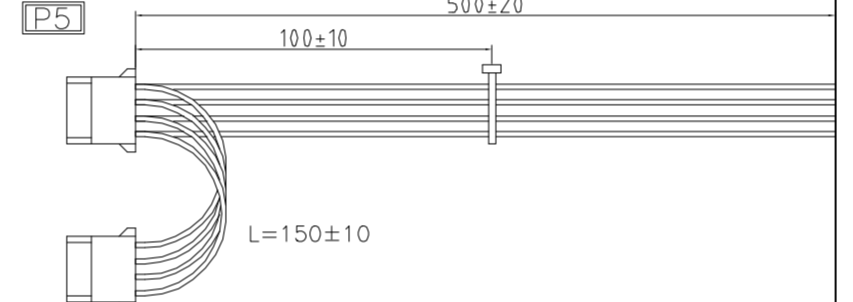
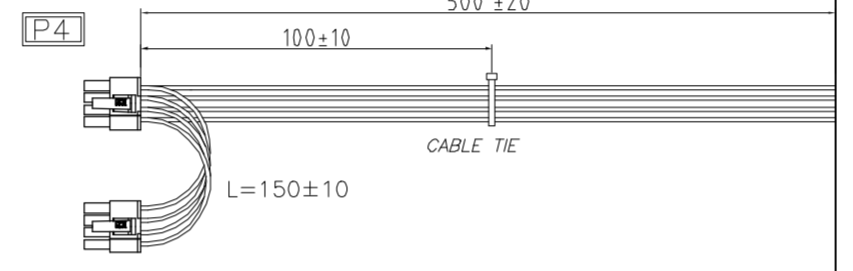
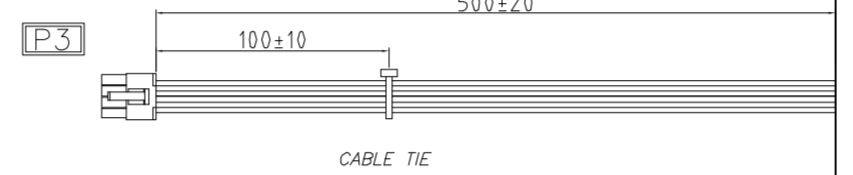
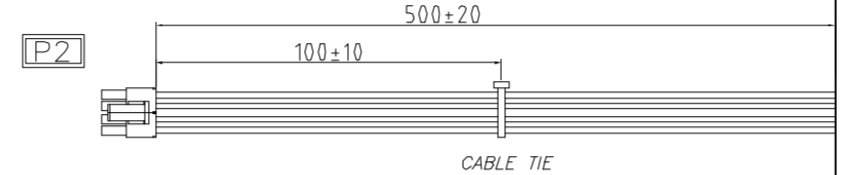
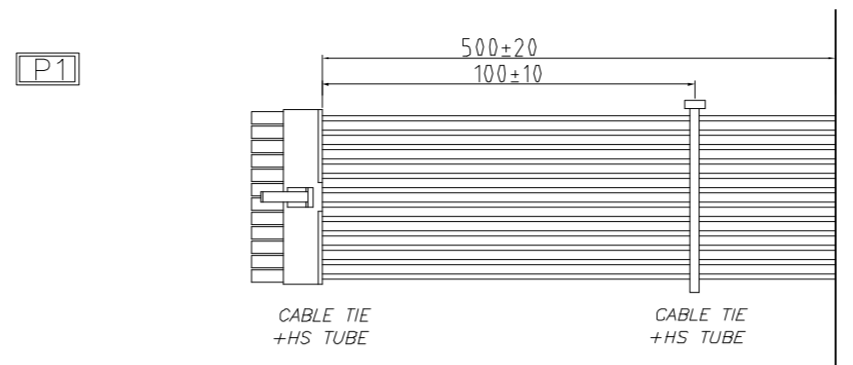
YELLOW	+12V	18AWG	Pin 1			
BLACK	GND	18AWG				
RED	+5V	18AWG				
BLACK	GND	18AWG				
ORANGE	+3.3V	18AWG				

GREEN	SCL	24AWG	PIN 1			
GRAY	SDA	24AWG				
RED	SMBAlert	24AWG				
BLACK	GND	24AWG				
ORANGE	3.3VCC	24AWG				

TTL Signal	---	BLACK	GND	26AWG		
		ORANGE	TTL	26AWG		

TTL Signal	---	GREEN	TTL1	24AWG		
		GRAY	TTL2	24AWG		

BLACK		26AWG				
WHITE		26AWG				



REV	DESCRIPTION	LOCATION	SIGN	DATE
A	RELEASE		Ben	2019.09.27

A2	UNIT	SCALE	SHEET	MODEL No.	IS-850R2UPD8UC
	MM	1,000	1 of 1	PART NAME	CABLE DEFINE
APPROVED	CHECKED	DESIGNED	PART No.		REV A
2020.03.13	2020.03.13	2020.03.13			