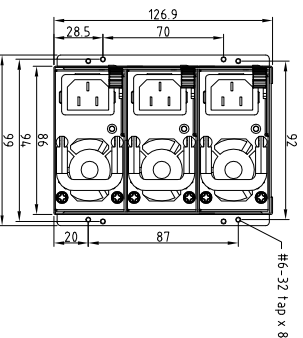
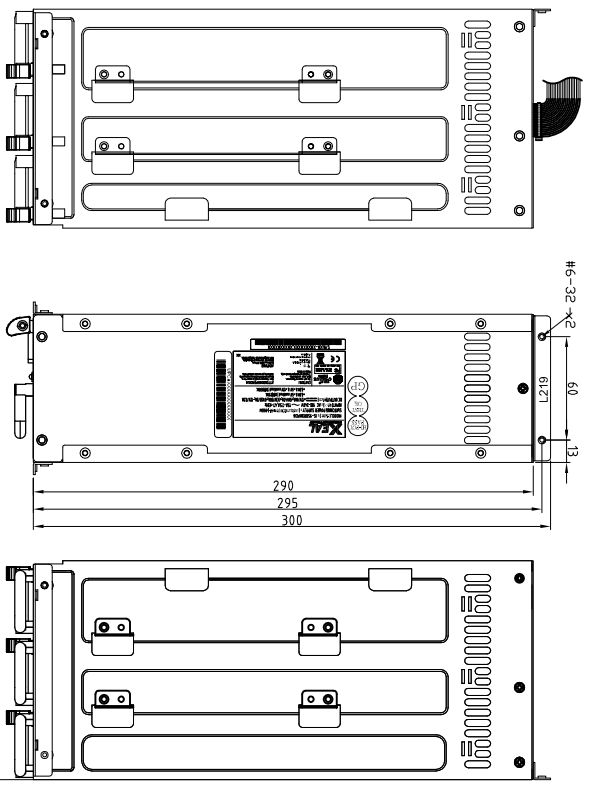
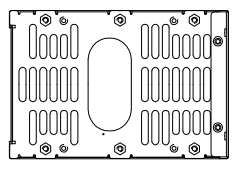
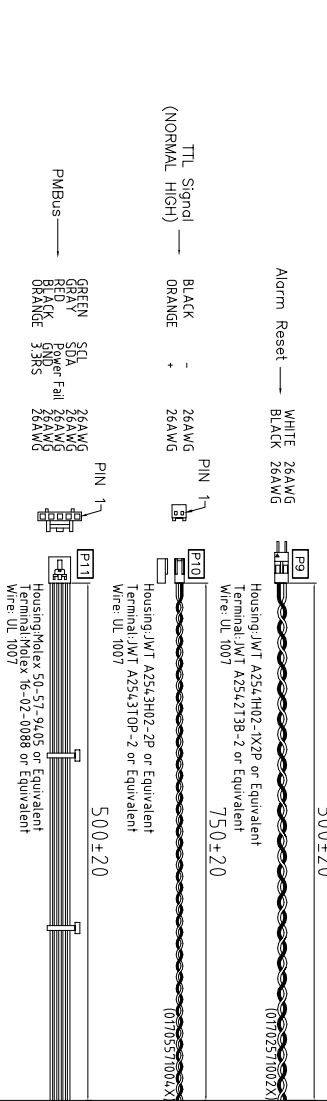
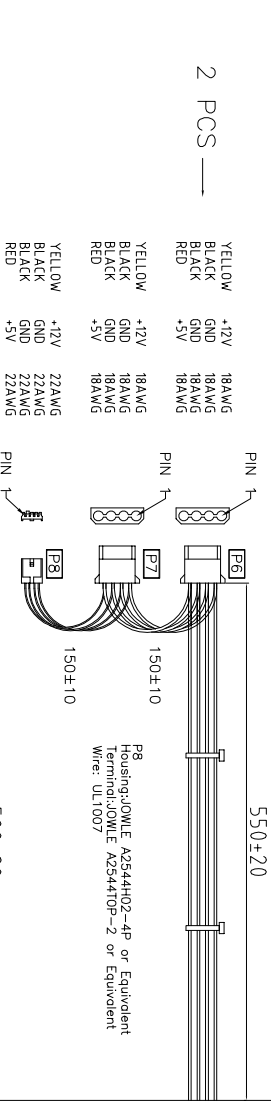
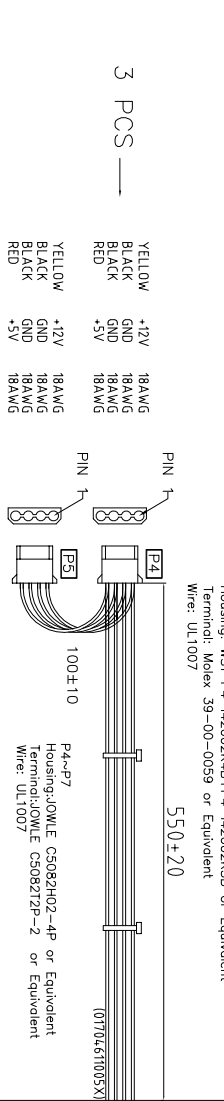
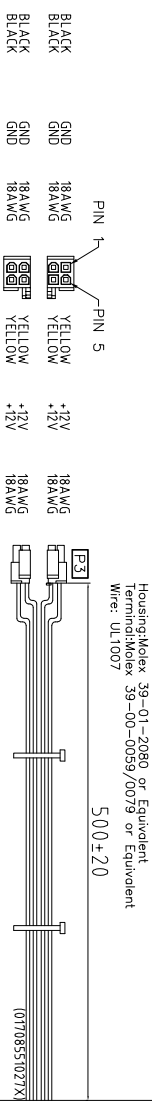
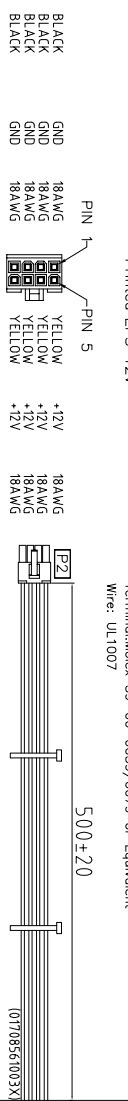
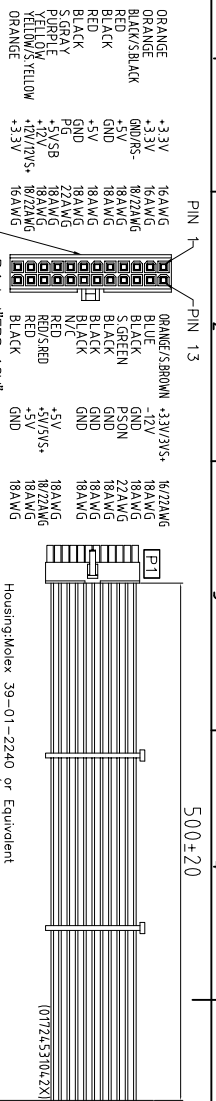


Rev.	Revision note	Date	Drawn By	Check By	Approved By
A	NEW DRAWING ISSUE	01/10/11	Lawrence		



MODEL	IS-950R3KPD8	NAME	Wireharness
NOTES	MATERIAL Wireharness		
FINISH	UNIT mm SCALE		
SCALE	SHEET		
OF	DRAWING NO		