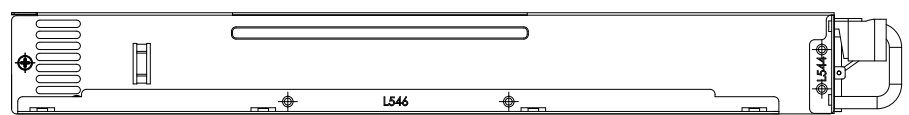
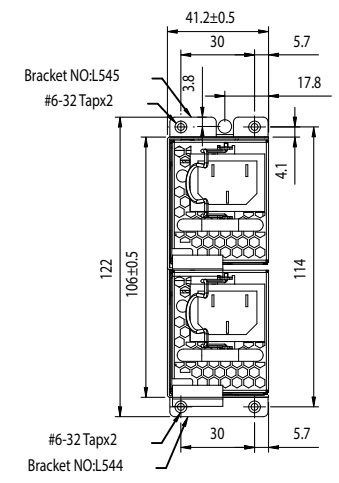
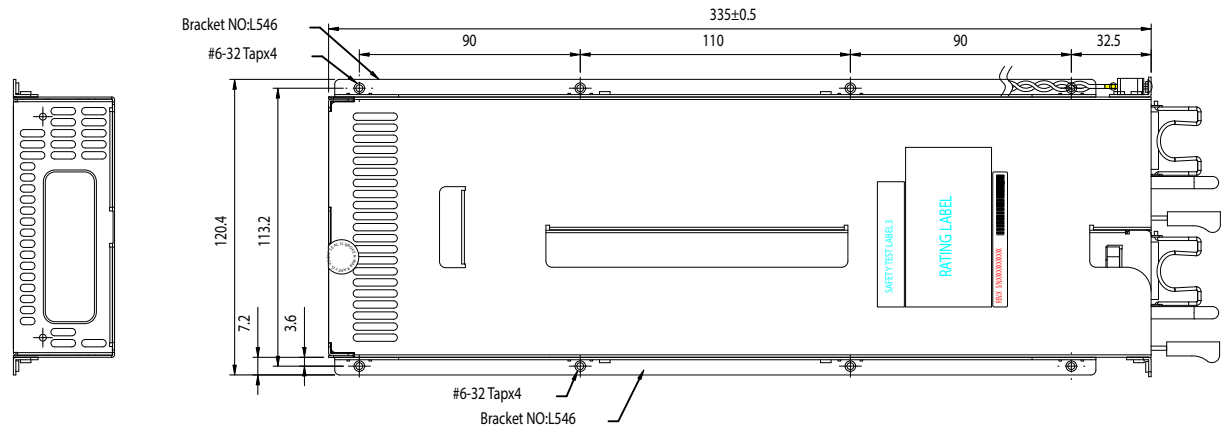
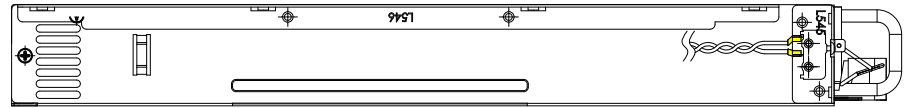


| Rev | Revision note      | DATE     | Drawing By | Check By | Approved By |
|-----|--------------------|----------|------------|----------|-------------|
| A   | New Drawing Issue. | 11/26/15 | Mindy      |          |             |

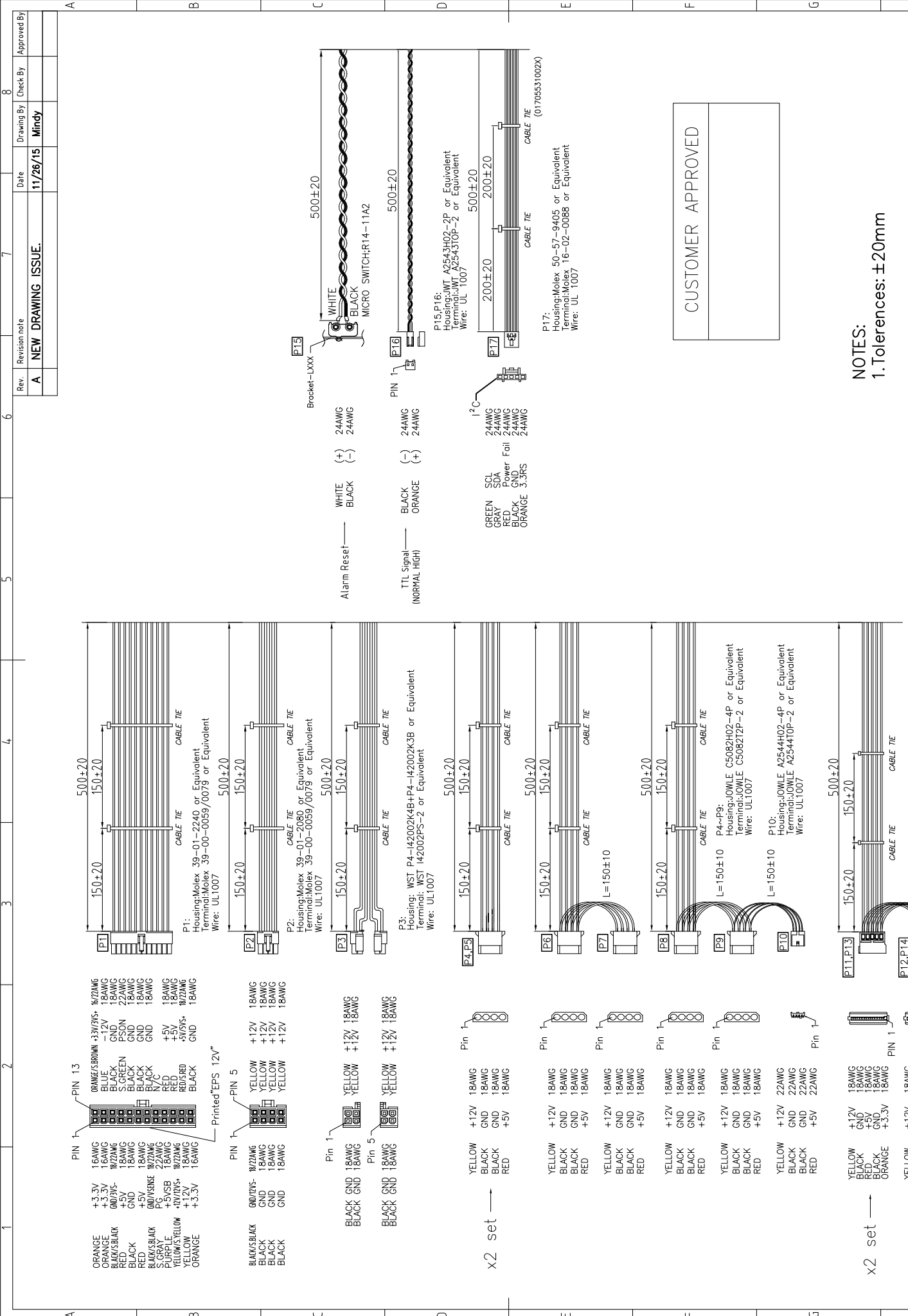


NOTES:  
1. Tolerances: ±0.5mm

| MODEL   |         |           | NAME                 |  |  |
|---|---------|-----------|----------------------|--|--|
| IX-500RSH1UP8G                                |         |           | Outside Dimension    |  |  |
| NOTES<br>TOLERANCE UNLESS OTHERWISE INDICATED |         |           | MATERIAL             |  |  |
| GENERAL TOLERANCE                             |         |           | FINISH               |  |  |
| LENGTH  | For NCT | For Model | PART NO              |  |  |
| 0-25mm  | ±0.25mm | ±0.25mm   | MANUFACTURE NUMBER   |  |  |
| 25-75mm                                       | ±0.50mm | ±0.50mm   | Creo NO              |  |  |
| 75-125mm                                      | ±0.75mm | ±0.75mm   | UNIT mm SCALE 1 of 1 |  |  |
| OVER 125mm                                    | ±1.00mm | ±1.00mm   | SHEET                |  |  |



UNIT mm SCALE 1 of 1



|      |                    |          |            |          |             |
|------|--------------------|----------|------------|----------|-------------|
| Rev. | Revision note      | Date     | Drawing By | Check By | Approved By |
| A    | NEW DRAWING ISSUE. | 11/26/15 | Mindy      |          |             |

CUSTOMER APPROVED

NOTES:  
1. Tolerances: ±20mm

|                       |                    |             |
|-----------------------|--------------------|-------------|
| MODEL                 | NAME Wireharness   |             |
| IX-500RSH1UP8G        | Wireharness        |             |
| TERMINAL HOUSING      | TERMINAL MATERIAL  | UNIT        |
| MOLEX 39-00-0059/0079 | JOWLE A2544TOP-2   | mm          |
| TERMINAL LEAD LENGTH  | TERMINAL FINISH    | SHEET       |
| 250mm                 | 250mm              | 1 of 1      |
| TERMINAL LEAD DUEP    | MANUFACTURE NUMBER | DRAWING NO. |
| 300mm                 |                    |             |

