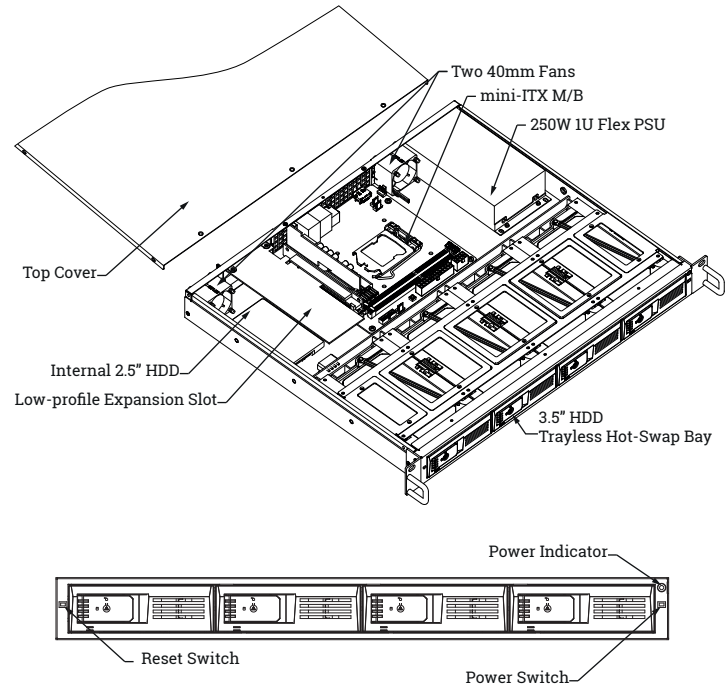


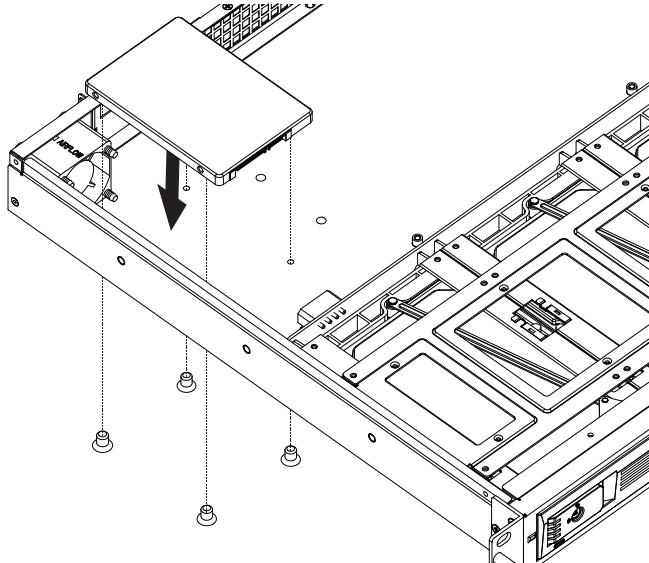
# Installation Guide

## Major Components



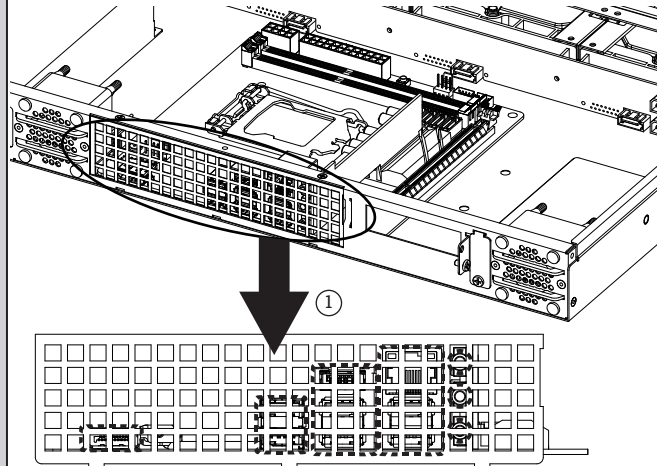
## 2.5" HDD Assembly

1. Tighten M3 screws to secure 2.5" HDD

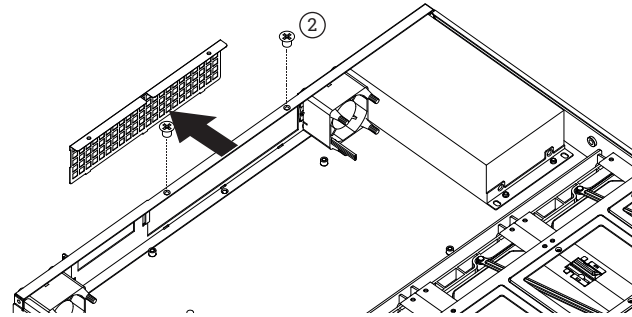


## Mini-ITX M/B Assembly

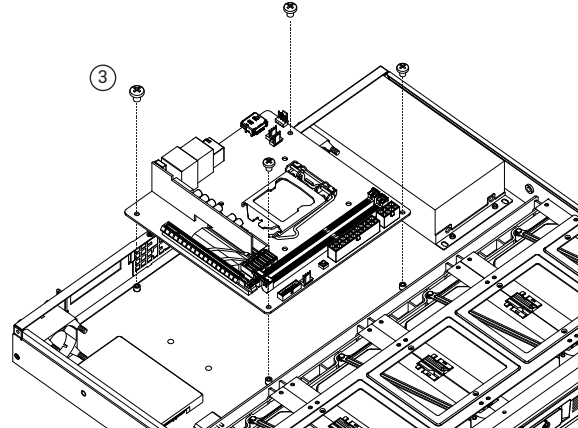
1. Put motherboard into the chassis and position the motherboard I/O in order to cut the I/O shield (This step can be skipped if I/O shield is not needed)



2. Loosen 2 screws to remove IO shield

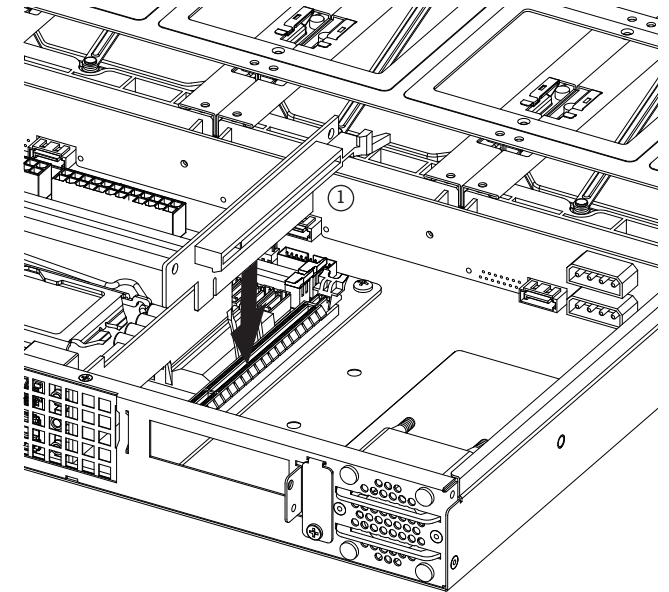


3. Tighten #6-32 screws to secure motherboard



## Expansion Card Assembly

1. Install riser card to motherboard



2. Install the low-profile expansion card to riser card
3. Tighten #6-32 screws to secure add-on card
4. Tighten #6-32 screws to secure EMI cover

