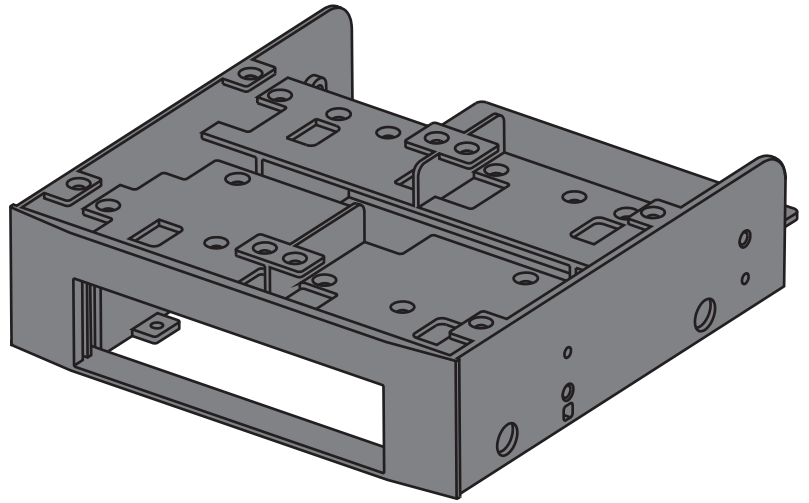


RP-3HDD2535E

2.5" and 3.5" to 5.25" HDD/SSD Mounting Bracket

- Supports 7 to 9.5mm thickness 2.5" HDDs/SSDs
- Compatible with standard 5.25" device bay
- In one 5.25" drive bay, mount two 2.5" HDD & one internal 3.5" HDD or external 3.5" device
- snap-off 3.5" bay cover plate
- Includes mounting screws
- Material: Plastic



Installation Guide

A) two 2.5" HDD/SSDs & one 3.5" HDD

1. install 3.5" HDD to the mounting bracket and secure it with screws
2. install 2.5" HDD/SSD to the mounting bracket and secure it with screws
3. snap off the dust cover from the back.
4. slide in the plate to cover the 3.5" bay opening

B) two 2.5" HDD/SSDs & one AN-HSIN 3.5"-to-2.5" hot-swap rack

1. install 2.5" HDD/SSD to the mounting bracket and secure it with screws
2. install AN-HSIN 3.5"-to-2.5" hot-swap rack (or 3.5" device) and secure it with screws

