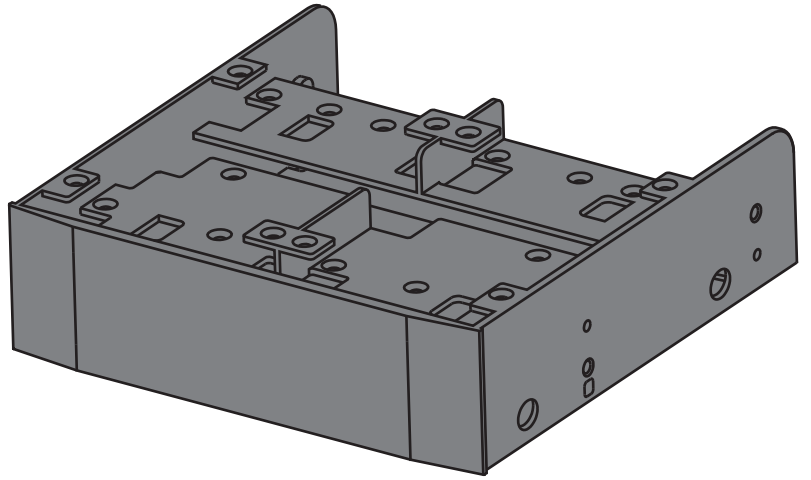


RP-5HDD2535I

2.5" and 3.5" to 5.25" HDD/SSD Mounting Bracket

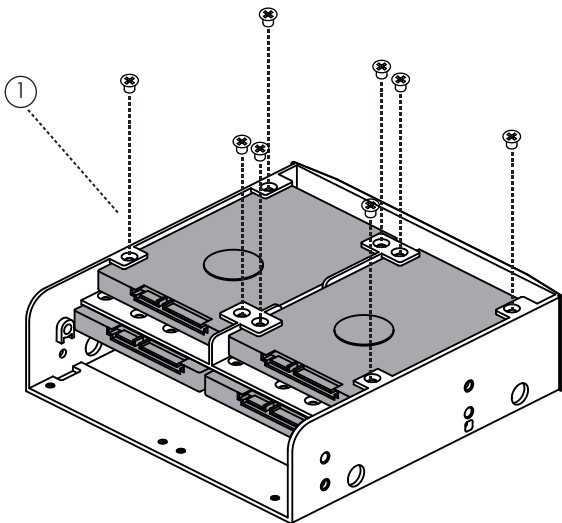
- Supports 7 to 15mm thickness 2.5" HDDs/SSDs
- Compatible with standard 5.25" device bay
- In one 5.25" drive bay, mount (A) five 2.5" HDD/SSDs or (B) two 2.5" HDD/SSDs & one 3.5" HDD
- Includes mounting screws
- Material: Plastic



Installation Guide

A) five 2.5" HDD/SSDs

1. install upper four 2.5" HDD/SSDs with the HDD label facing down and secure hard drives with screws from top
2. install lower one 2.5" HDD/SSDs with the HDD label facing up and secure it with three screws from bottom



B) two 2.5" HDD/SSD & one 3.5" HDD

1. install 3.5" HDD with the HDD label facing down and secure hard drives with screws from top
2. install two 2.5" HDD/SSDs with the HDD label facing down and secure hard drives with screws

