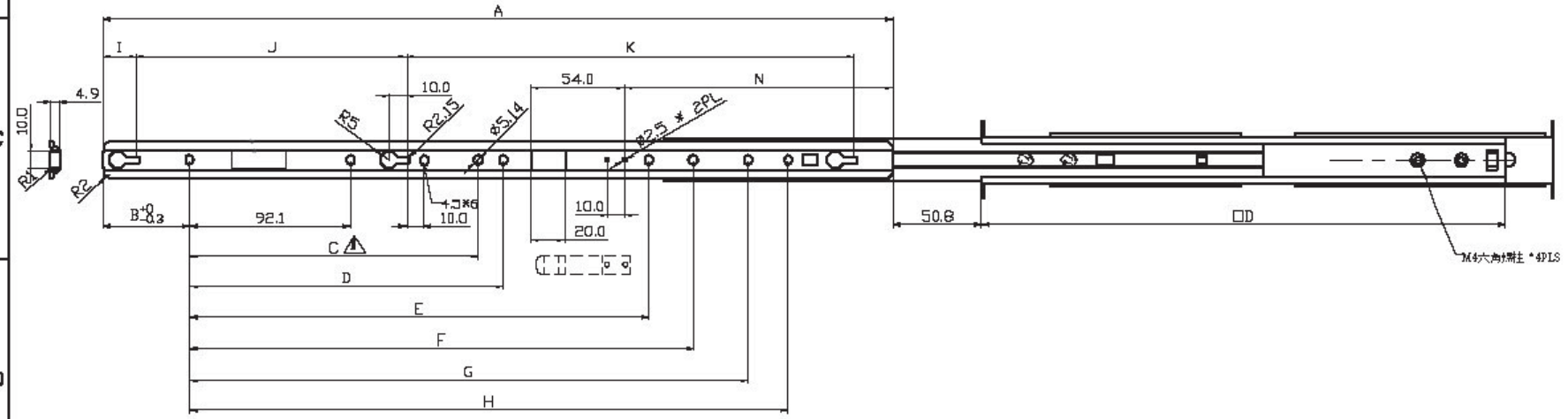
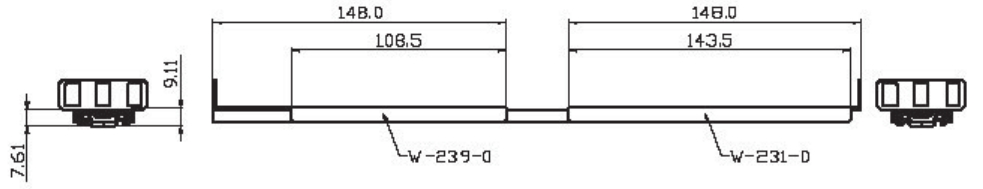


REV	DATE	LOC	DESCRIPTION	DRW
△			92205-27 枕滑一孔・複長特製	

- NOTES:
- 1.MATERIAL:SLIDE MEMBERS AND COMPONENT PARTS
WORK - HARDENED,C OLD - ROLLED STEEL.
 - 2.LUBRICANT : ANTIWEAR AND EXTREME PRESSURE PROPERTIES.
 - 3.FINISH:ELECTRO - ZINC PLATED.
CHROMATIC COATED CLEAR OR BLACK.
 - 4.PULL FORCE: 2.75 ±0.2N/GFC.
 - 5.TOLERANCES ARE FOLLOWS UNLESS OTHERWISE SPECIFIED.

XX	±0.0
X	±0.05
HOLES	±0.05
ANGLE	±1°



単位: mm

SLIDE LENGTH	A	B	C	D	E	F	G	H	SLIDE LENGTH	I	J	K	L	OD	N
18"	456.0	89.66			276.3				18"					457.0	143.55
20"	607.0	89.66			368.4				20"					608.0	158.55
22"	658.0	89.66	184.2		368.4				22"					659.0	183.55
24"	609.0	89.66	184.2		368.4	460.5			24"					610.0	208.55
26"	659.0	57.91	184.2	276.3		460.5	552.6		26"	19.00	163.20	460.30		660.0	233.55
28"	710.0	57.91	184.2	276.3		552.6			28"	19.00	163.20	460.30	272.00	711.0	258.55
30"	761.0	57.91	184.2	276.3		460.5	552.6	644.7	30"					762.0	283.55

DRW:	DATE:	MATERIAL: CC-4D	iStarUSA™	
CKD:	CUSTOMER P/N: *****	FINISH: ZN		
APPD:	CUSTOMER *****	SCALE: 1/1	MODEL: RP-Rail-20-1U	TITLE: DRAWING ASSY
		UNIT: mm	P/N: 13002651	SHEET 1 OF 1
		CLASS: PART:	D/N: *****	REV: R1