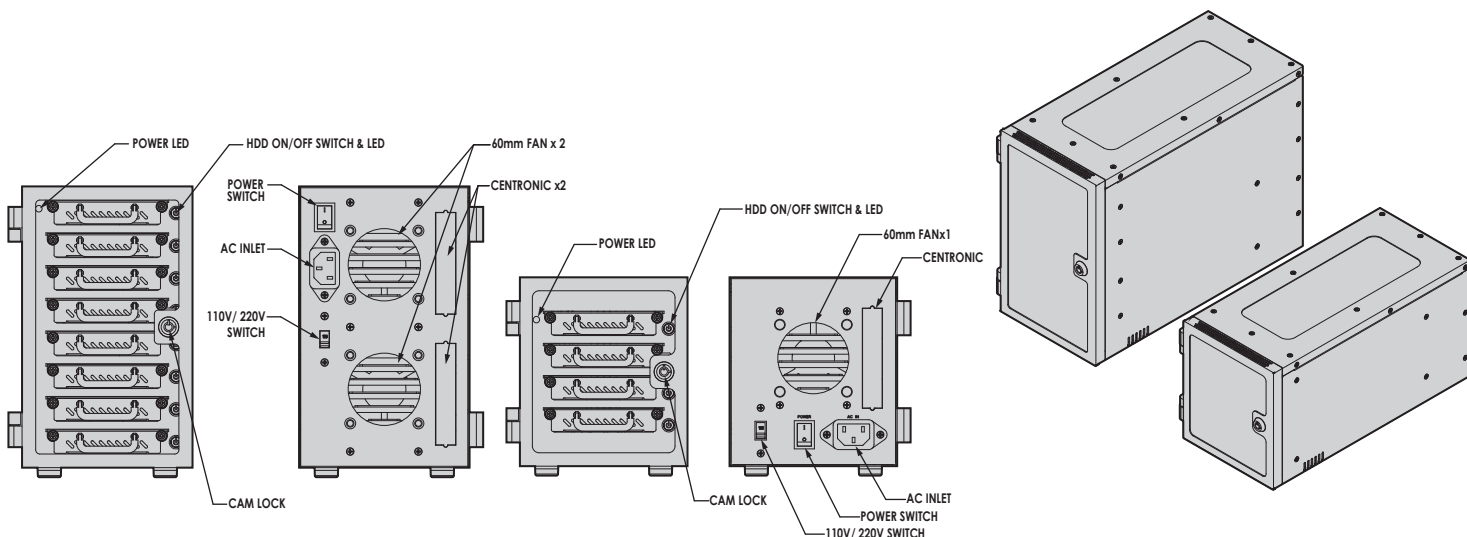


# Installation Guide

Version 01

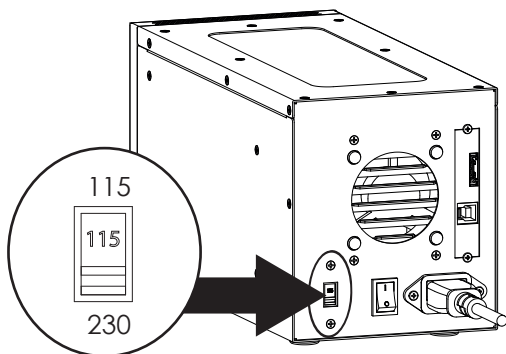


## Switching Power Supply Voltage

### \*CAUTION:

Ensure the power supply voltage selector switch is correctly set for your region before use

**Wrong voltage setting will cause damages on devices**

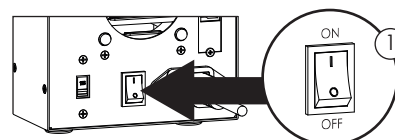


1. Switch to right voltage setting before turning on power switch

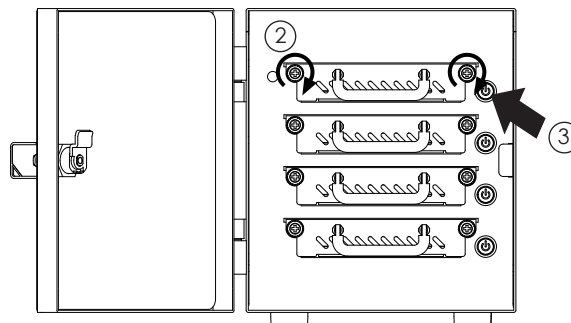
## Powering ON/OFF System

### \*CAUTION:

To prevent drive failures or data loss, unmount the device in OS before powering off hard disk bay

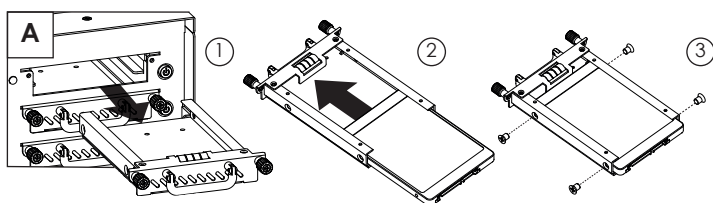


1. Make sure power switch in the back of chassis is in ON position



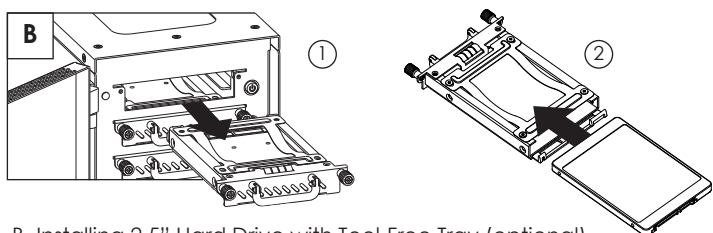
2. Tighten two hand screws to secure HDD tray
3. Push individual power buttons to power on each hard drive
4. Push power buttons again to power off hard drives

## Installing 2.5" Hard Drive



### A. Installing 2.5" Hard Drive with Standard Tray

1. Pull HDD tray out
2. Install 2.5 HDD onto tray
3. use four M3 screws to secure 2.5" HDD to tray



### B. Installing 2.5" Hard Drive with Tool-Free Tray (optional)

1. Pull HDD tray out
2. Insert 2.5" HDD directly to tray

## Locking and Unlocking Door

1. Turn the key clockwise to lock the door
2. Turn the key counterclockwise to unlock the door

