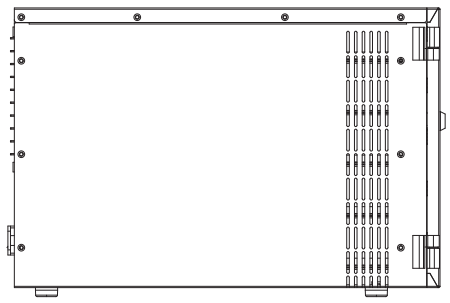
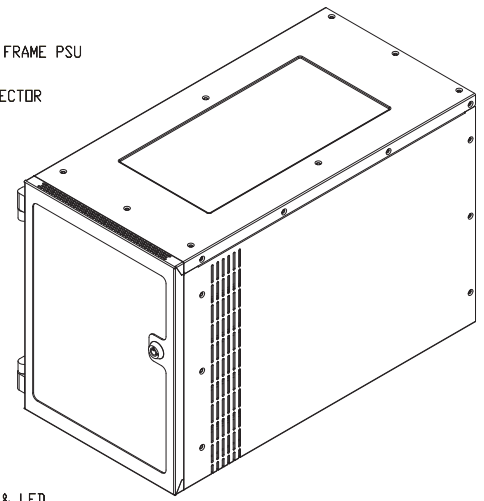
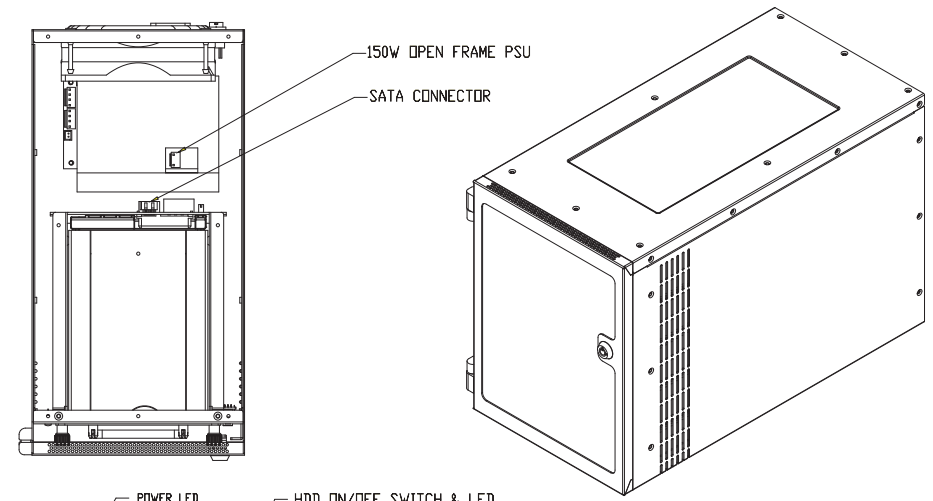
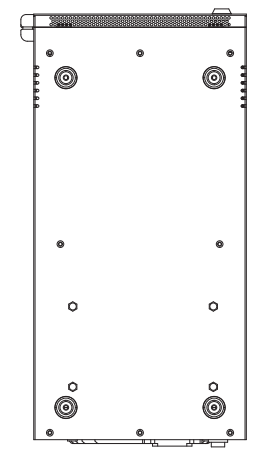
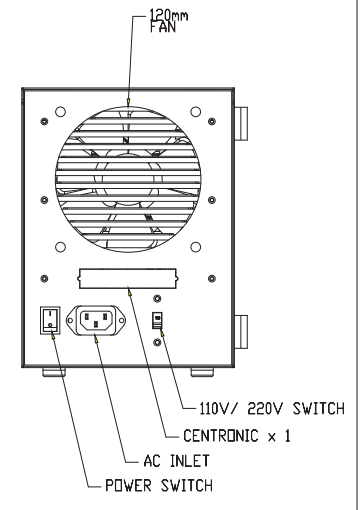
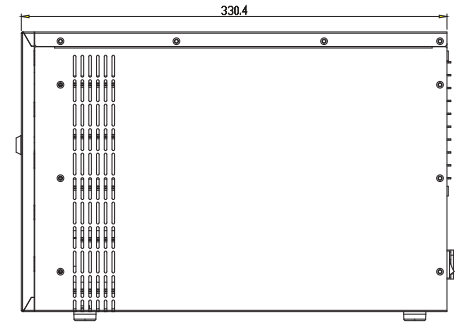
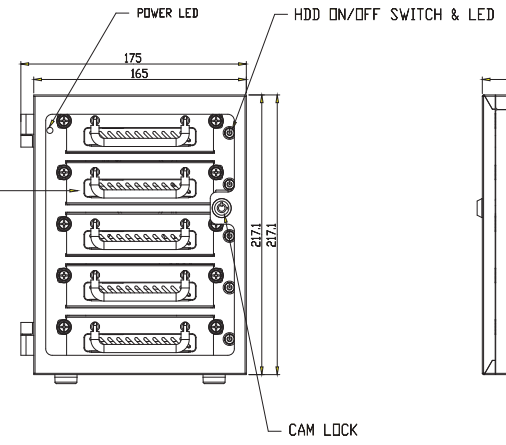


Model NO	S-355-JB
Ext	3.5" x 5
Interface	Centronic x1
Fan	120mm x1
Power	150W Open fram



3.5" HDD x 5



				MODEL NAME:	S-355-JB
				PART NO.	<b>APPROVED</b>
				PART NAME	Product Drawing
GENERAL TOLERANCES:	FRACTIONAL DECIMALS ANGLES	PROJECT CODE			
ISN: David	May-12-14	MATERIAL:			
CHK:		FINISH:			
APPD:		SCALE: 1:2	UNIT: mm	SHEET: 1 OF 1	Size: A1
				VER:	