

S-915

Compact Stylish 5x 5.25" Bay mini-ITX Tower



Features

- Sleek Front Panel with Power On Button
- 5x5.25" Bays Available for Mobile Drive Cage
- Aluminum Front Panel with USB 2.0
- Front Door Keylock Design to Secure Data inside
- Heavy Duty SECC Construction
- Compatible with Standard PS2 Power Supply
- Support Standard I/O Slot
- Support mini-ITX Motherboard
- Power and HDD LED Indicators
- One 80mm Cooling Fan
- Internal 2.5" Bay for OS HDD

Specifications

Model Number	Expansion Slots	Cooling Fan	
S-915	2	1x80mm	
RoHS Compliance	Material of Front Bezel	Dimensions (WxHxD)	
YES	Aluminum	Width	7.23" (183.6 mm)
		Height	9.29" (236.0 mm)
		Depth	16.46" (418.1 mm)
Form factor	Material of Main Chassis		
Tower U	SECC 0.8mm		
Standard Drive Bays	Color of Front Bezel		
2.5" Drive (internal): 1	Black		
5.25" Drives: 5			
Indicators	Color of Main Chassis		
Power, HDD	Black		
Switches	Front Connector		
Power, Reset	1x USB 2.0		
Supported PSU Type	Motherboard Size		
ATX PS2	6.7 x 6.7 (mini-ITX)		

Front View



Inside View



* Drive Cage and Motherboard not included

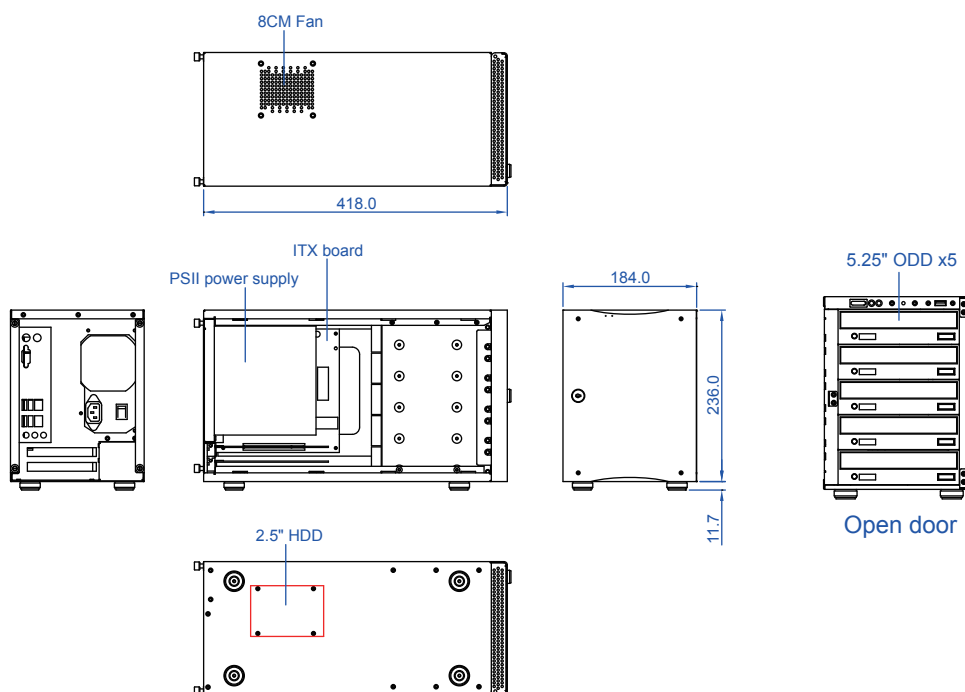
Rear View



* Drive Cage and Motherboard not included

We at iStarUSA Group offer OEM/ODM services for Industrial Power, Custom Power, Chassis, Cabinets, and Data Storage. Through our skilled metal bending, milling, and silk screening we can provide you with unique customizations that will make your product stand out from the rest. With iStarUSA Group's OEM/ODM Solutions you can be sure to receive one-of-a-kind products for your one-of-a-kind business.

Dimensions



Ordering Information

Model	Description
S-915	Compact Stylish 5x 5.25" Bay mini-ITX Tower

Compatible Power

PSU Model	Description
IS-400R8P	IS 400w x 2 redundant
IS-550R8P	Mini 550w Redundant

Optional Accessories

Category	Model
Drive Cage	BPN Trayless Drive Cage Series
	BPU Tray Drive Cage Series