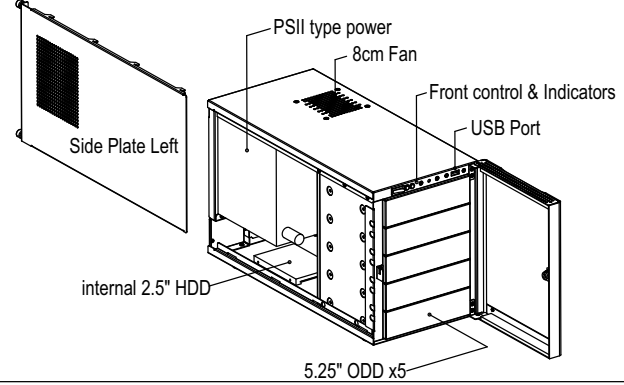
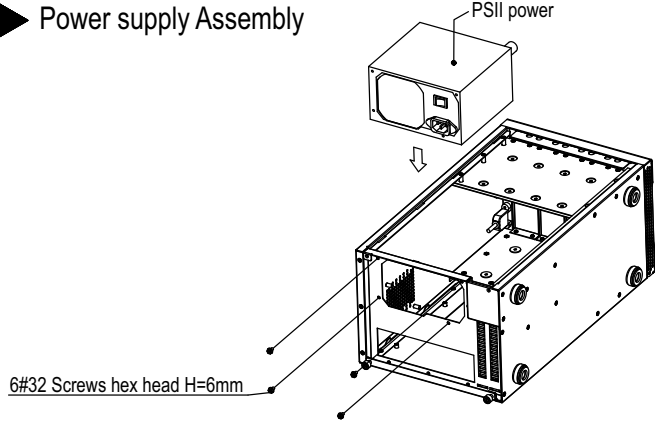


# S-915 USER MENU

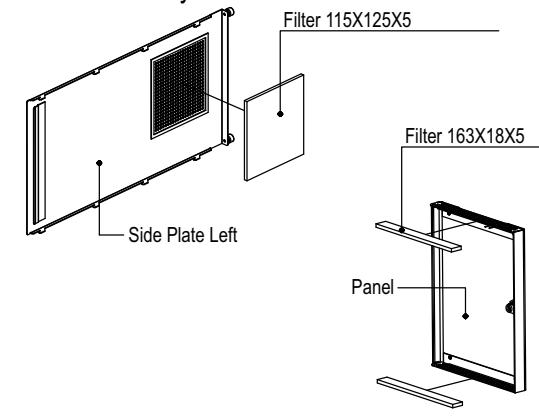
## Main list



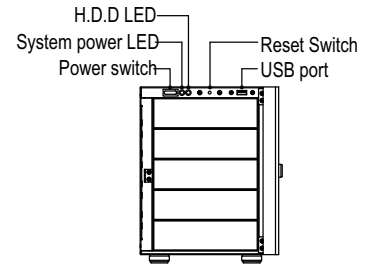
## Power supply Assembly



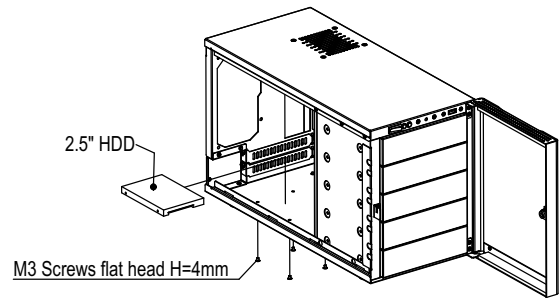
## Fan Filter Assembly



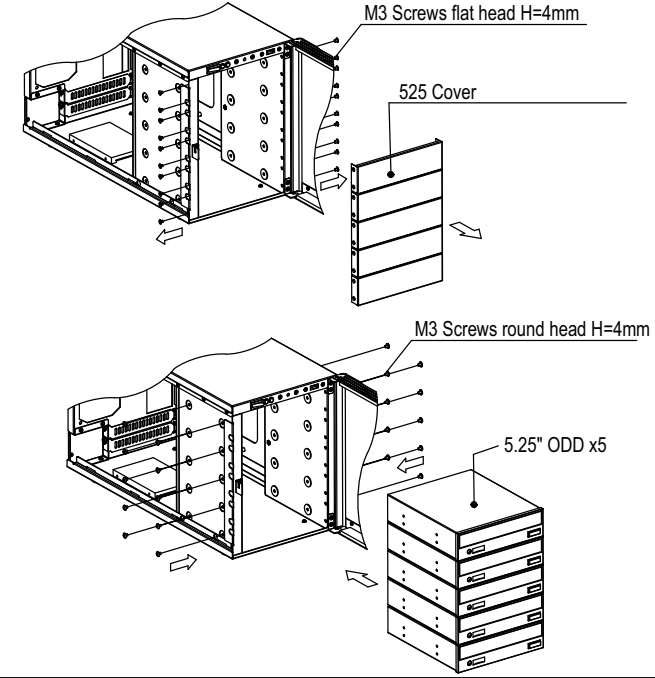
## Front Controls & indicators



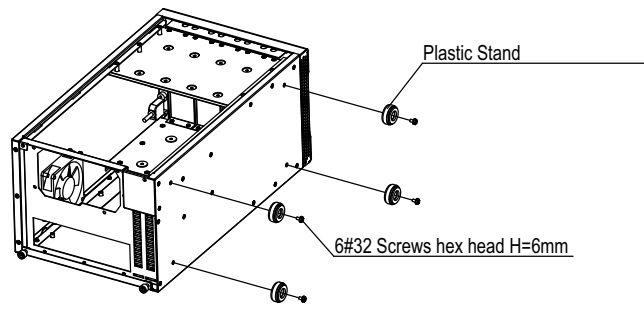
## 2.5" Drive Bay Assembly



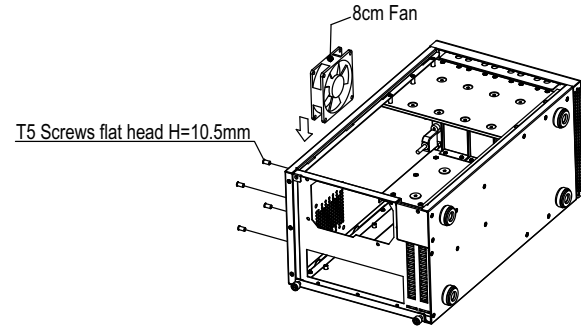
## 5.25" Drive Bay Assembly



## Pedestal Foot-stand Assembly



## Fan Assembly



## Accessory List

Part Description	Part No.	Q'ty
M3 Screw Round head H=4mm		24
6#32 Screw Hex head H=6mm		4
M3 Screw flat head H=4mm		4