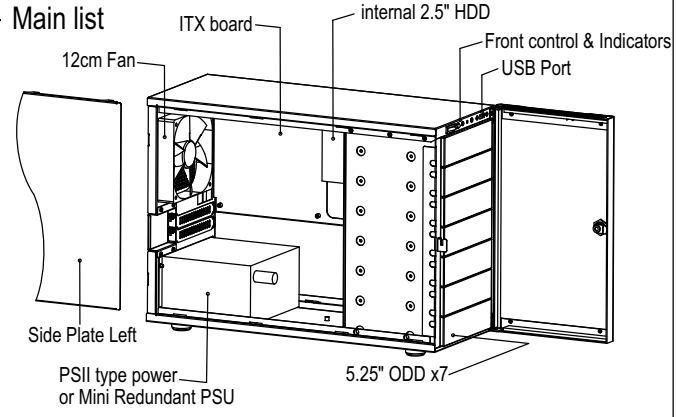
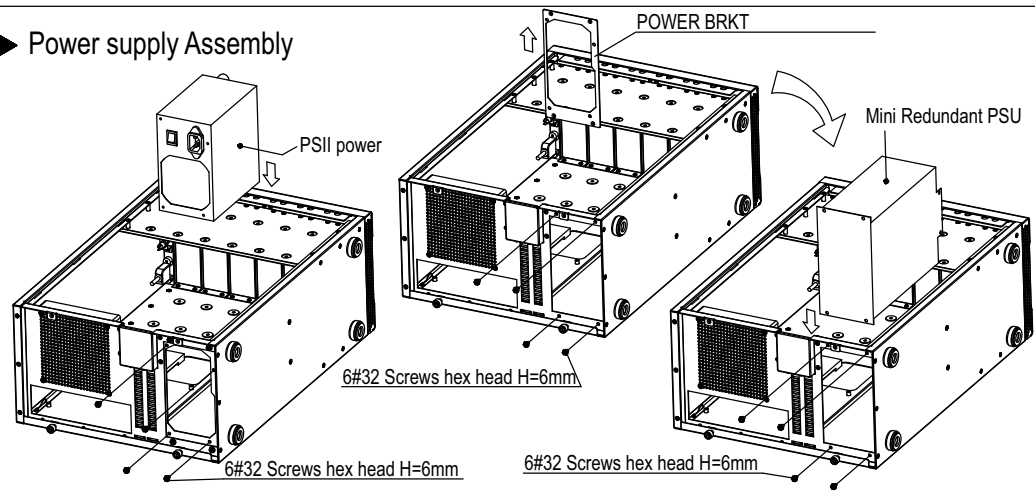


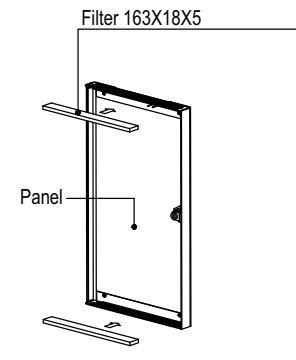
S-917 USER MENU



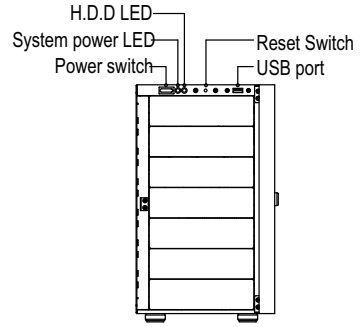
Power supply Assembly



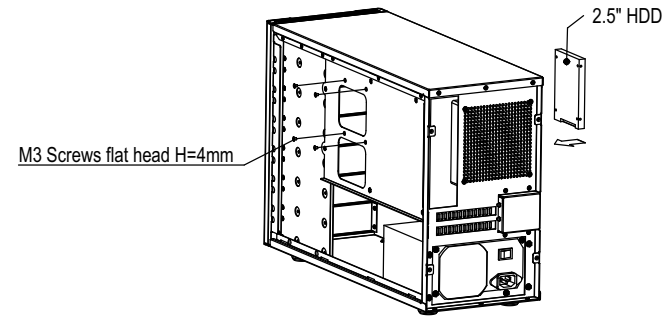
Fan Filter Assembly



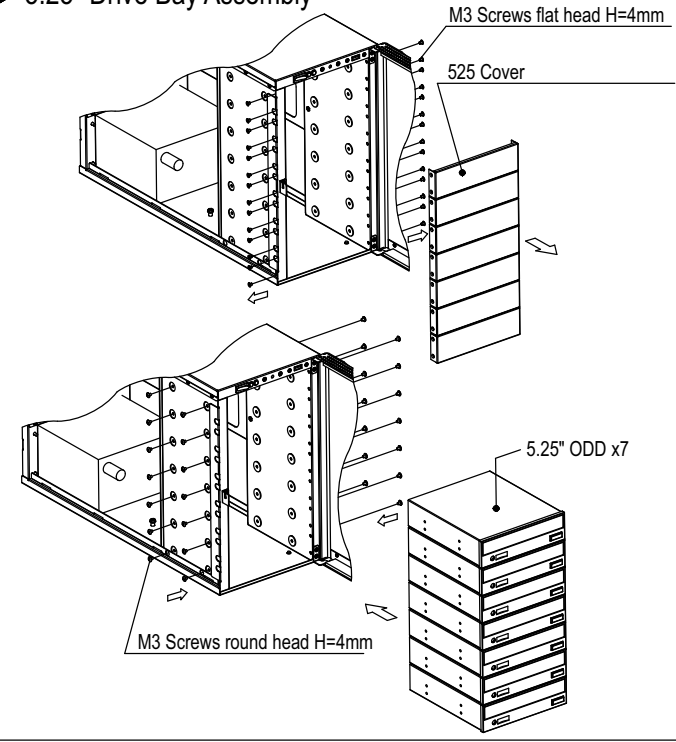
Front Controls & indicators



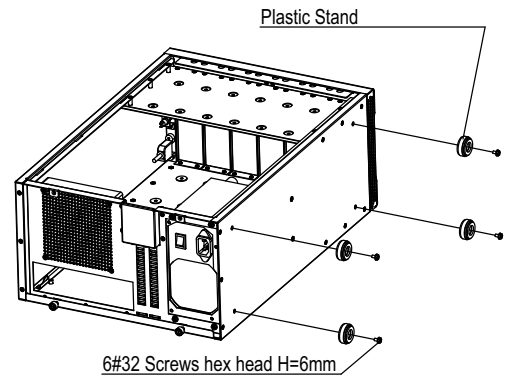
2.5" Drive Bay Assembly



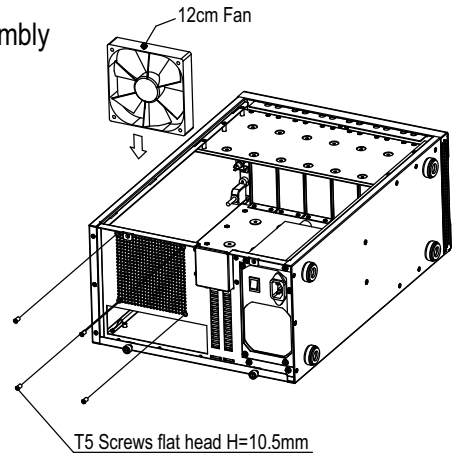
5.25" Drive Bay Assembly



Pedestal Foot-stand Assembly



Fan Assembly



Accessory List

Part Description	Part No.	Q'ty
M3 Screw Round head H=4mm		32
6#32 Screw Hex head H=6mm		6
M3 Screw flat head H=4mm		4