

# T-7DE-HD

5.25" to 3.5" 2.5" 12Gb/s HDD SSD  
Hot-swap Rack



## Features

- Supports plug & play, hot-swappable
- Security key lock that prevents HDD from accidentally removed
- Point to point, free from Master/Slave setting
- Open-frame aluminum body for best cooling with optional 40mm fan
- High Performance Transfer Rate up to 12Gb/s
- Supports 2.5" and 3.5" SAS I/II/III & SATA I/II/III HDD/SSD
- 14TB hard drive compatible

## Specifications

<b>Model Number</b>	<b>Material of Handle</b>
T-7DE-HD	Aluminum
<b>RoHS Compliance</b>	<b>Material of Main Chassis</b>
YES	Aluminum
<b>Standard Drive Bays</b>	<b>Color of Main Chassis</b>
Hotswap 3.5": 1 5.25" Drives: 1	Black
<b>Hotswap HDD Type:</b>	<b>Optional Fan:</b>
2.5" & 3.5" SAS I/II/III & SATA I/II/III	1x 40mm
<b>Indicators</b>	<b>Dimensions (WxHxD)</b>
Powr and HDD activity	Width 5.75" ( 146.0 mm ) Height 1.65" ( 41.9 mm ) Depth 7.36" ( 186.9 mm )
<b>Security</b>	
Key Lock	

## Front View



## Inside View



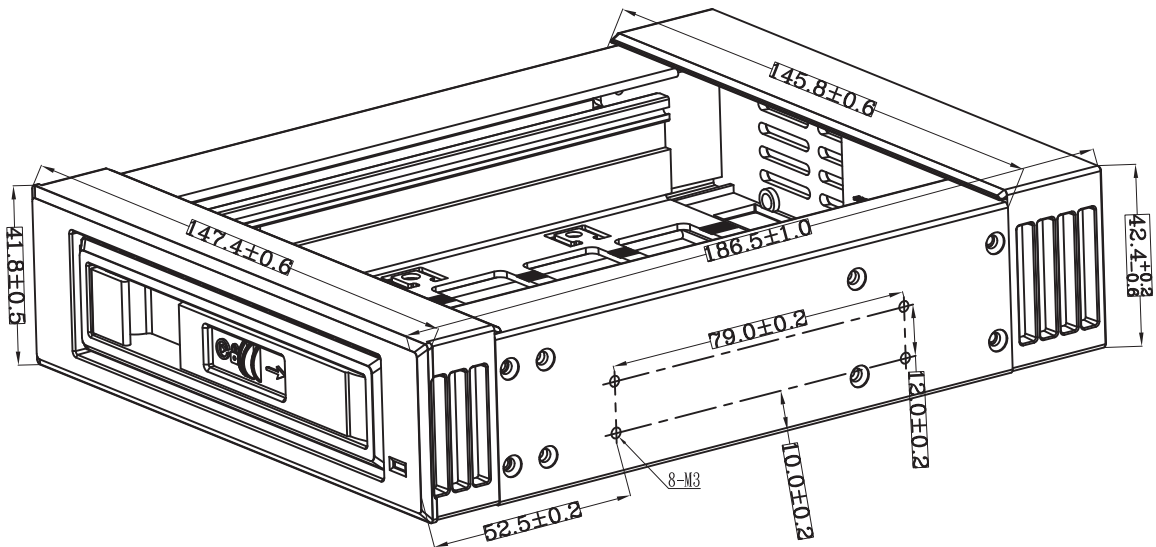
## Rear View



We at iStarUSA Group offer OEM/ODM services for Industrial Power, Custom Power, Chassis, Cabinets, and Data Storage. Through our skilled metal bending, milling, and silk screening we can provide you with unique customizations that will make your product stand out from the rest. With iStarUSA Group's OEM/ODM Solutions you can be sure to receive one-of-a-kind products for your one-of-a-kind business.



Dimensions



Ordering Information

Model	Description
T-7DE-HD	5.25" to 3.5" 2.5" 12Gb/s HDD SSD Hot-swap Rack