

# T-7HD

## Rugged 5.25" to 3.5" 12Gb/s HDD Hot-swap Rack



### Features

- Supports plug & play, hot-swappable
- Best air ventilation with one front Fan
- Unique 7.5" depth compact Size
- Point to point, free from Master/Slave setting
- Supports SAS I/II/III and SATA I/II/III Hard Drives
- 14TB hard drive compatible
- High Performance Transfer Rate up to 12Gb/s

### Specifications

<b>Model Number</b>	<b>Material of Handle</b>
T-7HD	Plastic
<b>RoHS Compliance</b>	<b>Material of Main Chassis</b>
YES	All Aluminum Design
<b>Standard Drive Bays</b>	<b>Color of Main Chassis</b>
Hot-swap 3.5": 1 5.25" Drives: 1	Black
<b>Hot-swap HDD Type:</b>	<b>Optional Fan:</b>
3.5" SAS I/II/III & SATA I/II/III	1x 40mm
<b>Indicators</b>	<b>Dimensions (WxHxD)</b>
Power and HDD activity	Width 5.75" ( 146.0 mm ) Height 1.65" ( 41.9 mm ) Depth 7.48" ( 190.0mm )
<b>Security</b>	
Key Lock	

### Front View



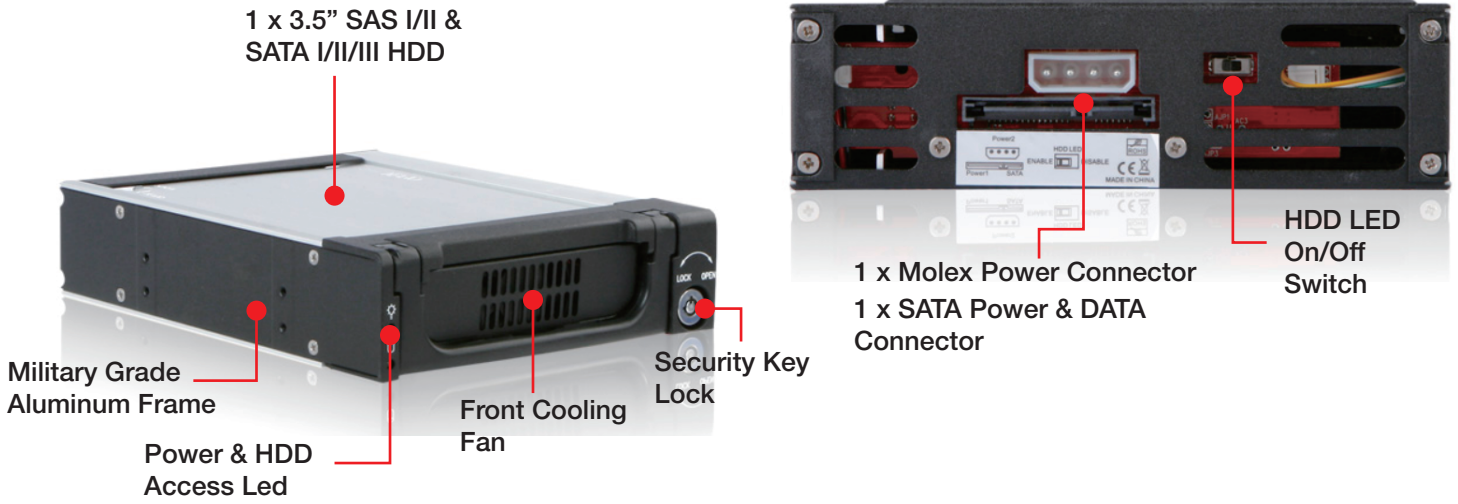
### Inside View



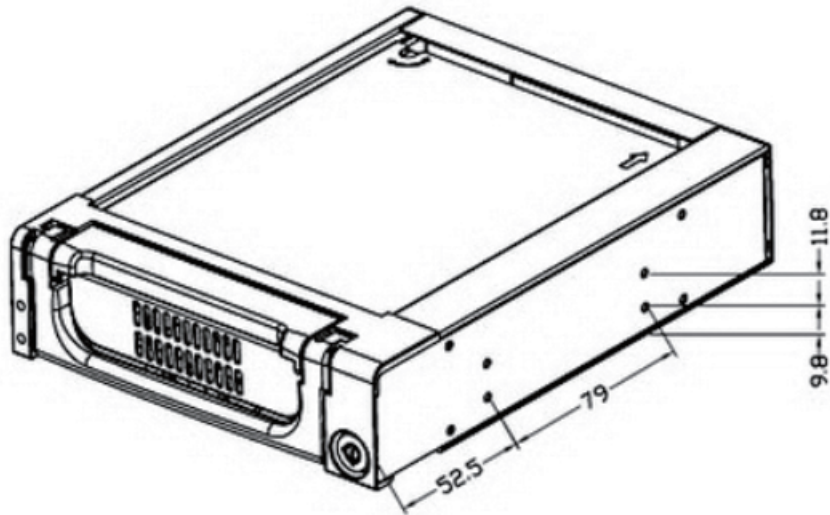
### Rear View



We at iStarUSA Group offer OEM/ODM services for Industrial Power, Custom Power, Chassis, Cabinets, and Data Storage. Through our skilled metal bending, milling, and silk screening we can provide you with unique customizations that will make your product stand out from the rest. With iStarUSA Group's OEM/ODM Solutions you can be sure to receive one-of-a-kind products for your one-of-a-kind business.



Dimensions



Ordering Information

Model	Description
T-7HD	Rugged 5.25" to 3.5" 12Gb/s HDD Hot-swap Rack

Optional Accessories

Model	Description
T-7SATA-TRAY-B	Tray for T-7-SA and T-7HD Mobile Rack