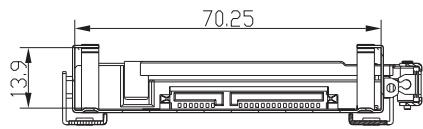
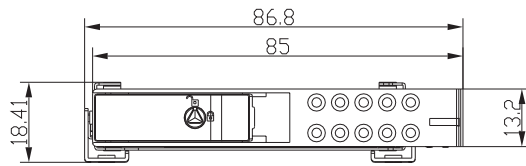
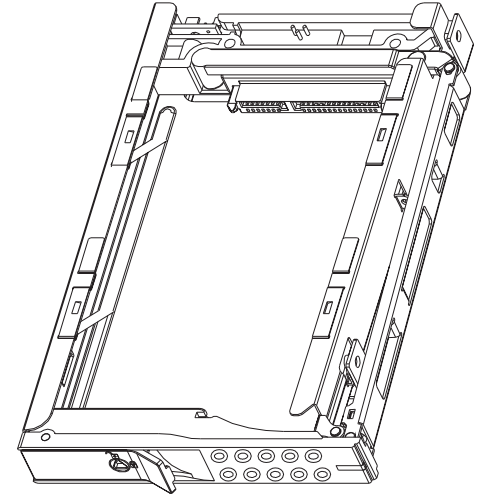
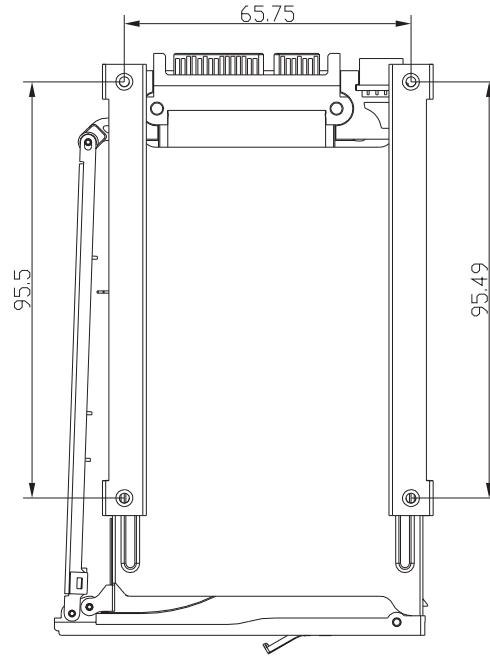
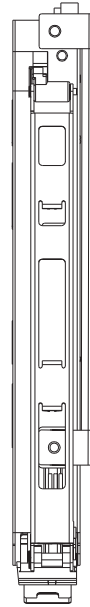
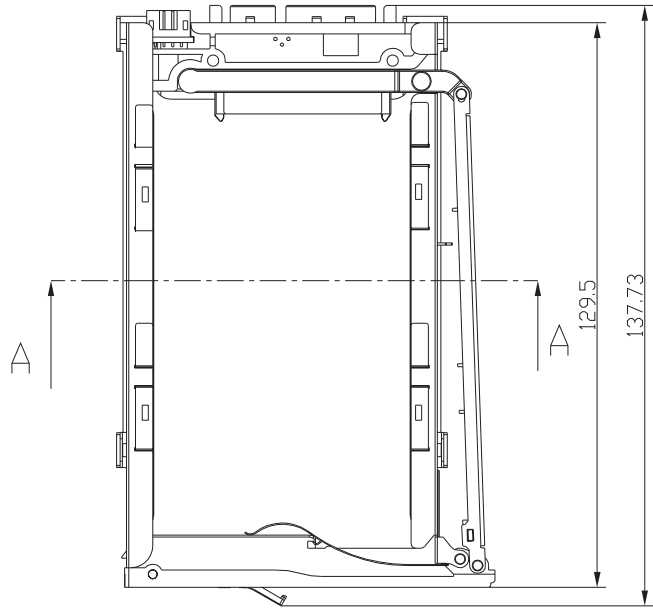


Rev.	Type	Description	App'd



! A-A

UNLESS OTHERWISE SPECIFIED TOLERANCE .XX ± 0.3 .X ± 0.5 ANGLE ± 1°	APPROVED BY:	iStarUSA™			
	CHECKED BY:				
	DRAWING BY: Jack 2013-05-131	TITLE: T-C25HD-DE			
DO NOT SCALE DRAWING	MATERIAL:	PART NO:	DWG NO:		
SHEET 1 OF 1	SIZE: A4	PROJECTION:	UNIT: MM	SCALE: 1:1	REV: 1.0