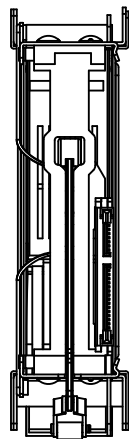
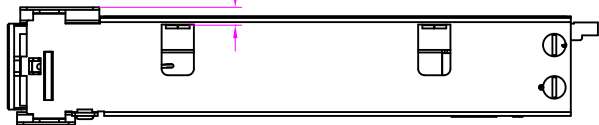


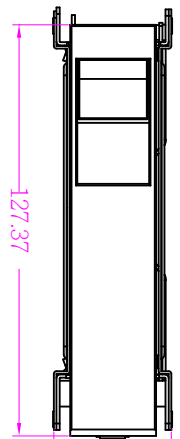
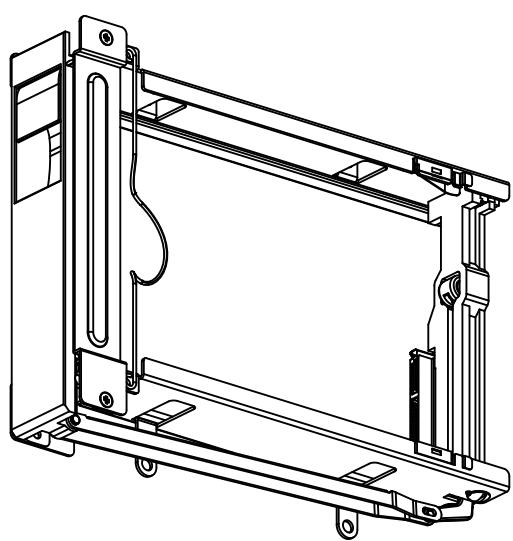
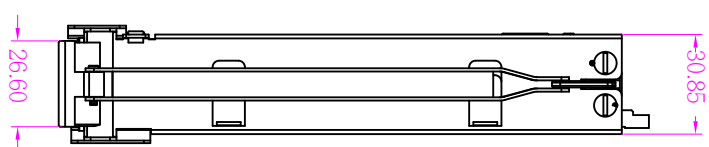
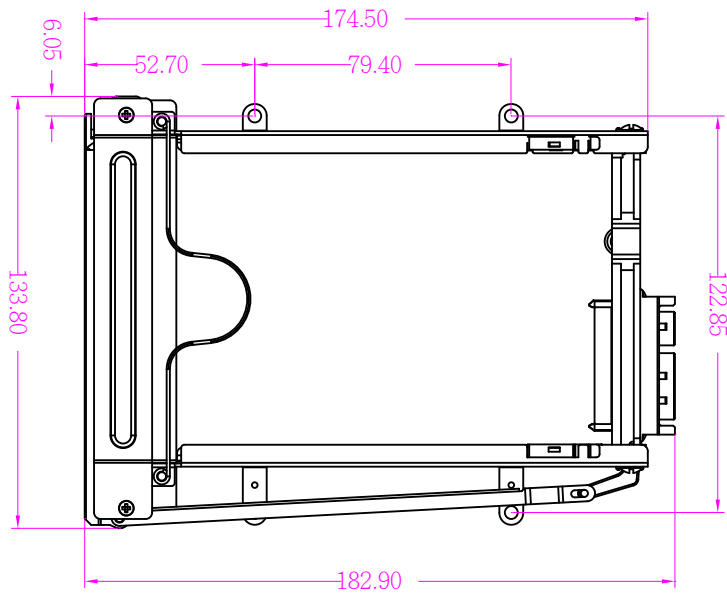
Rev	ECON NO.	DESCRIPTION	MAIN MINOR	DATE	APPD.
A		ISSUED	YES		



122.85



5.55



127.37

36.4 ±0.50

NOTE:
 1. T-C35HD-TLA 硬碟抽取盒
 2. 规格说明
 塑胶材料: ABS757 抽粒料
 左,右支架: SUS430 不锈钢 T=1.0mm
 上,下支架: SECC 电解板 T=0.8mm
 3. 表面处理,颜色
 塑胶: 门,门把手---直接射出黑色,拉丝
 横梁-----直接射出乳白色
 左,右支架: 亮面冲压
 上,下支架: SECC原色冲压

X.	±1.00	X.°	±1.50°	NAME(INTENDED USE): PART NO. (INTENDED USE): istarUSA™ T-C35HD-TLA
.X	±0.50	.X°	±1.00°	
.XX	±0.25	.XX°	±0.50°	
.XXX	±0.05	.XXX°	±0.10°	
.XXX	±0.05	.XXX°	±0.10°	
THESE DIMENSIONS AND SPECIFICATIONS ARE THE PROPERTY OF WINSONG CO., LTD AND SHALL NOT BE REPRODUCED COPIED OR USED IN ANY MANNER WITHOUT THE PRIOR WRITTEN CONSENT OF WINSONG CO., LTD.				FINISH: Q'TY:
APPD. DATE:		DATE:		DWG NO.: Rev
CHKD. DATE:		DATE:		
DRAW: Revised 2010-6-21		DATE:		
SCALE:		SHEET:		/

istarUSA™

T-C35HD-TLA

DWG NO.:
Rev

SHEET /