

# T-CA225-U2

Custom Size 2x 2.5" U.2 NVMe SSD Hot-swap Rack



## Features

- 2xU.2 (SFF-8643) interface
- 2 X 2.5" NVMe U2 SSD (32Gbps)
- Mechanical lock keeps HDD working securely
- LED indicator let users check working status any time

## Specifications

<b>Model Number</b>	<b>Color of Main Chassis</b>
T-CA225-U2	Black
<b>RoHS Compliance</b>	
YES	
<b>Standard Drive Bays</b>	<b>Dimensions (WxHxD)</b>
None	Width 2.85" ( 72.4 mm ) Height 1.57" ( 39.9 mm ) Depth 5.66" ( 143.8 mm )
<b>Hotswap HDD Type:</b>	
2.5" U.2 NVMe SSD	
<b>Indicators</b>	
Power and HDD activity	
<b>Security</b>	
Key Lock	
<b>Material of Main Chassis</b>	
Metal	

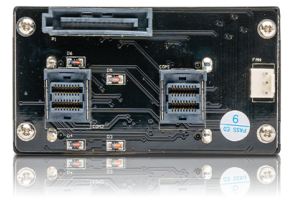
## Front View



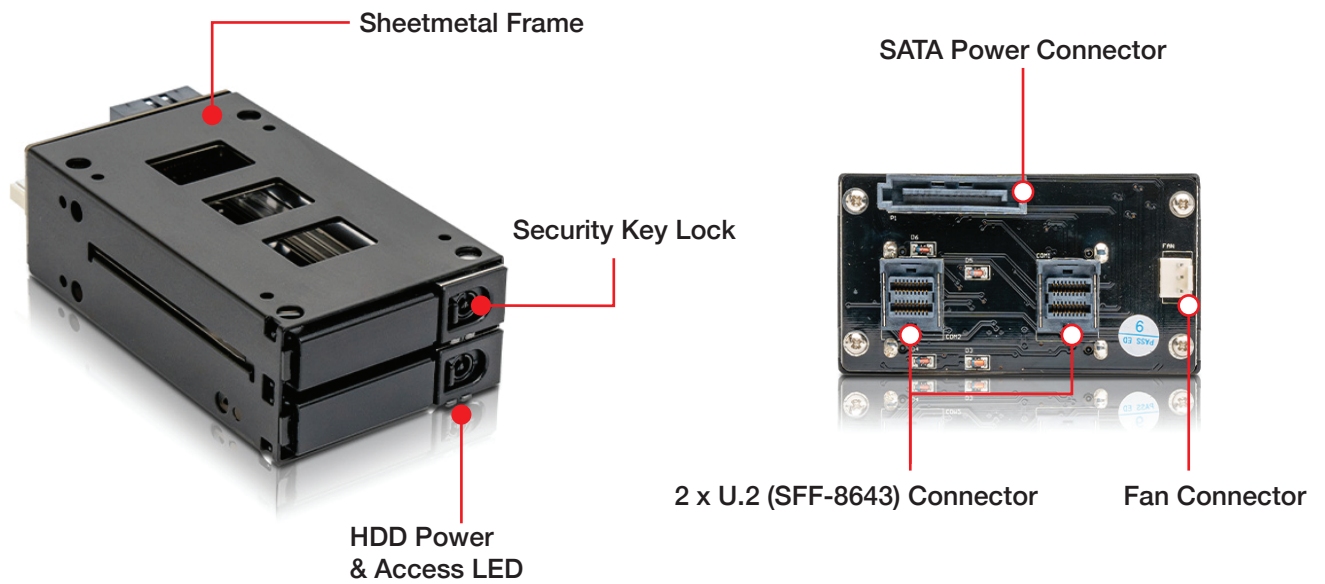
## Feature View



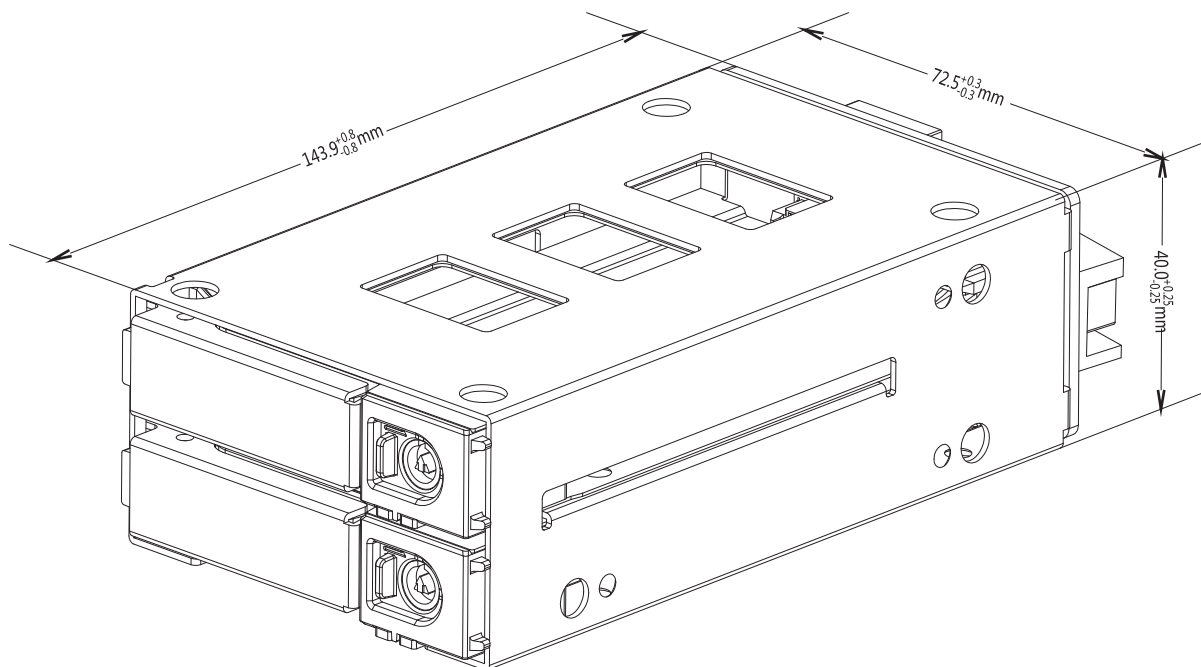
## Rear View



We at iStarUSA Group offer OEM/ODM services for Industrial Power, Custom Power, Chassis, Cabinets, and Data Storage. Through our skilled metal bending, milling, and silk screening we can provide you with unique customizations that will make your product stand out from the rest. With iStarUSA Group's OEM/ODM Solutions you can be sure to receive one-of-a-kind products for your one-of-a-kind business.



### Dimensions



### Ordering Information

Model	Description
T-CA225-U2	Custom Size 2x 2.5" U.2 NVMe SSD Hot-swap Rack