

T-CE325-HD

Custom Size 3x 2.5" 12Gb/s
HDD SSD Hot-swap Rack



Features

- Supports HDD Thickness 9 mm
- Supports 3x 2.5" SAS I/II/III and SATA I/II/III HDD/SSD
- Mechanical lock keeps HDD working securely
- LED indicator let users check working status any time
- High Performance Transfer Rate up to 12Gb/s

Specifications

Model Number	Color of Main Chassis
T-CE325-HD	Black
RoHS Compliance	
YES	
Standard Drive Bays	Dimensions (WxHxD)
None	Width 2.85" (72.4 mm) Height 1.58" (40.1 mm) Depth 5.53" (140.5 mm)
Hotswap HDD Type:	
3x2.5" SAS I/II/III & SATA I/II/III HDD/SSD	
Indicators	
Power and HDD activity	
Security	
Key Lock	
Material of Main Chassis	
Metal	

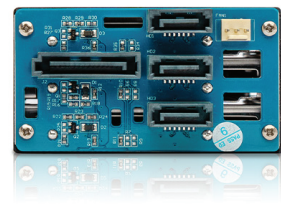
Front View



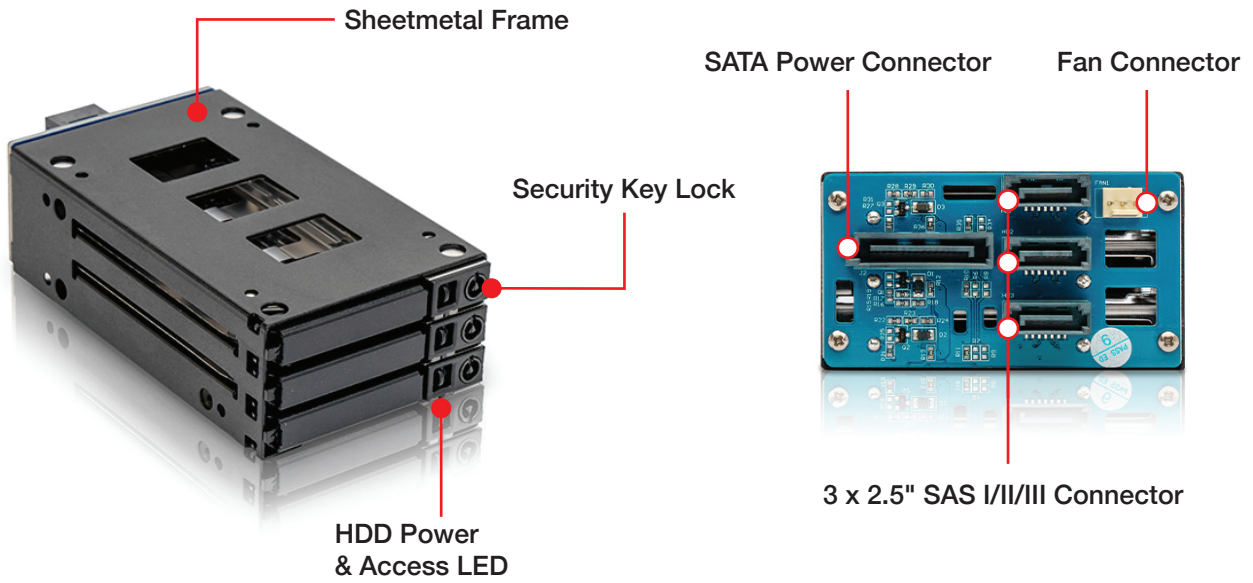
Feature View



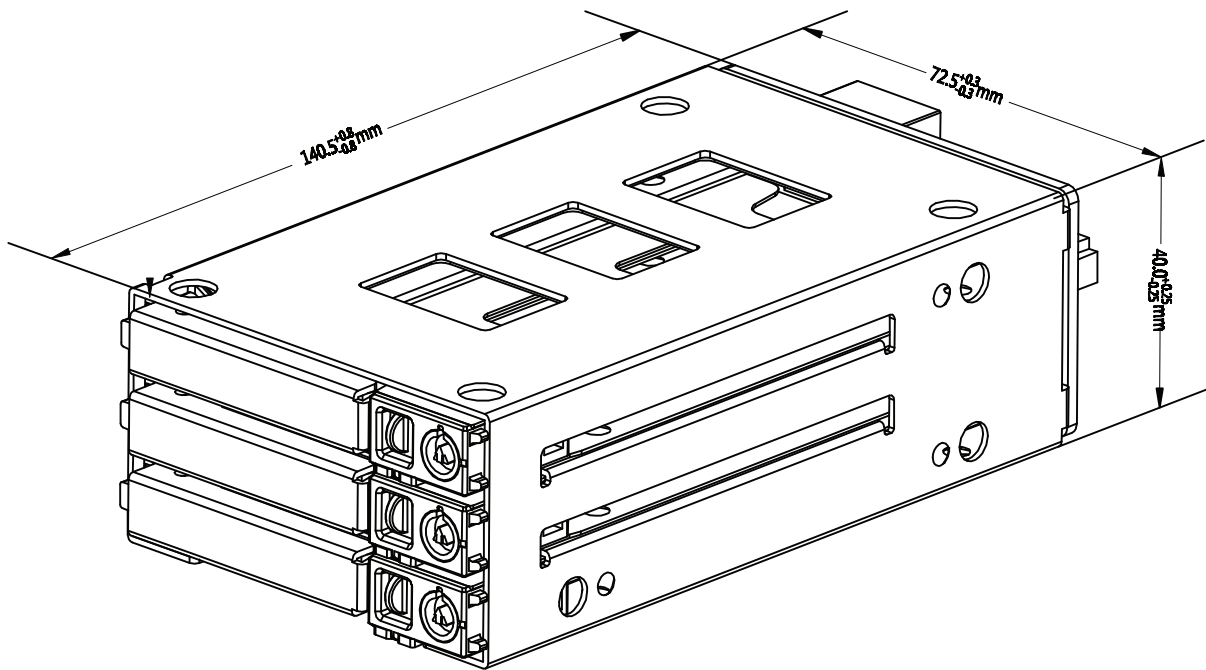
Rear View



We at iStarUSA Group offer OEM/ODM services for Industrial Power, Custom Power, Chassis, Cabinets, and Data Storage. Through our skilled metal bending, milling, and silk screening we can provide you with unique customizations that will make your product stand out from the rest. With iStarUSA Group's OEM/ODM Solutions you can be sure to receive one-of-a-kind products for your one-of-a-kind business.



Dimensions



Ordering Information

Model	Description
T-CE325-HD	Custom Size 3x 2.5" 12Gb/s HDD SSD Hot-swap Rack