

TC-1U18FX1

1U 180W Flex Power Supply



Features

- Complied with Flex ATX and ATX12V Standard
- Active Power Factor Correction (PFC) Meet EN61000-3-2
- Compatible with European Union Directive 2002/95/EC (RoHS)
- Internal 12V DC Fan
- Low Noise and Ripple
- Output Over Voltage, Short Circuit, and Over Current Protection
- 100% Hi-pot, ATE, and Burn-in Tested

Specifications

Model Number	Connector Type
TC-1U18FX1	Main Connector :: 20+4 pin/ 4pin 12V :: 1/ Molex :: 3/ SATA :: 2/ Floppy :: 1
RoHS Compliance	Dimensions (WxHxD)
YES	Width 3.20" (81.3 mm) Height 1.60" (40.6 mm) Depth 5.90" (149.9 mm)
Output Wattage	
180	

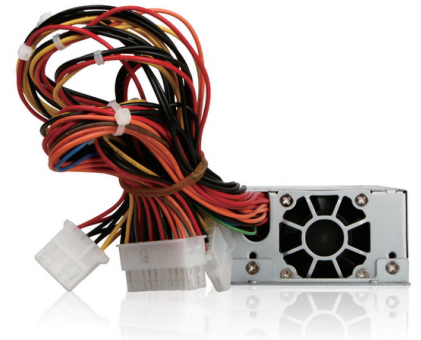
Front View



Side View

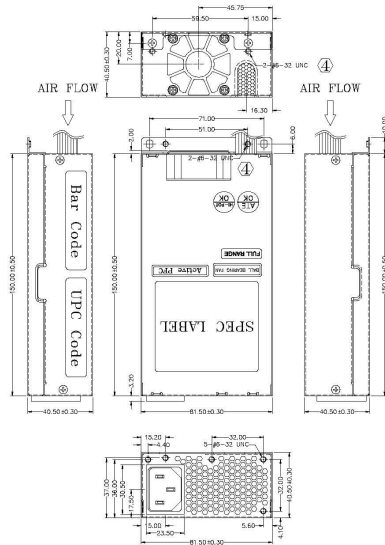


Rear View



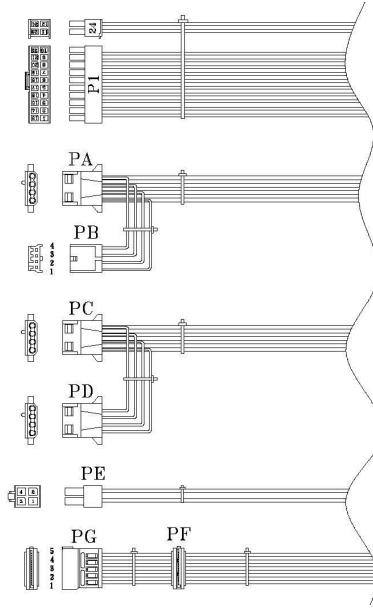
We at iStarUSA Group offer OEM/ODM services for Industrial Power, Custom Power, Chassis, Cabinets, and Data Storage. Through our skilled metal bending, milling, and silk screening we can provide you with unique customizations that will make your product stand out from the rest. With iStarUSA Group's OEM/ODM Solutions you can be sure to receive one-of-a-kind products for your one-of-a-kind business.

Dimensions



NOTE:
1. ALL THE LENGTH OF OUTPUT WIRES EXCLUDE HOUSING.

UNIT:mm



REF. #	WIRE COLOR	WIRE GAUGE	WIRE TYPE	CONNECTION TYPE	LENGTH
1	+3.3V	ORANGE	20	AMP	200±10 mm
2	+5V	ORANGE	20	AMP	200±10 mm
3	COM	BLACK	20	AMP	200±10 mm
4	+5V	RED	20	AMP	200±10 mm
5	COM	BLACK	20	AMP	200±10 mm
6	+5V	RED	20	AMP	200±10 mm
7	COM	BLACK	20	AMP	200±10 mm
8	PG-02	GRAY	24	AMP	200±10 mm
9	+5Vsb	PURPLE	20	AMP	200±10 mm
10	+12V	YELLOW	20	AMP	200±10 mm
11	+12V	YELLOW	20	AMP	200±10 mm
12	+3.3V	ORANGE	20	AMP	200±10 mm
13	+3.3V	ORANGE	20	AMP	200±10 mm
14	-18V	BLUE	24	AMP	200±10 mm
15	COM	BLACK	20	AMP	200±10 mm
16	PG-01	GREEN	24	AMP	200±10 mm
17	COM	BLACK	20	AMP	200±10 mm
18	COM	BLACK	20	AMP	200±10 mm
19	COM	BLACK	20	AMP	200±10 mm
20	COM	BLACK	20	AMP	200±10 mm
21	+5V	RED	20	AMP	200±10 mm
22	+5V	RED	20	AMP	200±10 mm
23	+5V	RED	20	AMP	200±10 mm
24	COM	BLACK	20	AMP	200±10 mm
1	+12V	YELLOW	20	AMP	200±10 mm
2	COM	BLACK	20	AMP	200±10 mm
3	COM	BLACK	20	AMP	200±10 mm
4	+5V	RED	20	AMP	200±10 mm
1	+12V	YELLOW	20	AMP	200±10 mm
2	COM	BLACK	20	AMP	200±10 mm
3	COM	BLACK	20	AMP	200±10 mm
4	+5V	RED	20	AMP	200±10 mm
1	+12V	YELLOW	20	AMP	200±10 mm
2	COM	BLACK	20	AMP	200±10 mm
3	COM	BLACK	20	AMP	200±10 mm
4	+5V	RED	20	AMP	200±10 mm
1	COM	BLACK	20	AMP	200±10 mm
2	COM	BLACK	20	AMP	200±10 mm
3	+12V	YELLOW	20	AMP	200±10 mm
4	+12V	YELLOW	20	AMP	200±10 mm
1	+3.3V	ORANGE	20	AMP	200±10 mm
2	COM	BLACK	20	AMP	200±10 mm
3	+5V	RED	20	AMP	200±10 mm
4	COM	BLACK	20	AMP	200±10 mm
5	+12V	YELLOW	20	AMP	200±10 mm
1	+3.3V	ORANGE	20	AMP	200±10 mm
2	COM	BLACK	20	AMP	200±10 mm
3	+5V	RED	20	AMP	200±10 mm
4	COM	BLACK	20	AMP	200±10 mm
5	+12V	YELLOW	20	AMP	200±10 mm

FSP P/N.:9PA1803502
SPI P/N.:SPI180LE

Compatible Chassis

* Please visit our website www.istarusa.com/en/xeal for a full list of compatible chassis

Output Rating

Output	Nominal	Regulation	Ripple/Noise	Min	Max
1	+3.3V	±5%	50mV	0.3A	14.0A
2	+5V	±5%	50mV	0.3A	16.0A
3	+12V	±5%	120mV	1.5A	14.0A
4	-12V	±10%	120mV	0.0 A	0.5A
5	+5Vsb	±5%	50mV	0.0 A	2.0A