



Powered by IStarUSA® Group

TC-1U30FX2

TC-1U30FX2

1U Flex ATX Power Supply

(1U 300W Flex Power)

SPECIFICATION

Revision: 1.0

727 Phillips Drive, City of Industry CA 91748 USA

WWW.XEAL.COM.TW

TEL: 626-303-8885 FAX: 626-301-0588

1. Introduction	3
1.1 Scope	3
1.2 General Description	3
2. AC Input	3
2.1 Voltage Range	3
2.2 Frequency Range	3
2.3 Input Waveform	3
2.4 Input Current	3
2.4.1 Steady-state Current	3
2.4.2 Cold Start Inrush Current	3
2.4.3 Warm Start Inrush Current	3
2.4.4 Input Over current Protection	4
2.4.5 Withstand Voltage	4
2.4.6 Catastrophic Failure Protection	4
3. DC Output	5
3.1 Output Rating	5
3.2 Output Regulation	5
3.2.1 Output Voltage Load Regulation	6
3.2.2 Output Voltage Line Regulation	6
3.3 Efficiency	7
3.5 Voltage Hold-up Time	7
3.6 Power Sequencing	7
3.7 Timing / Housekeeping / Control	8
3.7.1 PWR_OK	7
3.7.2 PS_ON # Signal	8
3.7.3 +5VSB	8
3.7.4 Power –on Time	8
3.7.5 Output Rise time	8
3.7.6 Overshoot at Turn-on / Turn-off	8
3.7.7 Reset after Shutdown	8
3.8 Output Protection	9
3.8.1 Over Current Protection	9
3.8.2 Over Voltage Protection	10
3.8.3 Short Circuit Protection	10

4. General Specification 11

- 4.1 Physical Dimension and DC Connector11
- 4.2 DC Connector Pin Description 12
- 4.3 Environmental 12
 - 4.3.1 Operating 12
 - 4.3.2 None Operating 12
- 4.4 Fan Control Function 12
- 4.5 Reliability / Mean Time Between Failure (MTBF) 13

1. Introduction

1.1 Scope

This specification defines the performance and characteristic for the model of TC-1U30FX2 power supply.

1.2 General Description

TC-1U30FX2 is a 300W switching power supply, with an FLEX-ATX form factor,+5V standby voltage, remote on/off, dual line input capability.

2. AC Input

2.1 Voltage Range

Voltage range: 100VAC ~ 240VAC

2.2 Frequency Range

Frequency range: 47Hz – 63Hz

2.3 Input Voltage Waveform

Input Voltage waveform: Sine wave, modified sine wave or square wave

2.4 Input Current

2.4.1 Steady-state Current

Maximum current at 115 VAC (RMS): 5.0A

Maximum current at 230 VAC (RMS): 2.5A

2.4.2 Cold Start Inrush Current

Maximum inrush current at 115 VAC: 40A

Maximum inrush current at 230 VAC: 50A

* Measured at 25°C ambient cold start.

2.4.3 Input Over current Protection

The power supply is equipped with a non-reset-able fuse on the AC input to limit power consumption on a failure within the power supply module.

Input Fuse Rating:

Voltage	250 V
Current	6.3A
De-activation time	300 ms

2.4.4 Withstand Voltage

The power supply is capable of withstanding a maximum 2200 VDC potential between the input and ground for a period of 1 minute.

2.4.5 Catastrophic Failure Protection

If a component failure occurs, the power supply will not exhibit any of the following:

- * Flame
- * Excessive smoke
- * Charred PCB
- * Fused PCB conductor
- * Startling noise
- * Emission of molten material

3. DC Output

3.1 Output Rating

Output	Nominal	Regulation	Ripple/Noise	Min	Max
1	+3.3V	± 5%	50mV	0.5A	22A
2	+5V	± 5%	50mV	0.5A	16A
3	+12V	± 5%	120mV	1.0A	20A
4	-12V	± 10%	120mV	0.0A	0.5A
5	-5V	± 5%	50mV	0.0A	0.3A
6	+5VSB	± 5%	50mV	0.0A	2.5A

Notes:

- (1) The maximum continuous total DC outputs power shall not exceed 300W.
- (2) The maximum continuous load on +5V and +3.3V outputs shall not exceed 110W
- (3) When the combined load for the +12V and +3.3V is over 150w, +5V min load is 2A.

(4) the specified DC voltage output. In either case, noise is within the frequency range of 20MHz and specifications are rated over the full output range for the power supply.

Table 1. DC Output Specifications

3.2 Output Regulation

The DC voltage outputs will stay within the regulation band as measured at the terminal outputs due to any combination of the following conditions:

- Input voltage fluctuations
- Specified load range
- Centering
- Specified environmental conditions
- Changing load steps

3.2.1 Output Voltage Line Regulation

The following table specifies line regulation as measured from minimum to maximum load including the transient response requirements as detailed in this document.

DC Nominal Output	Output Voltage Tolerance
+12V DC	±1%
+5V DC	±1%
+3.3V DC	±1%
-12V DC	±1%
+5V SB	±1%

Table 3. DC Output Tolerance Specifications

3.3 Efficiency

80% minimum at 115VAC, 300W Output

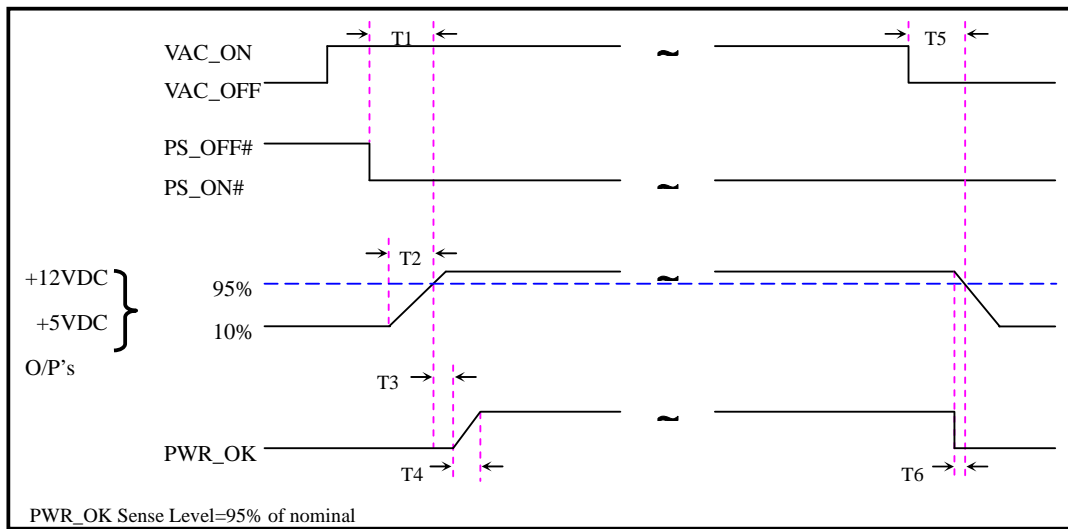
3.4 Voltage Hold-up Time

All output will stay within regulation for at least 17ms after an AC line voltage failure is detected at nominal line (115VAC or 230VAC) under 70% full load condition.

3.5 Power Sequencing

All outputs, regardless of loading, turn on within 50ms of each other. The 5VSB output is in regulation for a minimum of 10ms prior to the other output rails reaching regulation.

3.6 Timing / Housekeeping / Control



$T1 < 500\text{ms}$
$0.1\text{ms} \leq T2 \leq 20\text{ms}$
$100\text{ms} < T3 < 500\text{ms}$
$T4 \leq 100\mu\text{s}$
$T5 \geq 17$
$T6 \geq 1\text{ms}$

Figure 1 Power Supply Timing

3.6.1 PWR_OK

The power supply accepts a logic collector level which will disable/enable all the output voltages. As the logic level is low, output voltages are enable; As the logic level is high, output voltages are disable. The definition of logic low/high level is as:

High Level: 2.50V ~ 5.25V while sourcing 0.4mA maximum

Low Level: 0.0V ~ 0.50V while sinking 5.0mA maximum

Rise Time: 3.0ms maximum (10.0% ~ 90.0%)

3.6.2 PS_ON# Signal

The power supply provides an internal pull-up to TTL high. The power supply also provides debounce circuitry on PS_ON# to prevent it from oscillating on/off at startup when activated by a mechanical switch. The DC output enable circuitry is SELV-complaint.

	Min.	Max.
V _{IL} , Input Low Voltage	0.0V	0.8V
V _{IL} , Input Low Current (V _{in} = 0.4 V)		-1.6mA
V _{IH} , Input High Voltage (I _{in} = -200 μ A)	2.0V	
V _{IH} , open circuit, I _{in} = 0		5.25V

Table 8. PS_ON# Signal Characteristics

3.6.3 +5VSB

The +5VSB is capable of delivering a maximum of 2.5A at +5V \pm 5% to external circuit. The power supply +5VSB is with over current protection.

3.6.4 5vsb Power-on Time

. The +5VSB has a power-on time of two seconds maximum after application of valid AC voltages. (Figure 1)

3.6.5 Output Rise time

The output voltages rise from \leq 10% of nominal to within the regulation ranges within 0.1ms to 20ms ($0.1\text{ms} \leq T_2 \leq 20\text{ms}$). (Figure 1)

3.6.6 Overshoot at Turn-on / Turn-off

Any overshoot at turn on or turn off is under 10% of the nominal DC output voltage with further stipulation that all DC outputs are within their specified DC voltage ranges before the generation of the power good signal. Additionally, no voltage may undershoot or overshoot once the

power good signal has been asserted.

3.6.7 Reset after Shutdown

The power supply latches into a shutdown state because of a fault condition on its outputs, the power supply returns to normal operating after the fault has been removed and the PS_ON# (or AC input) has been cycled OFF/ON with a minimum OFF time of 1 second.

3.7 Output Protection

Each DC output is protected from over voltage, over current and short circuit. The following sections include the details for these protection mechanisms.

3.7.1 Over Current Protection

The power supply DC outputs are protected from supplying output current above the maximum ratings defined in Table 1, and when output power is less than 240VA. With the exception of the 5VSB output, all DC outputs are latched off in the event of an over-current event on any of the DC outputs. In the event of a short circuit on any output, except the 5VSB rail, all outputs are disabled and remain disabled until the power supply is powered off back on. The 5VSB rail will recover upon removal of the over current condition.

3.7.2 Over Voltage Protection

The over voltage sense circuitry and reference reside in packages that are separate and distinct from the regulator control circuitry and reference. No single point fault is able to cause a sustained over voltage condition on any or all outputs. The power supply provides latch-mode over voltage protection defined as:

+5V output is between 5.7V to 6.5V

+12V output is between 13.3V to 15.5V

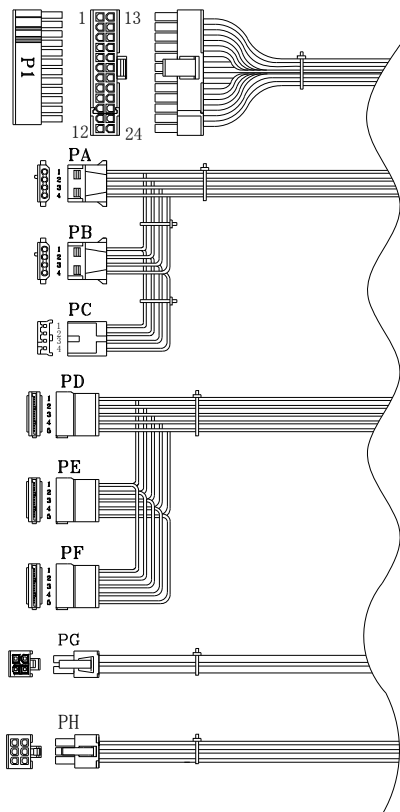
+3.3V output is between 3.7V to 4.5V

3.7.3 Short Circuit Protection

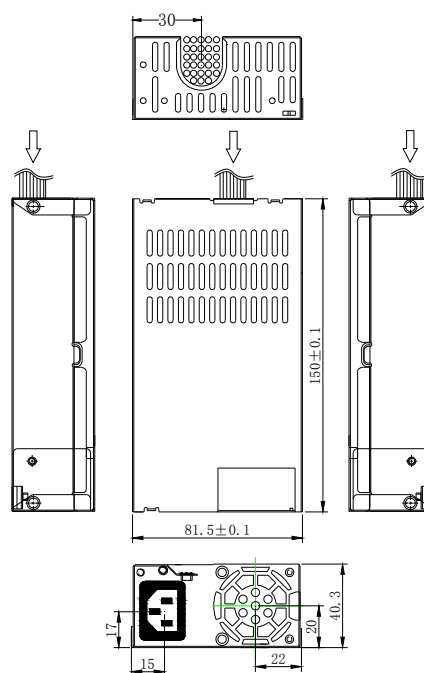
The power supply DC outputs are protected from damage due to faults, when any output shorts to ground. In the event of a short circuit on any output, all outputs shall be disabled and remain disabled until the power supply is powered off and back on. The 5VSB rail will recover upon removal of the over current condition.

4. General Specifications

4.1 Physical Dimension



REF. D.	PIN NO.	SIGNAL	WIRE COLOR	GAUGE	CONNECTOR TYPE	LENGTH
P1	1	+3.3V	ORANGE	18	MOLEX 99-01-5000 or EQUIV.	400±5 mm
	2	+3.3V	ORANGE	18		
	3	COM	BLACK	18		
	4	+5V	RED	18		
	5	COM	BLACK	18		
	6	+5V	RED	18		
	7	COM	BLACK	18		
	8	PS-OK	GRAY	20		
	9	+5Vsb	PURPLE	18		
	10	+12V	YELLOW	18		
	11	+12V	YELLOW	18		
	12	+3.3V	ORANGE	18		
	13	+3.3V	ORANGE	18		
	14	-12V	BROWN	20		
	15	COM	BLACK	18		
	16	PS-ON	GREEN	20		
	17	COM	BLACK	18		
	18	COM	BLACK	18		
	19	COM	BLACK	18		
	20	-5V		20		
21	+5V	RED	18			
22	+5V	RED	18			
23	+5V	RED	18			
24	COM	BLACK	18			
PA	1	+12V	YELLOW	18	AMP 4844-0 or EQUIV.	400±5 mm
	2	COM	BLACK	18		
	3	COM	BLACK	18		
	4	+5V	RED	18		
PB	1	+12V	YELLOW	18	AMP 4844-0 or EQUIV.	150±5 mm
	2	COM	BLACK	18		
	3	COM	BLACK	18		
	4	+5V	RED	18		
PC	1	+12V	YELLOW	22	MOLEX 20-87989-001 or EQUIV.	150±5 mm
	2	COM	BLACK	22		
	3	COM	BLACK	22		
	4	+5V	RED	22		
PD	1	+3.3V	ORANGE	18	MOLEX 20-87989-001 or EQUIV.	400±5 mm
	2	COM	BLACK	18		
	3	+5V	RED	18		
	4	COM	BLACK	18		
	5	+12V	YELLOW	18		
PE	1	+3.3V	ORANGE	18	MOLEX 20-87989-001 or EQUIV.	150±5 mm
	2	COM	BLACK	18		
	3	+5V	RED	18		
	4	COM	BLACK	18		
	5	+12V	YELLOW	18		
	6	+12V	YELLOW	18		
PF	1	+3.3V	ORANGE	18	MOLEX 20-87989-001 or EQUIV.	150±5 mm
	2	COM	BLACK	18		
	3	+5V	RED	18		
	4	COM	BLACK	18		
	5	+12V	YELLOW	18		
PG	1	COM	BLACK	18	MOLEX 20-87989-001 or EQUIV.	400±5 mm
	2	COM	BLACK	18		
	3	+12V	YELLOW	18		
	4	+12V	YELLOW	18		
PH	1	COM	BLACK	18	MOLEX 20-87989-001 or EQUIV.	400±5 mm
	2	COM	BLACK	18		
	3	COM	BLACK	18		
	4	COM	BLACK	18		
	5	+12V	YELLOW	18		
	6	+12V	YELLOW	18		



公差:	±0.2	品名:		料号:	
比例:	1:1	制定者:		规格:	
适用机种	单位: mm	审核者:		图号:	
		核准者:		日期:	2011-11-08
				图框:	A4

4.2 Environmental

4.2.1 Environmental (Operating)

Temperature: 0°C to 40°C

Humidity: 20% to 80% Relative Humidity (non condensing)

Altitude: -61meters to +3,048 meters

Shock: T.B.S.

Vibration: T.B.S.

4.2.2 Environmental (Non-Operating)

Temperature: -25°C to 85°C

Humidity: 10% to 90% Relative Humidity (non condensing)

Altitude: -61meters to +15,244 meters

Shock: T.B.S.

Vibration: T.B.S.

4.3 Fan Control Function (Optional)

In order to prolong the fan's life cycle, the power supply is facilitated with a thermostatic circuitry to monitor the fan speed under the power supply operating temperature.

4.4 Reliability / MTBF

The power supply reliability is based on the calculation with the Part-Stress Analysis method of MIL-HDBK-217F using the quality factors listed in MIL-HDBK-217F. The power supply MTBF is 250,000 hours under the following conditions:

- Full-rated load
- 120VAC input
- Ground begin
- 25°C ambient

4.5 MTBF

MTBF (mean time between failures) calculation

The demonstrated MTBF shall be 100,000 hours of continuous operation at 25°C, full load, 80% confidence limit and nominal line. The MTBF of the power supply be calculated in accordance with MIL-HDBK-217F. The DC FAN is not included.