

## ACOUSTIC EMISSIONS TEST

Serial No: 00001

Model Name: TC-1U46PD8

Date: 2007/02/12

Stage: B-TEST

Environment: 25°C

Inspector: Jam Wang

### 1. Specification:

None

### 2. Test Condition:

AC Input: 230VAC.

Frequency: 50Hz.

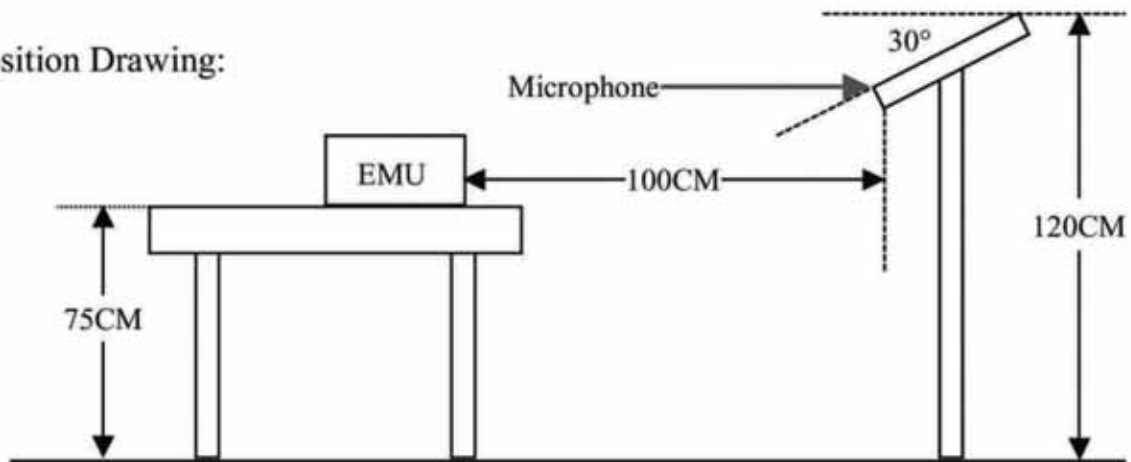
Ambient Temp: 25.2°C

Relative Humidity: 50%R.H.

Background Noise: 15.3dB.

+5V(A)	+12V1(A)	+12V2(A)	+12V3(A)	-12V(A)	+3.3V(A)	+5Vsb(A)	Remark
0.5	1.00	1.00	1.00	0.00	0.50	0.00	Min. Load
3.34	1.62	1.62	1.62	0.1	4.0	0.5	20% Load
6.68	3.24	3.24	3.24	0.2	8.0	1.0	40% Load
10.02	4.86	4.86	4.86	0.3	12.0	1.5	60% Load
13.38	6.48	6.48	6.48	0.4	16.0	2.0	80% Load
16.7	8.1	8.1	8.1	0.5	20.0	2.5	Full Load

### Test Position Drawing:

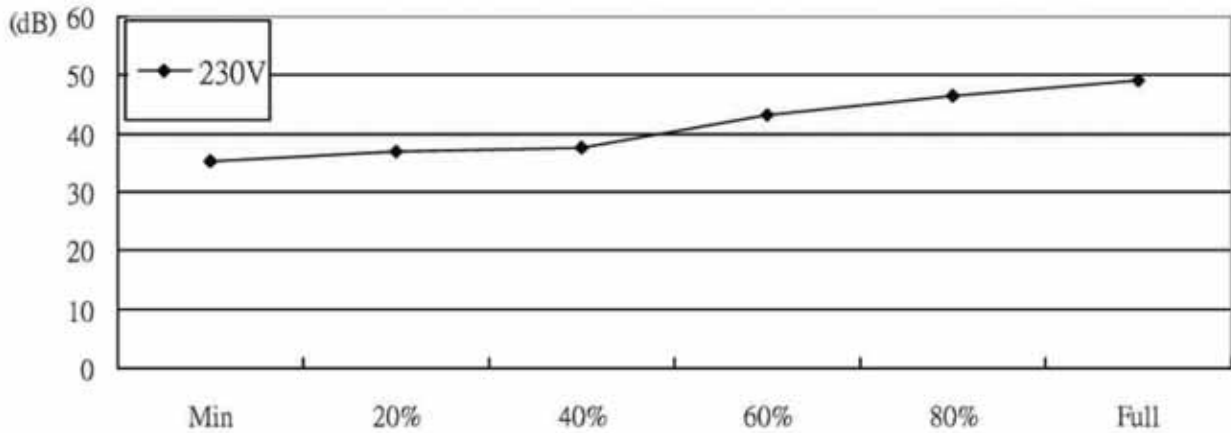


\*Warm Up Time: 15 ~ 20 Minutes / Load Condition

### 3-1. Test Record:

Vin/Fin	Load	Length	After Duration	SPEC.	Noise AVG.	TestResult
230Vac 50Hz	Min. Load	100(cm)	15~20(Minutes)	*	35.32dB	REF.
	20% Load			*	37.0dB	REF.
	40% Load			*	37.7dB	REF.
	60% Load			*	43.1dB	REF.
	80% Load			*	46.5dB	REF.
	Full. Load			*	49.1dB	REF.

### 3-2. Test Graph:



### 4. Test Result:

Ref.