

# TC-400PD8B-SFX

## 400W SFX High Efficiency Switching Power Supply



### Features

- Complies with SFX 12V Standards
- Dual 12V Rails
- High Reliability: MTBF>100,000 hours
- Protection: Over Current, Over Voltage, and Short-Circuit
- Active PFC Circuit
- Full Range Input
- High Efficiency 82% minimum
- ROHS Compliance

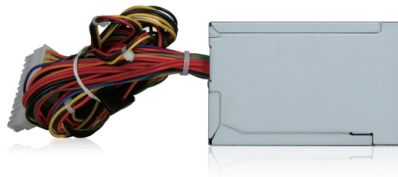
### Specifications

<b>Model Number</b>	<b>Efficiency</b>
TC-400PD8B-SFX	80%
<b>RoHS Compliance</b>	<b>Connector Type</b>
YES	Main Connector :: 20+4 pin/ 4pin 12V :: 1/ Molex :: 3/ SATA :: 2/ Floppy :: 1
<b>Output Wattage</b>	<b>Dimensions (WxHxD)</b>
400	Width 4.92" ( 125.0 mm ) Height 2.50" ( 63.5 mm ) Depth 3.94" ( 100.1 mm )

### Front View



### Side View

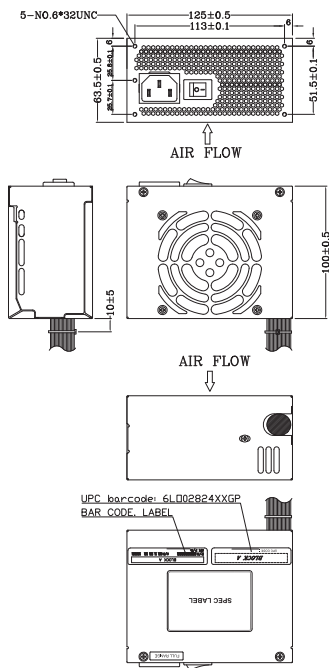


### Rear View

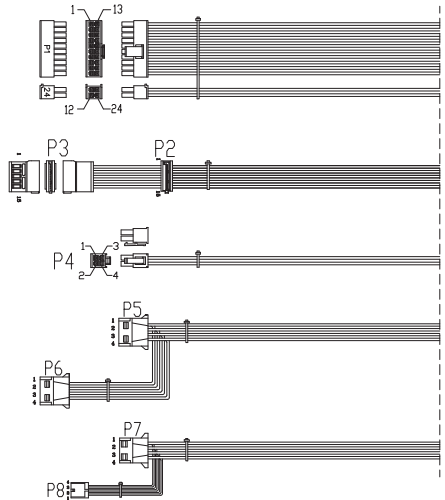


We at iStarUSA Group offer OEM/ODM services for Industrial Power, Custom Power, Chassis, Cabinets, and Data Storage. Through our skilled metal bending, milling, and silk screening we can provide you with unique customizations that will make your product stand out from the rest. With iStarUSA Group's OEM/ODM Solutions you can be sure to receive one-of-a-kind products for your one-of-a-kind business.

Dimensions



REF. ID	PIN NO.	SIGNAL	WIRE COLOR	GAUGE	CONNECTOR TYPE	CABLE LENGTH	
P1 / 24	1	+3.3VDC	ORANGE	20	WEST P20-14200211D or EQUIV.	310 ±10 mm	
	2	+3.3VDC	ORANGE	20			
	3	COM	BLACK	18			
	4	+5VDC	RED	20			
	5	COM	BLACK	18			
	6	+5VDC	RED	20			
	7	COM	BLACK	18			
	8	PW-OK	GRAY	24			
	9	+5Vsb	PURPLE	20			
	10	+12V1	YELLOW	18			
	11	+12V1	YELLOW	18			
	12	+3.3VDC	ORANGE	20			
	13	+3.3VDC	ORANGE	20			
	14	+3.3VSense	BROWN	24			
	15	-12VDC	BLUE	24			
	16	COM	BLACK	18			
	17	PS-ON#	GREEN	24			
	18	COM	BLACK	18			
	19	COM	BLACK	18			
	20						
	21	+5VDC	RED	20			
	22	+5VDC	RED	20			
	23	+5VDC	RED	20			
	24	COM	BLACK	18			
P2	1	+3.3V	ORANGE	20	MOLEX SD-67926-0011 or EQUIV.	300 ±10 mm	
	2	COM	BLACK	20			
	3	+5V	RED	20			
	4	COM	BLACK	20			
P3	1	+12V1	YELLOW	20	MOLEX SD-67582-001 or EQUIV.	170 ±10mm	
	2	COM	BLACK	20			
P4	1	+3.3V	ORANGE	20	MOLEX 39-01-2040 or EQUIV.	310 ±10 mm	
	2	COM	BLACK	16			
P5 / P7	1	+12V1	YELLOW	20	AMP 1-480424-0 or EQUIV.	310 ±10 mm	
	2	COM	BLACK	20			
	3	COM	BLACK	20			
	4	+5V	RED	20			
P6	1	+12V1	YELLOW	20	AMP 1-480424-0 or EQUIV.	170 ±10mm	
	2	COM	BLACK	20			
	3	COM	BLACK	20			
	4	+5V	RED	20			
P8	1	+5V	RED	22	AMP 171822-4 or EQUIV.	170 ±10mm	
	2	COM	BLACK	22			
	3	COM	BLACK	22			
	4	+12V1	YELLOW	22			



Compatible Chassis

\* Please visit our website [www.istarusa.com/en/xeal](http://www.istarusa.com/en/xeal) for a full list of compatible chassis

Output Rating

Output	MINIMUM LOAD	NORMAL LOAD	MAXIMUM LOAD	PEAK LOAD	LOAD REG	LINE REG	RIPPLE & NOISE
+3.3V	0.1A	10.5A	21A		±5%	±1%	70mV P-P
+5V	0.2A	11A	22A		±5%	±1%	70mV P-P
+12V1	0.1A	9A	17A		±5%	±1%	140mV P-P
+12V2	0.5A	9A	16A	19A	±5%	±1%	140mV P-P
-12V	0A	0.25A	0.5A		±10%	±1%	140mV P-P
+5VSB	0A	1.25A	2.5A	3.5A	±5%	±1%	70mV P-P