

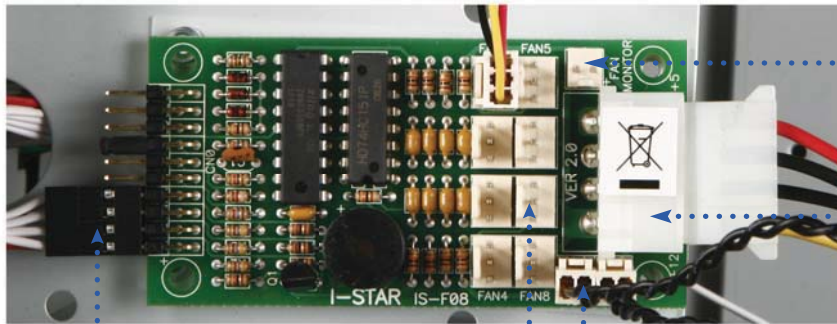


TC-ISF08

Product Details

8 Ports Fan Sensor Board install on D-400

Step 1- Plug in all the cables to the TC-ISF08 Sensor Board



Fan Monitor for Motherboard

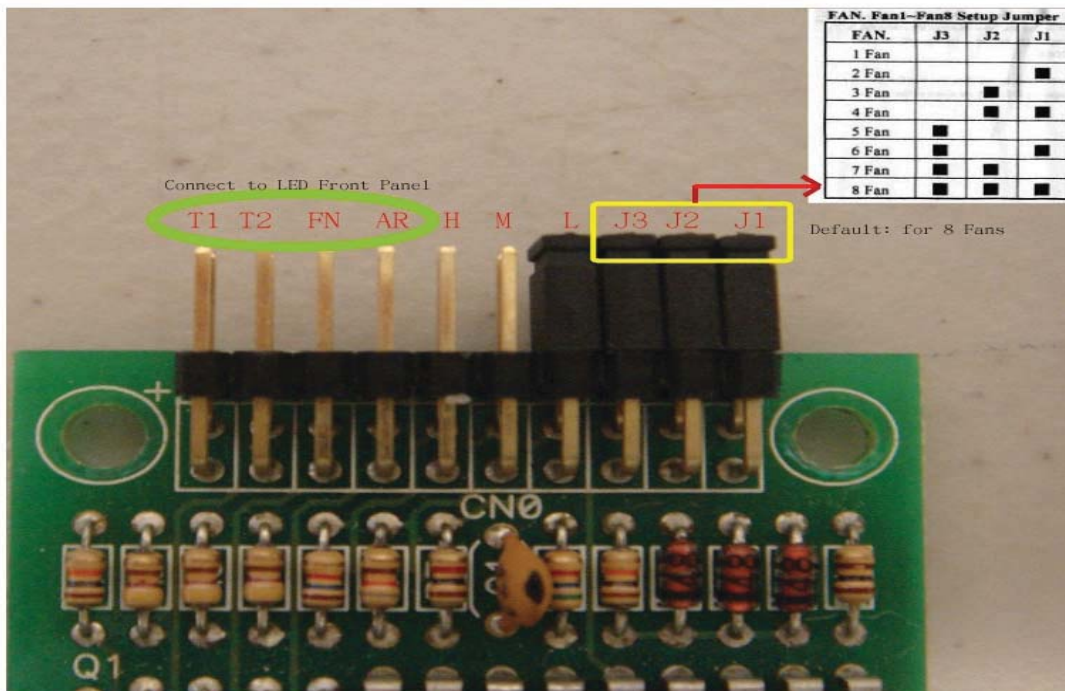
4 pin power plug

8 pin cable provided from D-400 connect to front LED panel

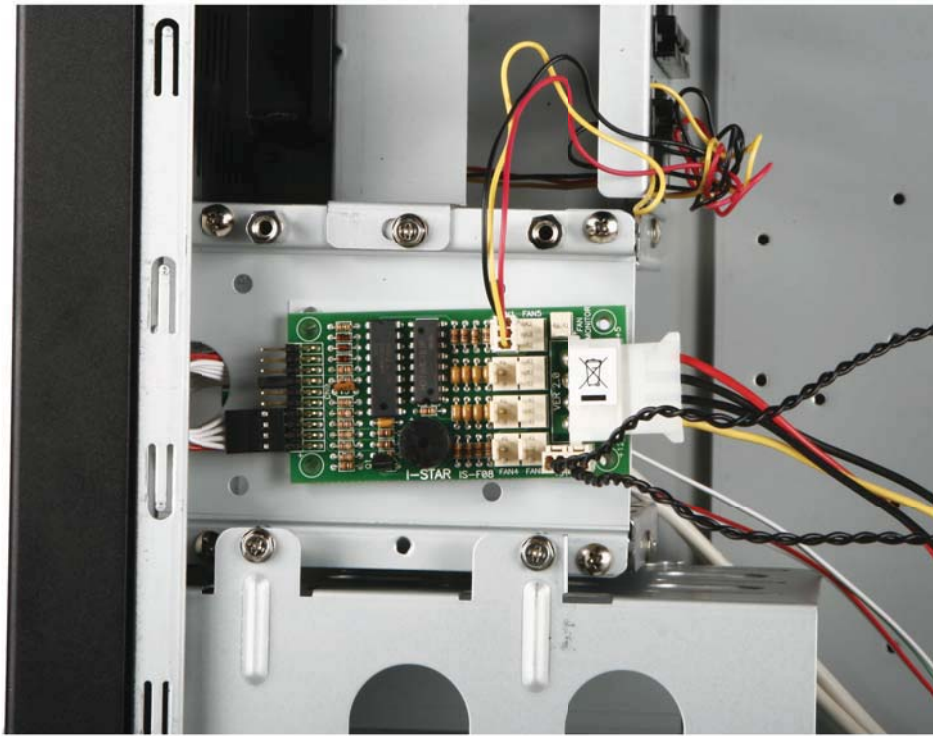
2x sensor for HDDs

8 port for fan connectors

Step 2- Set up Jumper



Step 3- Mount TC-ISF08 on to the chassis



Step 4- LED panel shows the Sensor Board is working

