

Copyright

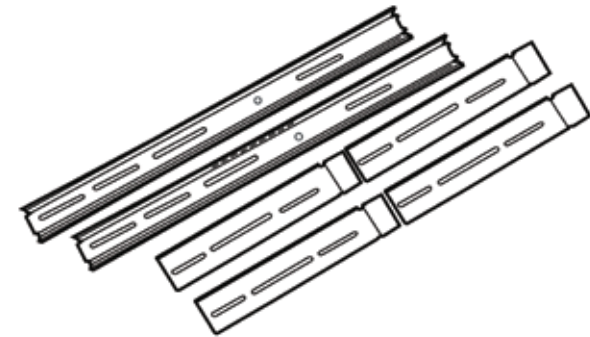
Copyright © 2012 by iStarUSA Group, all rights reserved. No part of this publication may be reproduced, transmitted, transcribed, stored in a retrieval system, translated into any language, in any form or by any means or otherwise, without the prior written permission of iStarUSA Group. 727 Phillips Dr., City of Industry, CA 91748. iStarUSA Group reserves the right to make modification and additions to this product and manual without notice or taking any liability.

Disclaimer

iStarUSA Group assumes no liability for errors or omissions in this document. Nor does iStarUSA Group make any commitment to update the information contained herein. Pictures in this document are for demonstration purpose only and may not be the same as the actual product.

TC-RAIL

INSTALLATION MANUAL



Ball bearing sliding rails built from SECC steel with length of 20, 24, and 26. The rail is built to last and can hold system weight up to 85 lbs. Easy maintenance to slide system in and out of cabinet.

Package Contents

(4) L Brackets

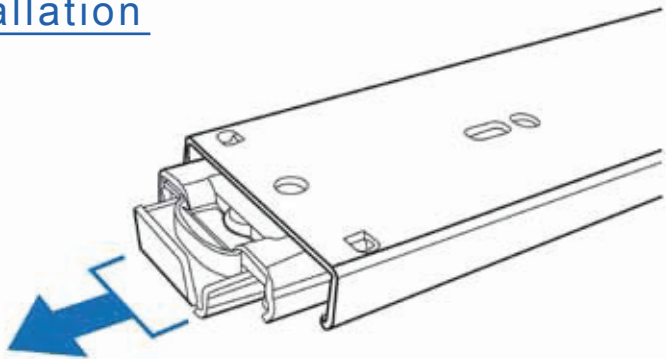
(2) Sliding Rails

Installation Guide

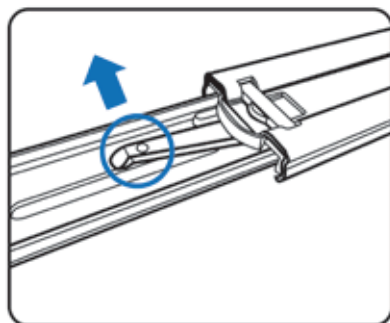
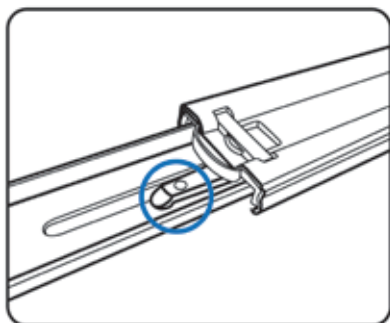
Hardware: (18) M4 Screws, (10) Washers, (8) Nuts



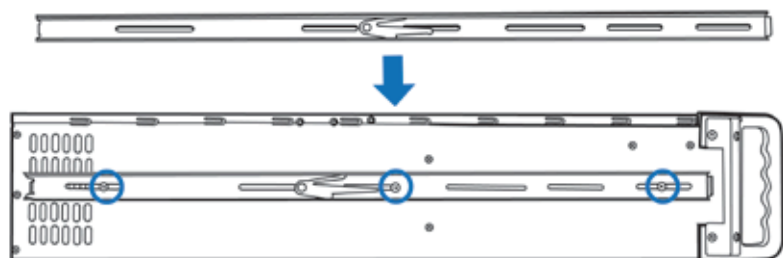
Installation



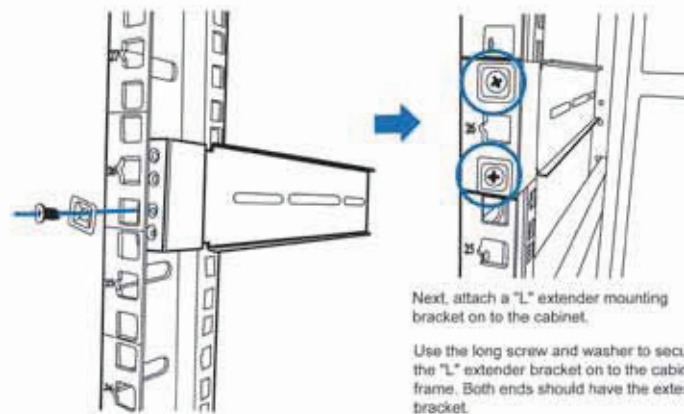
(Pull the center slide all the way out until it reaches the end)



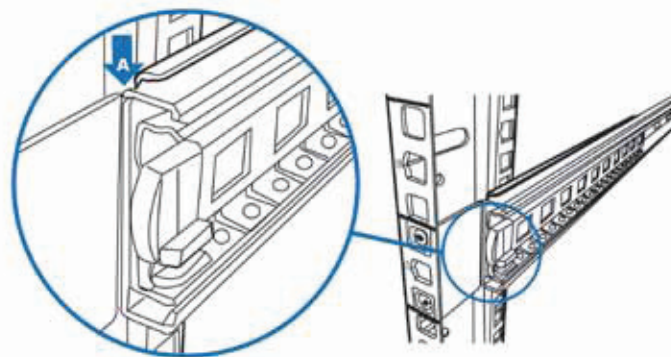
You will see a locking clip at the end point of the center slide. Push it down and unlock the center slide.



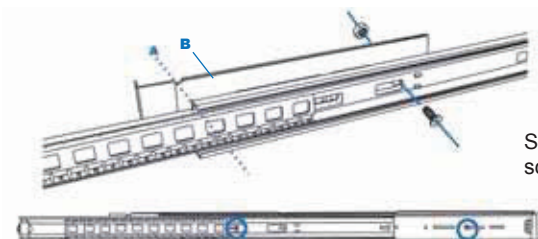
Now put the center slide right next to the rackmount chassis. You should be able to find screw holds on both sides of the chassis. Holes are used for mounting the center slide. Later, the center slide will be used for attaching the sliding rail.



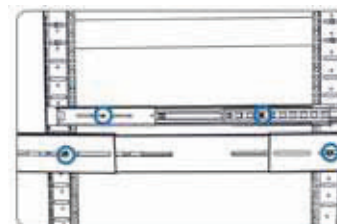
Next, attach a "L" extender mounting bracket on to the cabinet.
Use the long screw and washer to secure the "L" extender bracket on to the cabinet frame. Both ends should have the extender bracket.



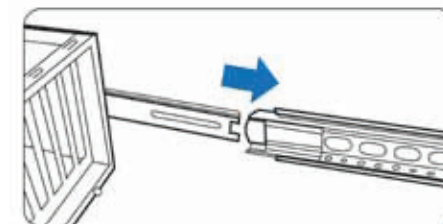
Align front outer rail to the indent of L bracket between Point A & B.



Secure outer rail to L bracket with screws and nuts.



Repeat previous steps to secure sliding rails on both sides.



Reattach inner rail back to center rail